



Chipsmall Limited consists of a professional team with an average of over 10 year of expertise in the distribution of electronic components. Based in Hongkong, we have already established firm and mutual-benefit business relationships with customers from,Europe,America and south Asia,supplying obsolete and hard-to-find components to meet their specific needs.

With the principle of “Quality Parts,Customers Priority,Honest Operation,and Considerate Service”,our business mainly focus on the distribution of electronic components. Line cards we deal with include Microchip,ALPS,ROHM,Xilinx,Pulse,ON,Everlight and Freescale. Main products comprise IC,Modules,Potentiometer,IC Socket,Relay,Connector.Our parts cover such applications as commercial,industrial, and automotives areas.

We are looking forward to setting up business relationship with you and hope to provide you with the best service and solution. Let us make a better world for our industry!



Contact us

Tel: +86-755-8981 8866 Fax: +86-755-8427 6832

Email & Skype: info@chipsmall.com Web: www.chipsmall.com

Address: A1208, Overseas Decoration Building, #122 Zhenhua RD., Futian, Shenzhen, China

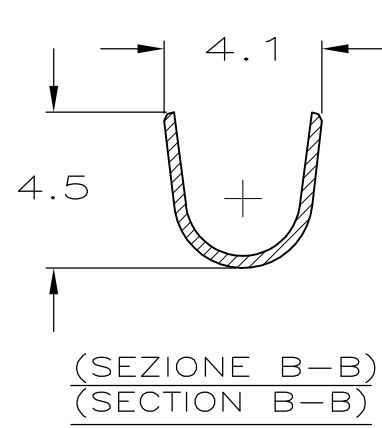
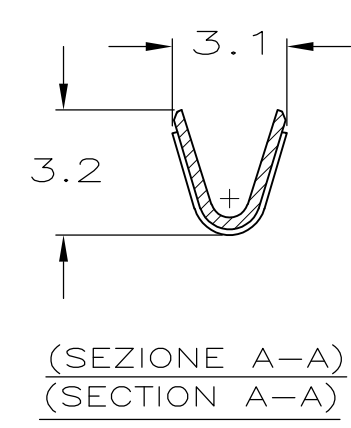
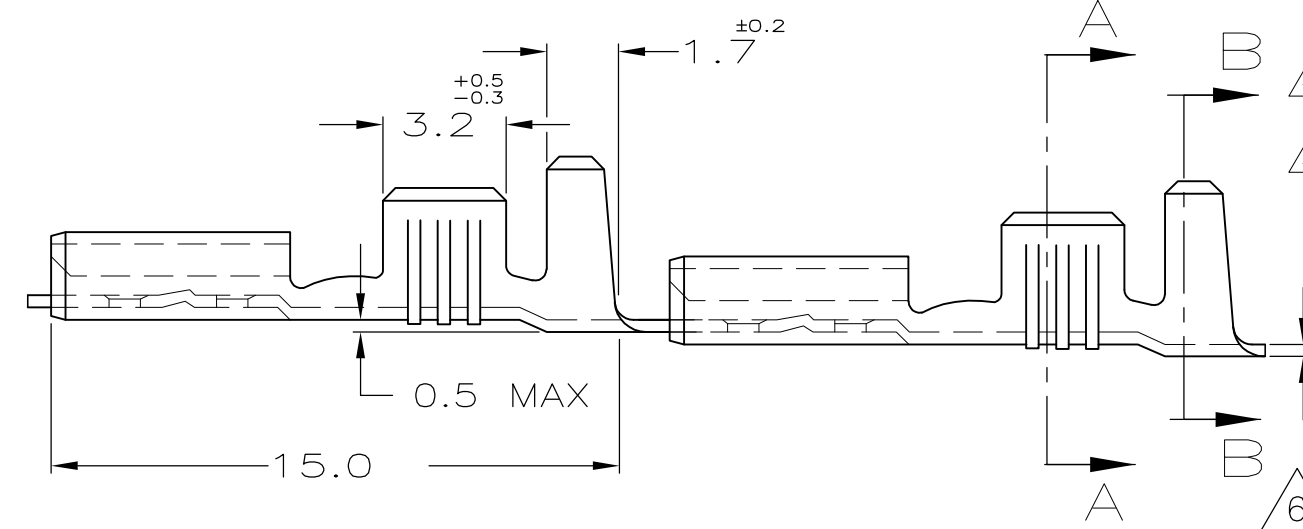
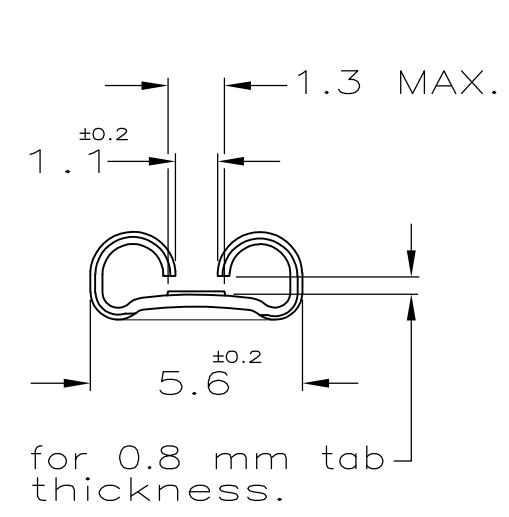
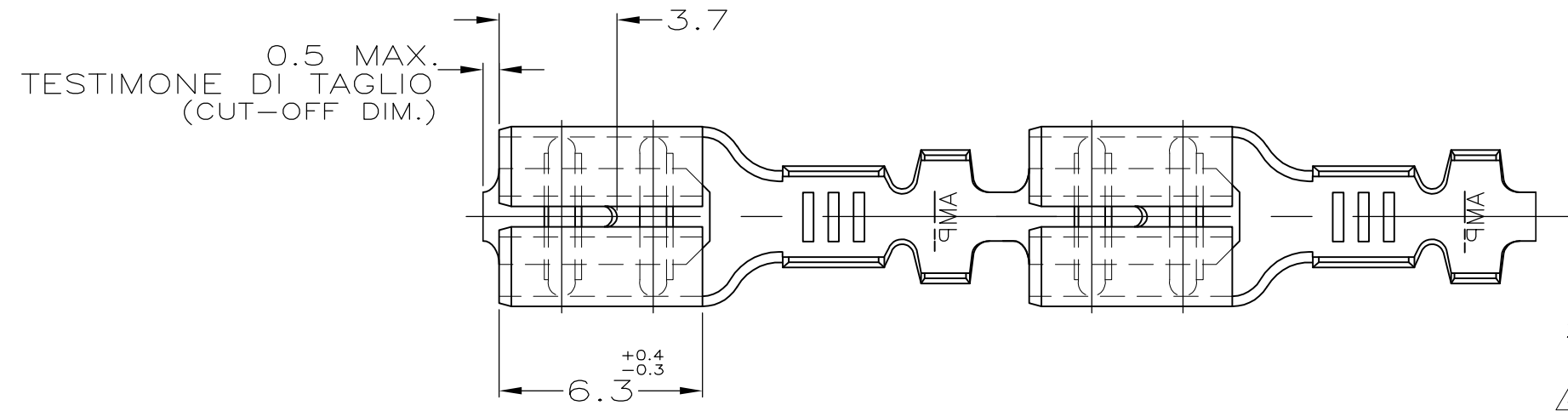


THIS DRAWING IS UNPUBLISHED.
 QUESTO DISEGNO NON DEVE ESSERE DIVULGATO O RIPRODOTTO

RELEASED FOR PUBLICATION
 E' CONSENTITA LA DIVULGAZIONE
 ALL RIGHTS RESERVED.
 TUTTI I DIRITTI SONO RISERVATI

© COPYRIGHT - By -

LOC	DIST	REVISIONS REVISIONI			
P	LTR REV	DESCRIPTION DESCRIZIONE	DATE DATA	DWN DIS.	APVD APP.
-	-	AZ7	REVISED PER ECO-11-005301	02MAR11	RK HMR



- 1) STATO DI FORNITURA - SCALA 1:1
(SUPPLY CONDITION - SCALE 1:1)
- SENSO DI USCITA DEL TERMINALE DALLA BOBINA
(DIRECTION OFF TOP OF REEL)
- 2) SPECIFICA DI PRODOTTO 108-20019
(PRODUCT SPEC. 108-20019)
- 3) PER LE VERSIONI IN PEZZI SCIOLTI VEDERE DISEGNO 160490
(FOR LOOSE PIECE VERSION SEE DRAWING 160490).
- 4) BOBINATO CON CARTA INTERPOSTA
(REELED WITH INTERLEAVE PAPER STRIP)
- 5) FABBRICATO IN TE CONNECTIVITY BRASIL, QUANTITA' PER BOBINA 15M.
(MANUFACTURED IN TE CONNECTIVITY BRASIL, Q.TY/REEL 15M).

0.32

6) OBSOLETE PARTS: OBSOLETE CIS STREAMLINING PER D.RENAUD/D.SINISI

NOTE	FINITURA/COLORE (FINISH/COLOR)	MATERIALE (MATERIAL)	NUMERO (P/N)	REV
4/5	STAGNATO (TIN PLATED)	OTTONE (BRASS)	7-160430-7	AZ
5/4	NUDO (UNPLATED)	OTTONE (BRASS)	7-160430-6	AZ
4	NUDO (UNPLATED)	OTTONE (BRASS)	6-160430-6	AZ
4	STAGNATO (TIN PLATED)	OTTONE (BRASS)	5-160430-7	AZ
4	STAGNATO (TIN PLATED)	BRONZO FOSF. (PH. BRONZE)	5-160430-6	AY
4	PRE NICHELATO (PRE NICKEL PL.)	ACCIAIO (STEEL)	5-160430-4	AZ

SUPERSEDED BY 63850-1

DIAM. ISOLANTE INSUL. RANGE	RANGO FILO WIRE RANGE
2.3-3.3mm ϕ	0.5 - 1.5mm ²

THIS DRAWING IS A CONTROLLED DOCUMENT.
 QUESTO DISEGNO E' UN DOCUMENTO CONTROLLATO.

DIMENSIONS: DIMENSIONI: mm

TOLERANCES UNLESS OTHERWISE SPECIFIED: TOLLERANZE: SE NON DIVERSAMENTE SPECIFICATO

0 PLC / DEC \pm -
 1 PLC / DEC \pm 0.3
 2 PLC / DEC \pm -
 3 PLC / DEC \pm -
 4 PLC / DEC \pm -
 ANGLES / ANGOLI \pm 2'

MATERIAL MATERIALE

FINISH FINITURA

DWN / DIS. H.YAALI 01 FEB 2000
 CHK / CONT. C.TARTARI 01 FEB 2000
 APVD / APP. -

NAME NOME

PRODUCT SPEC SPEC DI PRODOTTO

APPLICATION SPEC SPEC DI APPLICAZIONE

WEIGHT PESO

SCALE SCALA 5:1

SHEET FOGLIO 1 OF DI 1

REV AZ7

CUSTOMER DRAWING DISEGNO PER CLIENTE SOLO PER RIFERIMENTO

FASTON Connector, .187 sr. REC. CONTACT.

SIZE A3 CAGE CODE 00779 DRAWING NO G-160430 RESTRICTED TO -