



Chipsmall Limited consists of a professional team with an average of over 10 year of expertise in the distribution of electronic components. Based in Hongkong, we have already established firm and mutual-benefit business relationships with customers from,Europe,America and south Asia,supplying obsolete and hard-to-find components to meet their specific needs.

With the principle of “Quality Parts,Customers Priority,Honest Operation,and Considerate Service”,our business mainly focus on the distribution of electronic components. Line cards we deal with include Microchip,ALPS,ROHM,Xilinx,Pulse,ON,Everlight and Freescale. Main products comprise IC,Modules,Potentiometer,IC Socket,Relay,Connector.Our parts cover such applications as commercial,industrial, and automotives areas.

We are looking forward to setting up business relationship with you and hope to provide you with the best service and solution. Let us make a better world for our industry!



## Contact us

Tel: +86-755-8981 8866 Fax: +86-755-8427 6832

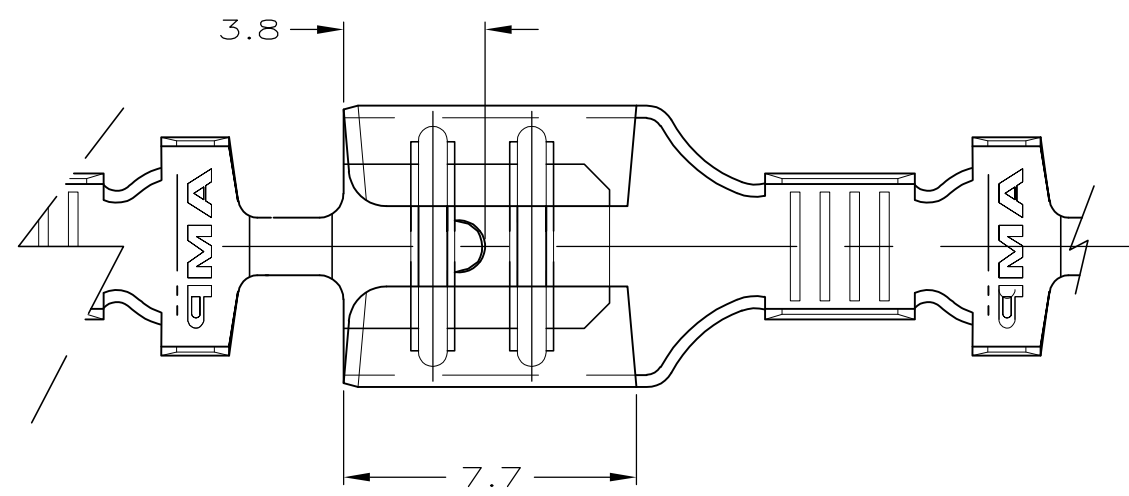
Email & Skype: info@chipsmall.com Web: www.chipsmall.com

Address: A1208, Overseas Decoration Building, #122 Zhenhua RD., Futian, Shenzhen, China

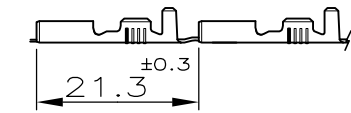


THIS DRAWING IS UNPUBLISHED. RELEASED FOR PUBLICATION  
 © COPYRIGHT - By - ALL RIGHTS RESERVED.

LOC	DIST	REVISIONS					
		P	LTR	DESCRIPTION	DATE	DWN	APVD
1	-		AW7	REVISED PER ECO-11-005301	02MAR11	RK	HMR



1) STATO DI FORNITURA - SCALA 1:1  
 (SUPPLY CONDITION - SCALE 1:1)



SENDO DI USCITA DEL TERMINALE DALLA BOBINA  
 (DIRECTION OFF TOP OF REEL)

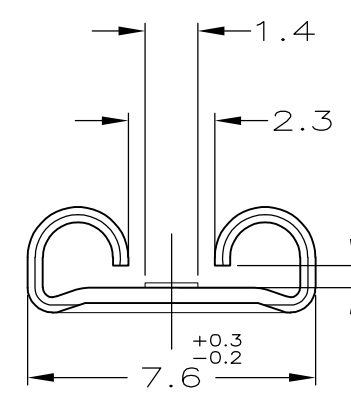
2) SPECIFICA DI PRODOTTO 108-20019  
 (PRODUCT SPEC. 108-20019)  
 SPECIFICA DI APPLICAZIONE 114-20023  
 (APPLICATION SPEC. 114-20023).

3) PER LE VERSIONI IN PEZZI SCIOLTI VEDERE DISEGNO 160506  
 (FOR LOOSE PIECE VERSION SEE DRAWING 160506).

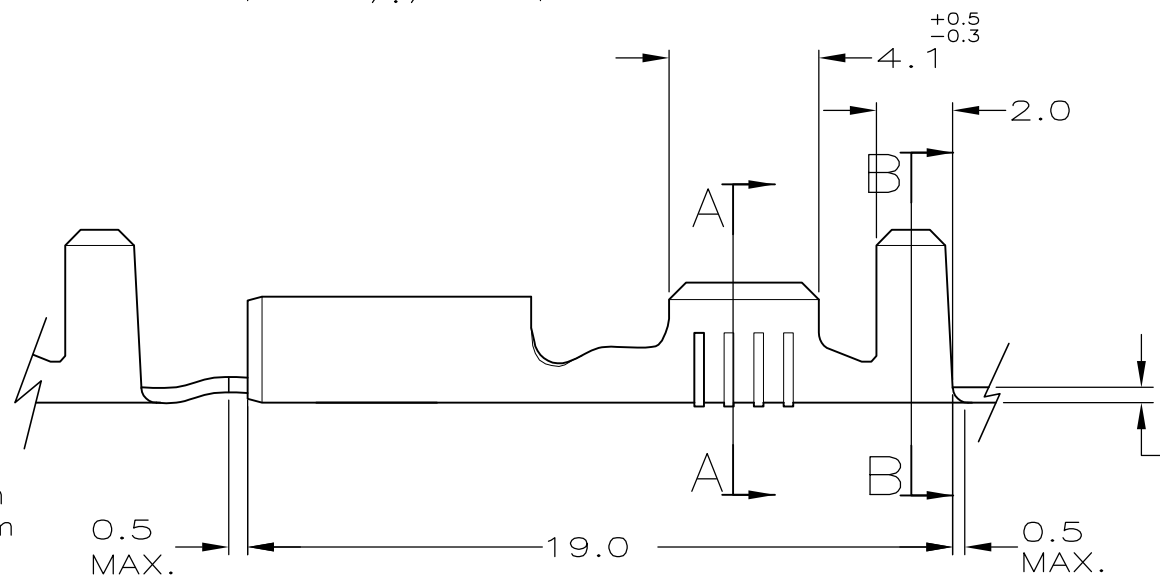
4) NON IN PRODUZIONE  
 (NOT YET RELEASE FOR PRODUCTION)

5) ADATTO PER ALTA FORZA DI ESTRAZIONE  
 (SUITABLE FOR HIGHER EXTRACTION FORCE)

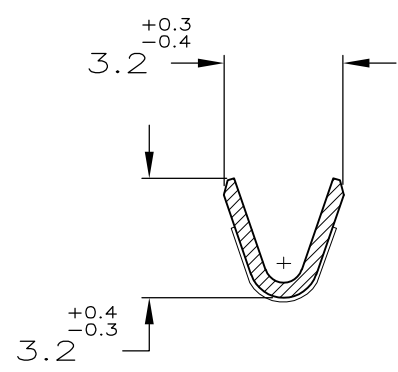
6) ADATTO PER TAB SPESSO 0.63mm.  
 (FOR 0.63mm TAB THK.)



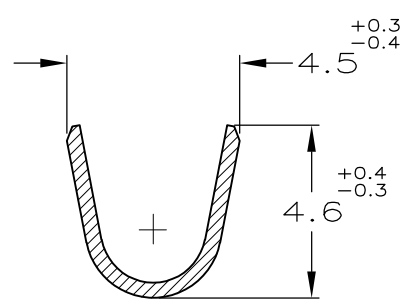
FOR 0.8mm & 0.63mm TAB THK.



SEZIONE A-A  
 (SECTION A-A)



SEZIONE B-B  
 (SECTION B-B)



6/4	STAGNATO (TINPLATED)	OTTONE (BRASS)	7-160432-3	AY
5/4	STAGNATO (TINPLATED)	OTTONE (BRASS)	7-160432-2	AW
5/4	NUDO (UNPLATED)	OTTONE (BRASS)	7-160432-1	AW
	STAGNATO (TINPLATED)	OTTONE (BRASS)	7-160432-0	AU
	NUDO (UNPLATED)	BRONZO FOSF.(PH. BRONZE)	6-160432-4	AU
	PRE NICHELATO (PRE NICKEL PLATED)	ACCIAIO (STEEL)	6-160432-3	AU
	STAGNATO (TINPLATED)	BRONZO FOSF.(PH. BRONZE)	6-160432-0	AU
	ARGRNTATO (SILVER PLATED)	OTTONE (BRASS)	5-160432-7	AW
	STAGNATO (TINPLATED)	OTTONE (BRASS)	5-160432-4	AU
	NUDO (UNPLATED)	OTTONE (BRASS)	5-160432-3	AW
NOTE (NOTES)	FINITURA (FINISH)	MATERIALE (MATERIAL)	NUMERO (P/N)	REV

THIS DRAWING IS A CONTROLLED DOCUMENT.

DIMENSIONS: mm	TOLERANCES UNLESS OTHERWISE SPECIFIED: ±0.3	DWN H.YAALI 14 MAY 99	TE Connectivity FASTON® Connector .250 SERIES REC. CONTACT
0 PLC ±	1 PLC ±	CHK C.TARTARI 14 MAY 99	
2 PLC ±	3 PLC ±	APVD -	
4 PLC ±	ANGLES ±2°	PRODUCT SPEC -	NAME
MATERIAL/MATERIALE	FINISH/FINITURA	APPLICATION SPEC	SIZE CAGE CODE DRAWING NO RESTRICTED TO
SEE TABLE (VEDI LA TABELLA)	SEE TABLE (VEDI LA TABELLA)	WEIGHT -	A3 00779 C-160432 -
CUSTOMER DRAWING		SCALE -	SHEET 1 OF 1 REV AW7