



Chipsmall Limited consists of a professional team with an average of over 10 year of expertise in the distribution of electronic components. Based in Hongkong, we have already established firm and mutual-benefit business relationships with customers from,Europe,America and south Asia,supplying obsolete and hard-to-find components to meet their specific needs.

With the principle of “Quality Parts,Customers Priority,Honest Operation,and Considerate Service”,our business mainly focus on the distribution of electronic components. Line cards we deal with include Microchip,ALPS,ROHM,Xilinx,Pulse,ON,Everlight and Freescale. Main products comprise IC,Modules,Potentiometer,IC Socket,Relay,Connector.Our parts cover such applications as commercial,industrial, and automotives areas.

We are looking forward to setting up business relationship with you and hope to provide you with the best service and solution. Let us make a better world for our industry!



Contact us

Tel: +86-755-8981 8866 Fax: +86-755-8427 6832

Email & Skype: info@chipsmall.com Web: www.chipsmall.com

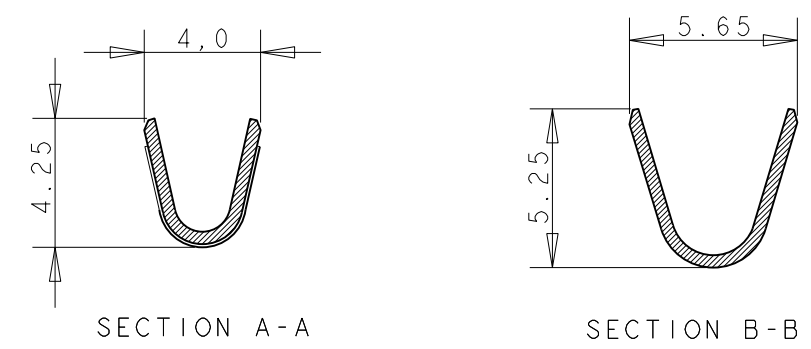
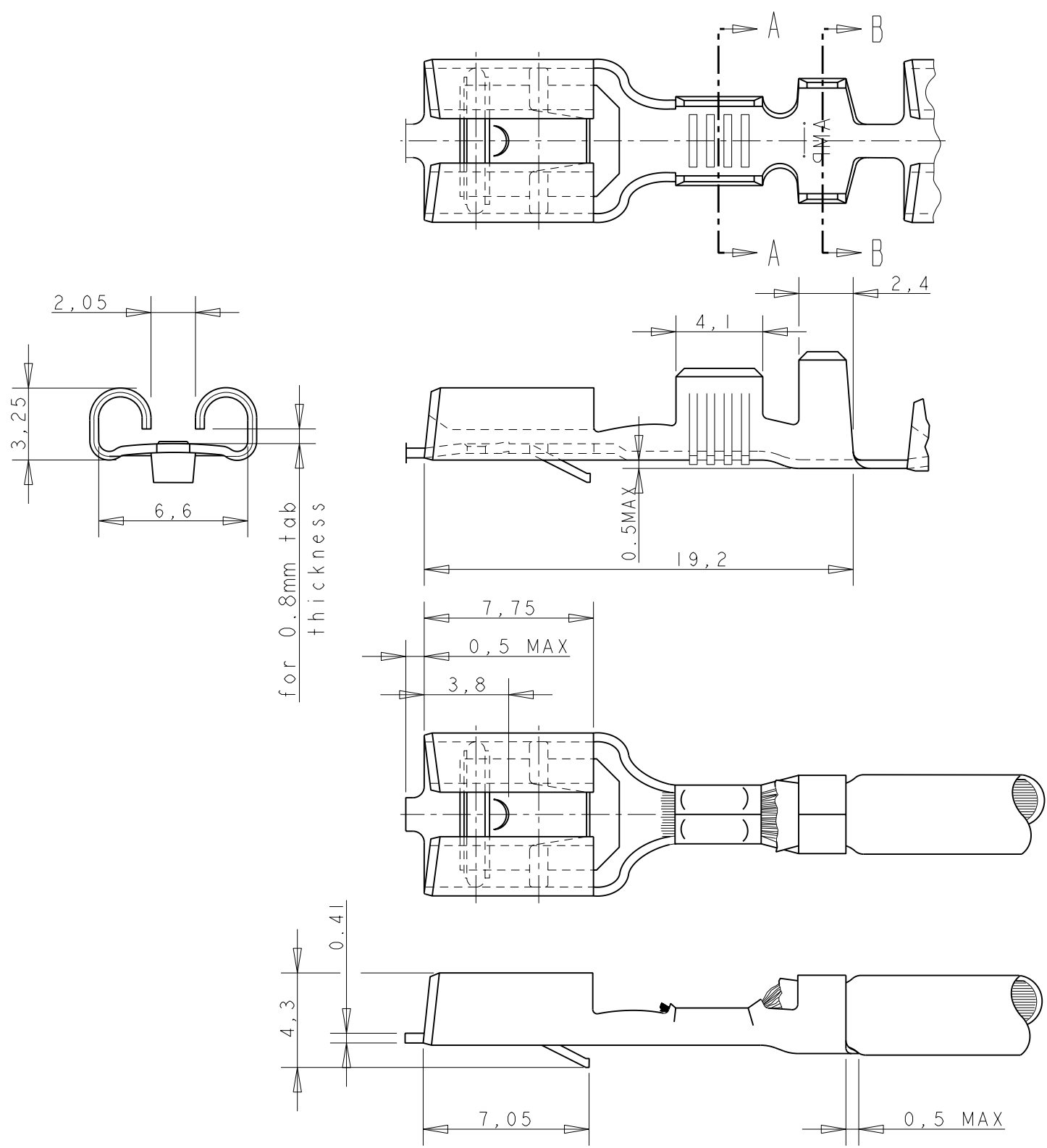
Address: A1208, Overseas Decoration Building, #122 Zhenhua RD., Futian, Shenzhen, China



LOC	DIST	REVISIONS					
		P	LTR	DESCRIPTION	DATE	DWN	APVD
A1	-		H2	REVISED PER ECO-11-005294	21MAR2011	RK	HMR

NOTES:

- 1 FOR USE ON MINIATURE APPLICATORS (LEFT-RIGHT FEED) AND STANDARD APPLICATORS (RIGHT-LEFT FEED).
- 2 FOR USE ON MINIATURE APPLICATORS (AMP-O-MATOR APPLICATION). (LEFT-RIGHT FEED).
- 3 OBSOLETE PARTS: OBSOLETE CIS STREAMLINING PER D.RENAUD/D.SINISI

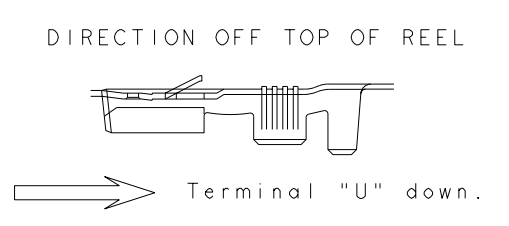


OBSOLETE		FINISH	MATERIAL	PART NUMBER
3	1	PRE-TINPLATED	PH.BRONZE	6-160446-8
	1	PRE-TINPLATED	BRASS	6-160446-7
	1 2	TINPLATED	PH.BRONZE	6-160446-6
	1 2	SILVERPLATED	PH.BRONZE	5-160446-8
	1 2	SILVERPLATED	BRASS	5-160446-6
	1	TINPLATED	BRASS	5-160446-5
	1	UNPLATED	BRASS	5-160446-4
	1	TINPLATED	PH.BRONZE	5-160446-2
	1	UNPLATED	PH.BRONZE	5-160446-1

GENERAL TOLERANCES ±0.3

WIRE RANGE :
1,0-2,5 mm²

INSULATION RANGE :
3,0-4,1mm DIA.



THIS DRAWING IS A CONTROLLED DOCUMENT.	
DIMENSIONS: mm	TOLERANCES UNLESS OTHERWISE SPECIFIED:
0 PLC ±·	1 PLC ±·
2 PLC ±·	3 PLC ±·
4 PLC ±·	ANGLES ±1°
MATERIAL SEE TABLE	FINISH SEE TABLE

DWN	J.V.LIEMPT.
CHK	A.BIJNEN.
APVD	L.V.SOEST.
PRODUCT SPEC	-
APPLICATION SPEC	-
WEIGHT	-

STE TE Connectivity

NAME
.250 SRS FASTIN-ON RECEPTACLE

SIZE	CAGE CODE	DRAWING NO	RESTRICTED TO
A3	00779	C-160446	-

CUSTOMER DRAWING SCALE SHEET OF REV H2