



Chipsmall Limited consists of a professional team with an average of over 10 year of expertise in the distribution of electronic components. Based in Hongkong, we have already established firm and mutual-benefit business relationships with customers from,Europe,America and south Asia,supplying obsolete and hard-to-find components to meet their specific needs.

With the principle of “Quality Parts,Customers Priority,Honest Operation,and Considerate Service”,our business mainly focus on the distribution of electronic components. Line cards we deal with include Microchip,ALPS,ROHM,Xilinx,Pulse,ON,Everlight and Freescale. Main products comprise IC,Modules,Potentiometer,IC Socket,Relay,Connector.Our parts cover such applications as commercial,industrial, and automotives areas.

We are looking forward to setting up business relationship with you and hope to provide you with the best service and solution. Let us make a better world for our industry!



Contact us

Tel: +86-755-8981 8866 Fax: +86-755-8427 6832

Email & Skype: info@chipsmall.com Web: www.chipsmall.com

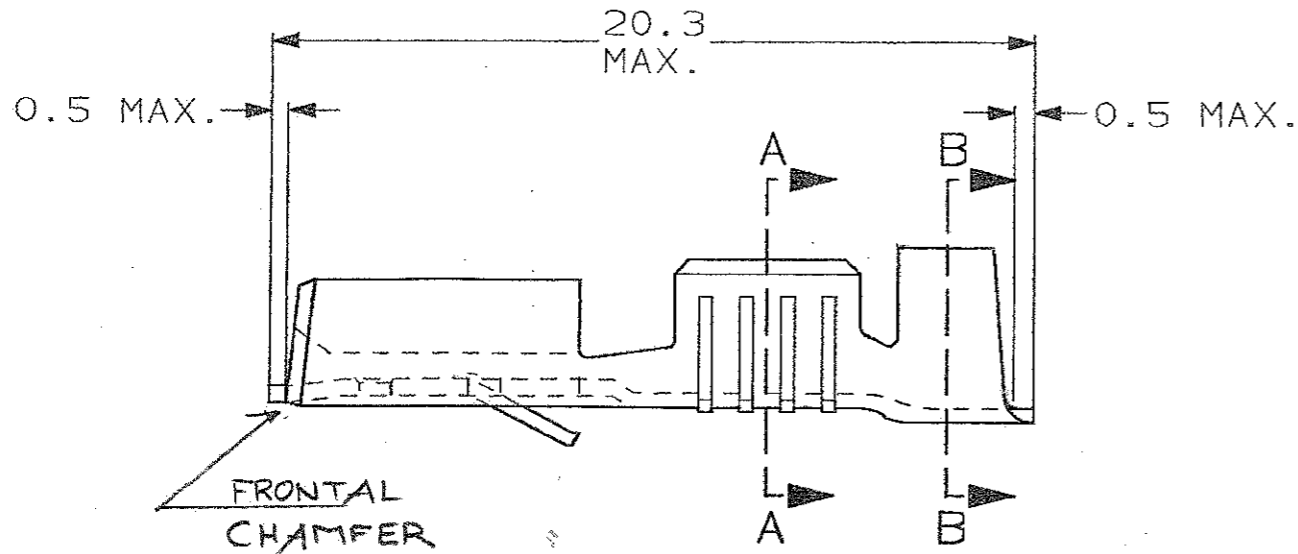
Address: A1208, Overseas Decoration Building, #122 Zhenhua RD., Futian, Shenzhen, China



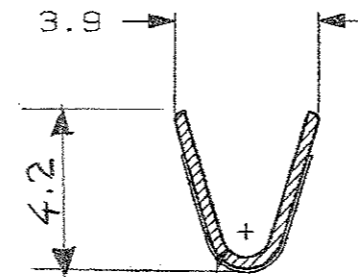
SCALA NON IMPEGNATIVA
(DO NOT SCALE)
DIMENSIONI IN mm
(DIMENSIONS IN mm)

METRIC

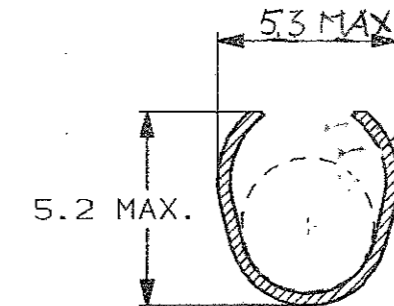
THIRD ANGLE
PROJECTION



SECTION A-A



SECTION B-B



1) FOR STRIP VERSION SEE DW/G. 160446

	TIN PLATE	PHOS. BRONZE	6-160447-6	R
	SILVER PLATE	BRASS	5-160447-6	R
	TIN PLATE	BRASS	5-160447-5	R
	PLAIN	BRASS	5-160447-4	R
	SILVER PLATE	PHOS. BRONZE	5-160447-3	R
	TIN PLATE	PHOS. BRONZE	5-160447-2	R
	PLAIN	PHOS. BRONZE	5-160447-1	R
NOTE	FINISH/COLOUR	MATERIAL	AMP P/N	REV

CUSTOMER DWG. FOR REFERENCE ONLY		DISEGNO PER CLIENTE SOLO PER RIFERIMENTO	
THIS DRAWING IS UNPUBLISHED		RELEASE FOR PUBLICATION	
© COPYRIGHT 19 BY AMP INCORPORATED, HARRISBURG, PA. ALL INTERNATIONAL RIGHTS RESERVED. AMP PRODUCTS MAY BE COVERED BY U.S. AND FOREIGN PATENT AND/OR PATENT PENDING			
TOLLERANZE, SE NON DIVERSAMENTE SPECIFICATO (TOLERANCES, UNLESS OTHERWISE SPECIFIED)	DIAM. ISOLANTE (INS. DIA. RANGE)	RANGO FILO (WIRE RANGE)	SCALA (SCALE)
± 0.3	3.5 MAX	1.0-2.5	5:1
ANGOLI (ANGLES)	AMP ITALIA S.p.A. Corso F.lli Cervi, 15 COLLENO (TORINO)		
DIS. H. YAALI	DESCRIZIONE (DESCRIPTION) FASTIN-FASTON ⁺ Conn. 250" sr. REC. CONTACT (L.P.)		
REV. R FIRST ISSUE	HY 30-4 00	LOC. SIZE NUMERO (DWG NO)	REV. 1
REVISIONI (REVISION RECORD)	DIS. DATA (DR) (DATE)	APP. (APP.)	FOGLIO (SHEET) 1
		I A3 C-160447	

DISTRIBUZIONE
(PRINT DIST.)