



Chipsmall Limited consists of a professional team with an average of over 10 year of expertise in the distribution of electronic components. Based in Hongkong, we have already established firm and mutual-benefit business relationships with customers from,Europe,America and south Asia,supplying obsolete and hard-to-find components to meet their specific needs.

With the principle of “Quality Parts,Customers Priority,Honest Operation,and Considerate Service”,our business mainly focus on the distribution of electronic components. Line cards we deal with include Microchip,ALPS,ROHM,Xilinx,Pulse,ON,Everlight and Freescale. Main products comprise IC,Modules,Potentiometer,IC Socket,Relay,Connector.Our parts cover such applications as commercial,industrial, and automotives areas.

We are looking forward to setting up business relationship with you and hope to provide you with the best service and solution. Let us make a better world for our industry!



Contact us

Tel: +86-755-8981 8866 Fax: +86-755-8427 6832

Email & Skype: info@chipsmall.com Web: www.chipsmall.com

Address: A1208, Overseas Decoration Building, #122 Zhenhua RD., Futian, Shenzhen, China



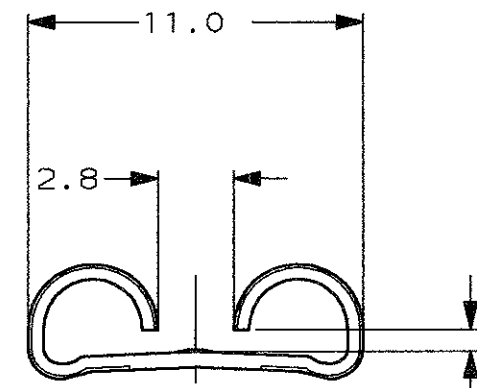
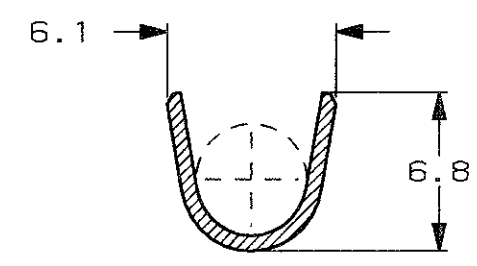
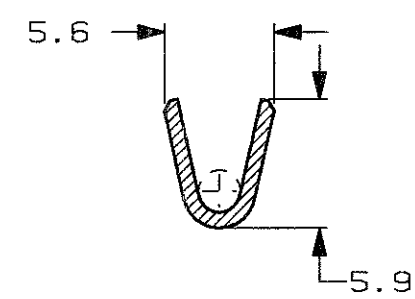
SCALA NON IMPEGNATIVA
(DO NOT SCALE)
DIMENSIONI IN mm
(DIMENSIONS IN mm)

METRIC

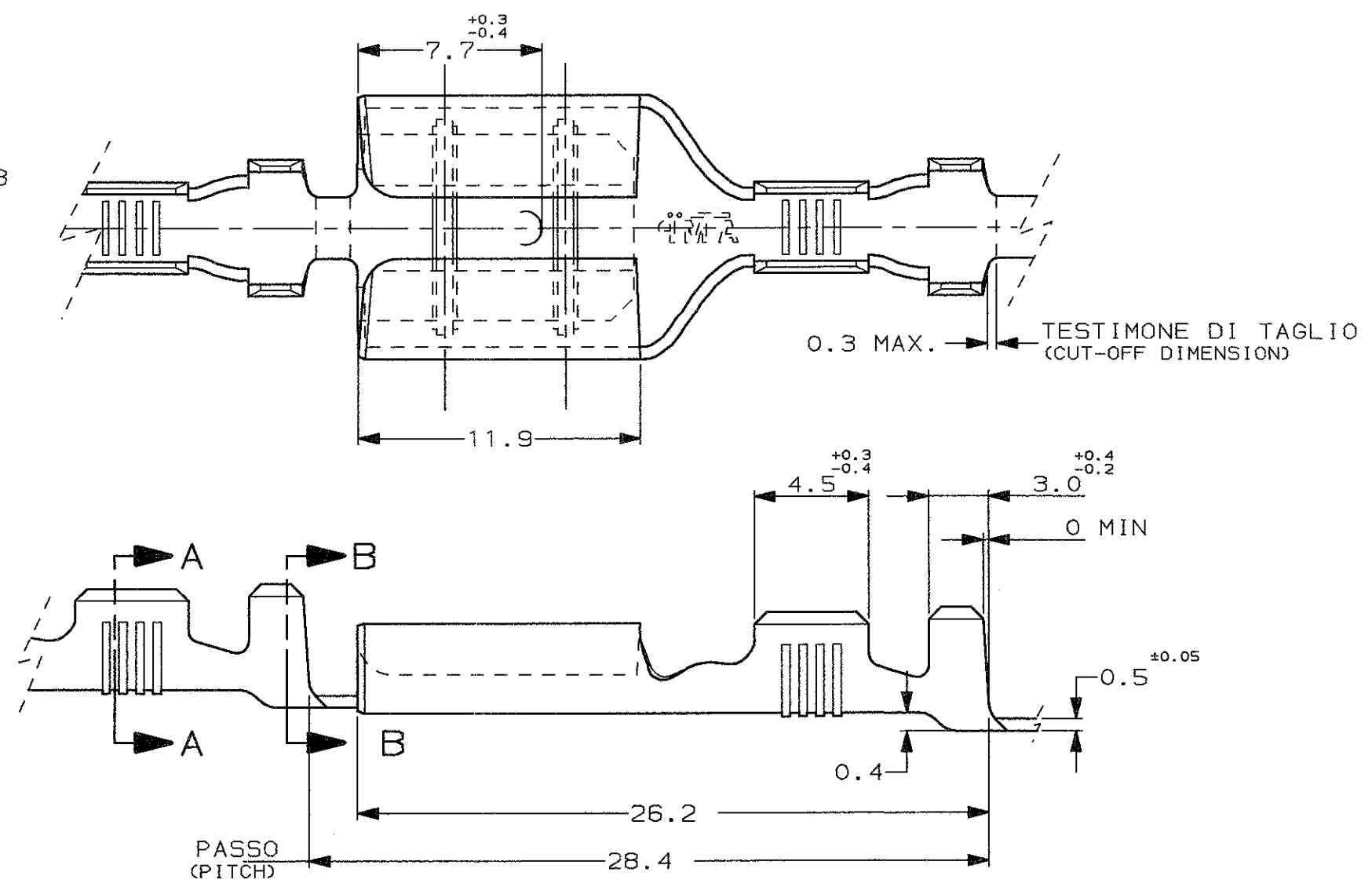
PROIEZIONE EUROPEA
(EUROPEAN PROJECTION)

**SEZIONE A-A
(SECTION A-A)**

**SEZIONE B-B
(SECTION B-B)**



ADATTO PER LINGUETTA DI 1.2 mm
(TO FIT TAB 1.2 mm THK)



TESTIMONE DI TAGLIO
(CUT-OFF DIMENSION)

PASSO
(PITCH)

1) STATO DI FORNITURA - SCALA 1:1
(SUPPLY CONDITION - SCALE 1:1)



SENSO DI USCITA
DEL TERMINALE
DALLA BOBINA
(DIRECTION OFF
TOP OF REEL)

2) SPECIFICA DI PRODOTTO 108-20019
(PROD. SPEC. 108-20019).

3) BOBINATO CON FASCIATURA ESTERNA
(REELED WITH PAPER COVER)

4) OBSOLETE PARTS: OBSOLETE CIS STREAMLINING
PER D.RENAUD/D.SINISI

4 OBSOLETE

| | | | | |
|-------|-------------------------------------|---------------------------|-----------------------|------|
| 3 | NUDO (UNPLATED) | OTTONE (BRASS) | 5-160521-8 | V |
| - | NUDO (UNPLATED) | BRONZO FOSF. (PH. BRONZE) | 5-160521-3 | V |
| - | STAGNATO (TIN PLATED) | OTTONE (BRASS) | 5-160521-2 | V |
| NOTES | FINITURA / COLORE (FINISH / COLOUR) | MATERIALE (MATERIAL) | NUMERO (AMP P/N) | REV. |

| | | | |
|---|--|--|---------------------|
| CUSTOMER DWG. FOR REFERENCE ONLY | | DISEGNO PER CLIENTE SOLO PER RIFERIMENTO | |
| THIS DRAWING IS UNPUBLISHED | | RELEASE FOR PUBLICATION 19 | |
| © COPYRIGHT 19 BY AMP INCORPORATED, HARRISBURG, PA. ALL INTERNATIONAL RIGHTS RESERVED. AMP PRODUCTS MAY BE COVERED BY U.S. AND FOREIGN PATENT AND/OR PATENT PENDING | | | |
| TOLLERANZE, SE NON DIVERSAMENTE SPECIFICATO (TOLERANCES, UNLESS OTHERWISE SPECIFIED) | DIAM. ISOLANTE (INS. DIA. RANGE) | RANGO FILO (WIRE RANGE) mm ² | SCALA (SCALE) |
| ± 0.3 | 4.0-6.0 | 3.8-5.1 | 4:1 |
| ANGOLI (ANGLES) | AMP ITALIA S.p.A. Corso F.lli Cervi, 15 COLLEGNO (TORINO) | | |
| V1 REVISED PER ECO-09-022178 KK 22SEP 09 | DESCRIZIONE (DESCRIPTION) FASTON® Connector .375" sr. REC. CONTACT | | |
| V OBSOLETE P/NS AND REDRAWN ET00-0305-99 R.F. DB MAR 00 | LOC. SIZE | NUMERO (DWG NO) | REV. FOGLIO (SHEET) |
| REV. (REV. LVL.) | I A3 | C-160521 | V1 1 D1 (OF) 1 |
| REVISIONI (REVISION RECORD) | DIS. DATA (COR) | APP. (APP.) | |

DISTRIBUZIONE (PRINT DIST.)