



Chipsmall Limited consists of a professional team with an average of over 10 year of expertise in the distribution of electronic components. Based in Hongkong, we have already established firm and mutual-benefit business relationships with customers from,Europe,America and south Asia,supplying obsolete and hard-to-find components to meet their specific needs.

With the principle of “Quality Parts,Customers Priority,Honest Operation,and Considerate Service”,our business mainly focus on the distribution of electronic components. Line cards we deal with include Microchip,ALPS,ROHM,Xilinx,Pulse,ON,Everlight and Freescale. Main products comprise IC,Modules,Potentiometer,IC Socket,Relay,Connector.Our parts cover such applications as commercial,industrial, and automotives areas.

We are looking forward to setting up business relationship with you and hope to provide you with the best service and solution. Let us make a better world for our industry!



## Contact us

Tel: +86-755-8981 8866 Fax: +86-755-8427 6832

Email & Skype: info@chipsmall.com Web: www.chipsmall.com

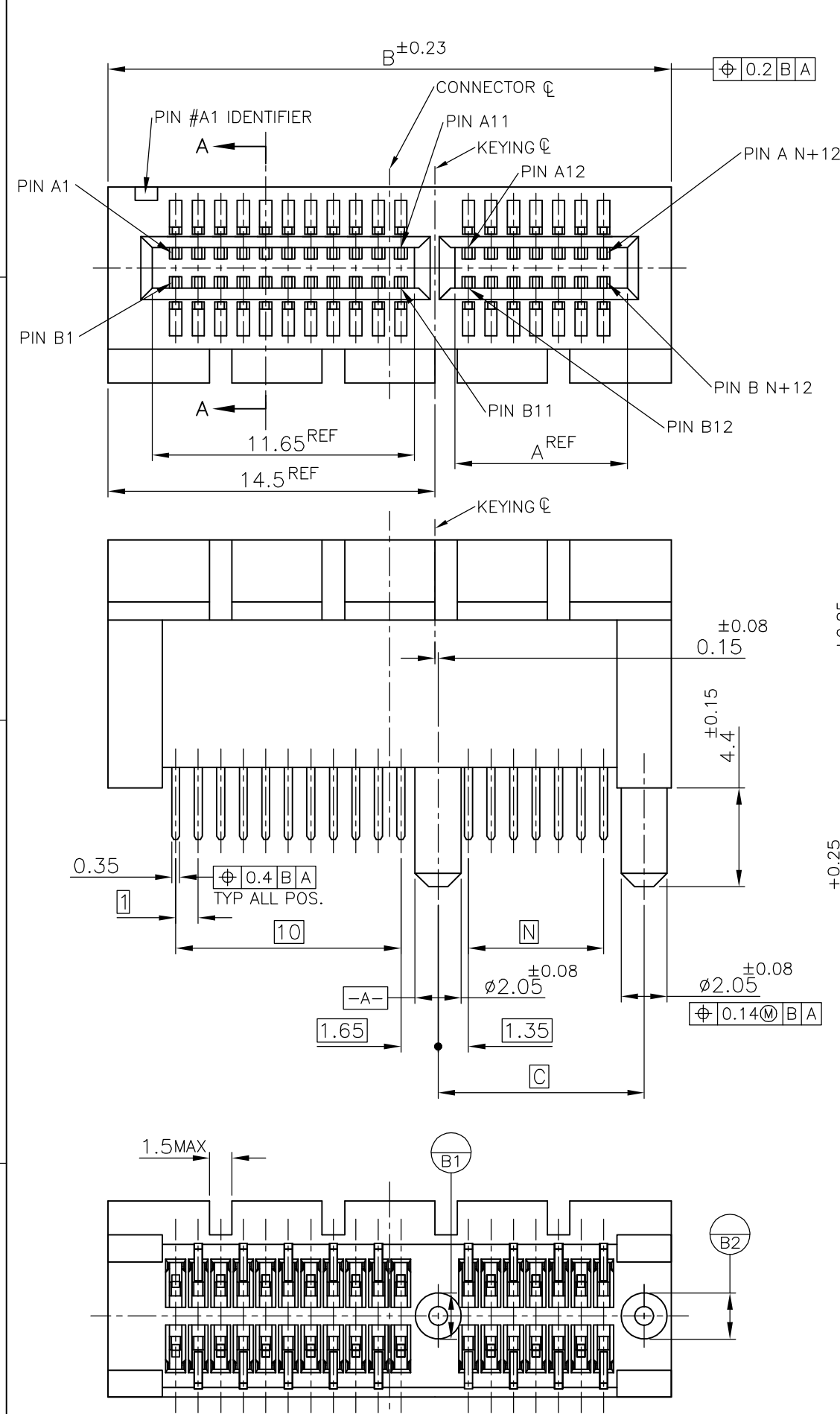
Address: A1208, Overseas Decoration Building, #122 Zhenhua RD., Futian, Shenzhen, China



THIS DRAWING IS UNPUBLISHED. RELEASED FOR PUBLICATION FEB. 2003.  
 © COPYRIGHT 2003 BY TYCO ELECTRONICS CORPORATION. ALL RIGHTS RESERVED.

LOC DW DIST

REVISIONS				
P	LTR	DESCRIPTION	DATE	DWN APVD
J	REVISED	ECR-06-017657	12SEP06	S.H W.K

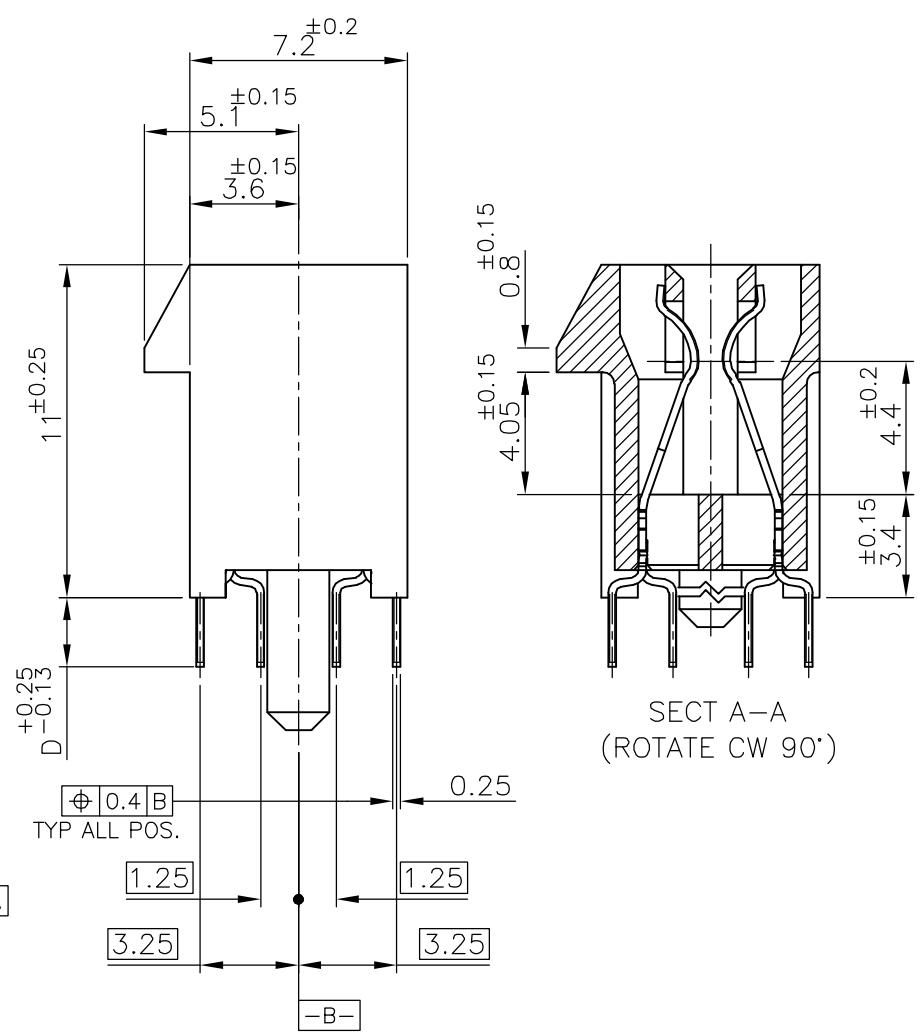


1 MATERIAL;  
 HOUSING: HIGH TEMPERATURE THERMO PLASTIC  
 UL94V-0, COLOR; BLACK  
 CONTACT: COPPER ALLOY

2 FINISH;  
 CONTACT AREA: GOLD PL. 0.05 μm MIN OVER NICKEL PL.  
 TINE AREA: MATTE TIN PL. OVER NICKEL PL.

3 FINISH;  
 CONTACT AREA: GOLD PL. 0.38 μm MIN OVER NICKEL PL.  
 TINE AREA: MATTE TIN PL. OVER NICKEL PL.

4 FINISH;  
 CONTACT AREA: GOLD PL. 0.76 μm MIN OVER NICKEL PL.  
 TINE AREA: MATTE TIN PL. OVER NICKEL PL.



PRODUCTION	↑	70	↑	73.15	89	71.65	164	16	8-	↑	-4
PRODUCING		37		40.15	56	38.65	98	8	8-		-3
PRODUCING		20		23.15	39	21.65	64	4	8-		-2
PRODUCING	△4	6		9.15	25	7.65	36	1	8-1612163-1		
PRODUCING	↑	70		73.15	89	71.65	164	16	6-	↑	-4
PRODUCING		37		40.15	56	38.65	98	8	6-		-3
PRODUCING		20		23.15	39	21.65	64	4	6-		-2
PRODUCING	△2	6	3.56	9.15	25	7.65	36	1	6-1612163-1		
PRODUCING	↑	70		73.15	89	71.65	164	16	5-	↑	-4
PRODUCING		37		40.15	56	38.65	98	8	5-		-3
PRODUCING		20		23.15	39	21.65	64	4	5-		-2
PRODUCING		6	3.1	9.15	25	7.65	36	1	5-1612163-1		
PRODUCING		70		73.15	89	71.65	164	16	4-	↑	-4
PRODUCING		37		40.15	56	38.65	98	8	4-		-3
PRODUCING		20		23.15	39	21.65	64	4	4-		-2
PRODUCING	△4	6	2.3	9.15	25	7.65	36	1	4-1612163-1		
PRODUCING	↑	70		73.15	89	71.65	164	16	3-	↑	-4
PRODUCING		37		40.15	56	38.65	98	8	3-		-3
PRODUCING		20		23.15	39	21.65	64	4	3-		-2
PRODUCING		6	3.1	9.15	25	7.65	36	1	3-1612163-1		
PRODUCING		70		73.15	89	71.65	164	16	2-	↑	-4
PRODUCING		37		40.15	56	38.65	98	8	2-		-3
PRODUCING		20		23.15	39	21.65	64	4	2-		-2
PRODUCING	△3	6	2.3	9.15	25	7.65	36	1	2-1612163-1		
PRODUCING	↑	70		73.15	89	71.65	164	16	1-	↑	-4
PRODUCING		37		40.15	56	38.65	98	8	1-		-3
PRODUCING		20		23.15	39	21.65	64	4	1-		-2
PRODUCING		6	3.1	9.15	25	7.65	36	1	1-1612163-1		
PRODUCING		70		73.15	89	71.65	164	16		↑	-4
PRODUCING		37		40.15	56	38.65	98	8			-3
PRODUCING		20		23.15	39	21.65	64	4			-2
PRODUCING	△2	6	2.3	9.15	25	7.65	36	1			1612163-1
TOOLING STATUS	FINISH	N	D	C	B	A	POS.	PORT	P/N		

THIS DRAWING IS A CONTROLLED DOCUMENT.

DWN K.KOBAYASHI 20FEB03  
 CHK H.SHIRAI 21FEB03  
 APVD Y.YAMAMOTO 21FEB03

**tyco Electronics** Tyco Holdings (Bermuda) VII LTD, Taiwan Branch

NAME: PCI EXPRESS CARD EDGE CONN. V-TYPE

PRODUCT SPEC: 108-5847

APPLICATION SPEC

SIZE: A3 CAGE CODE: 00779 DRAWING NO: C-1612163 RESTRICTED TO: -

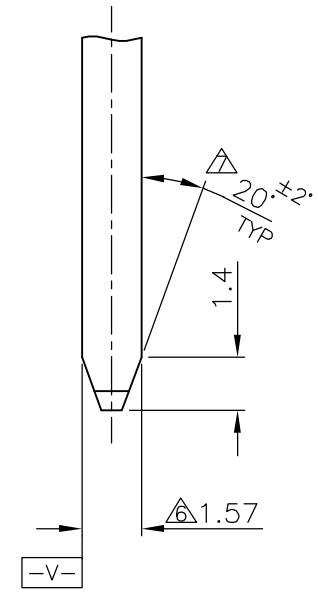
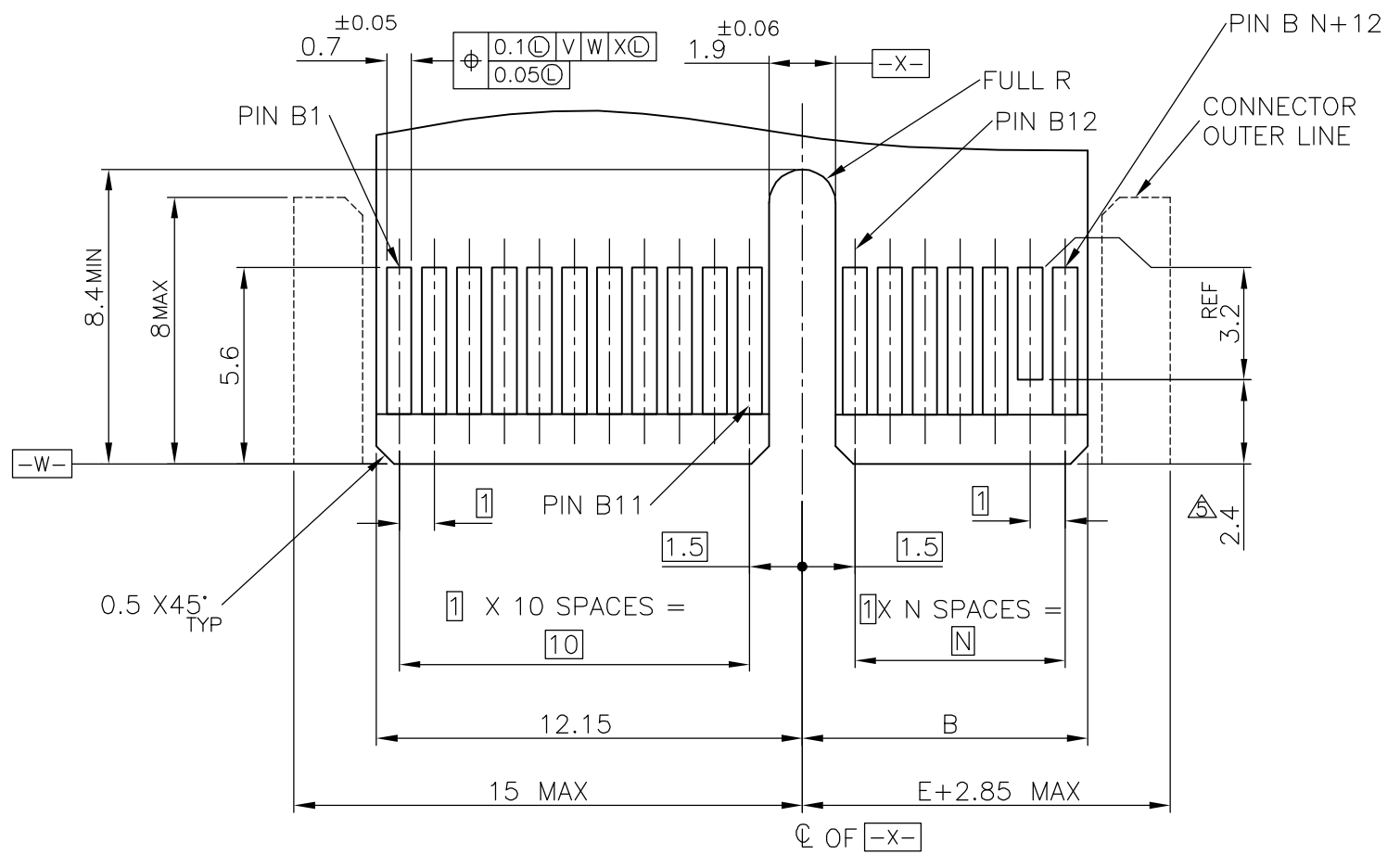
WEIGHT

CUSTOMER DRAWING SCALE: 4:1 SHEET: 1 OF 2 REV: J

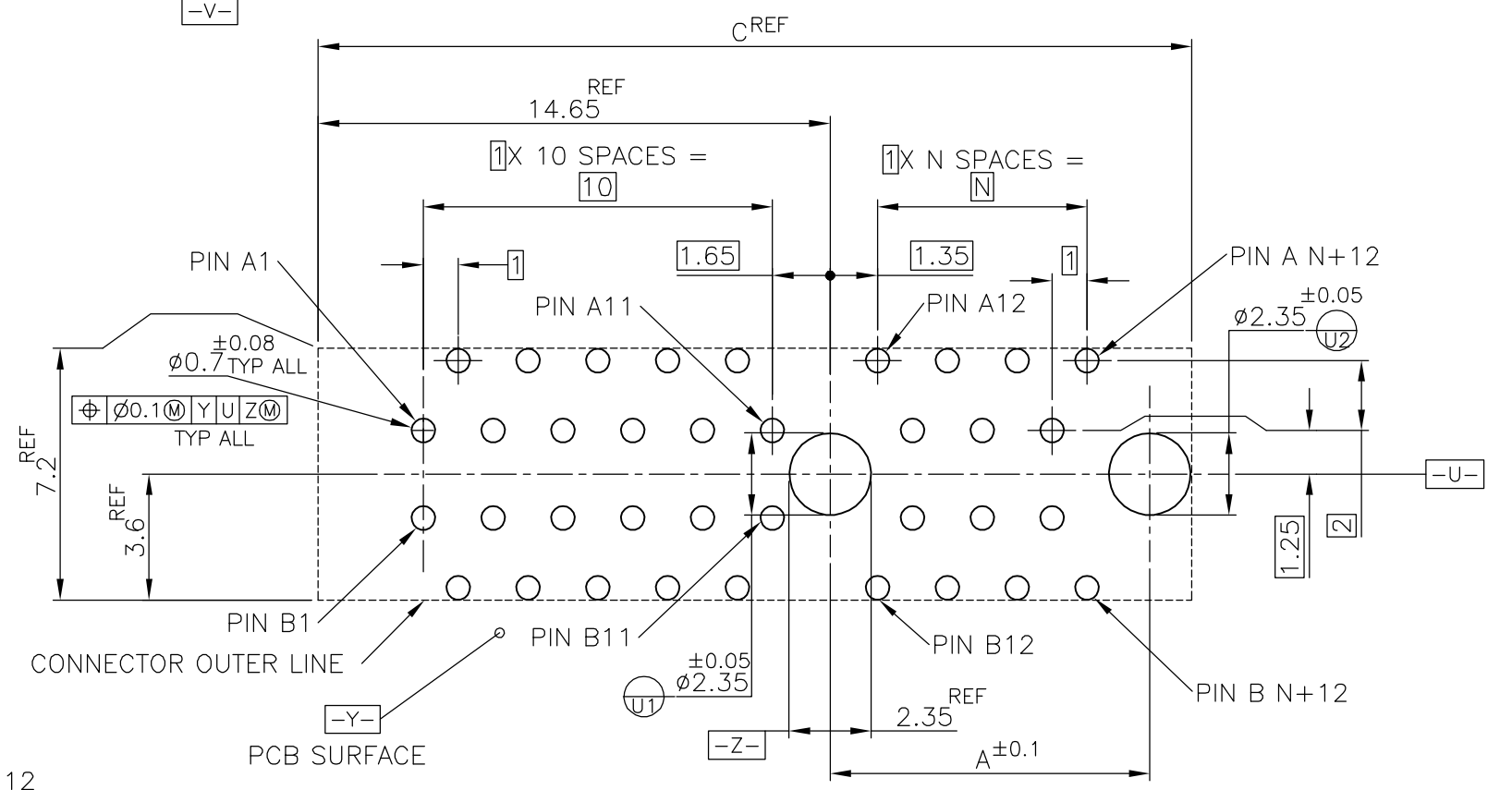
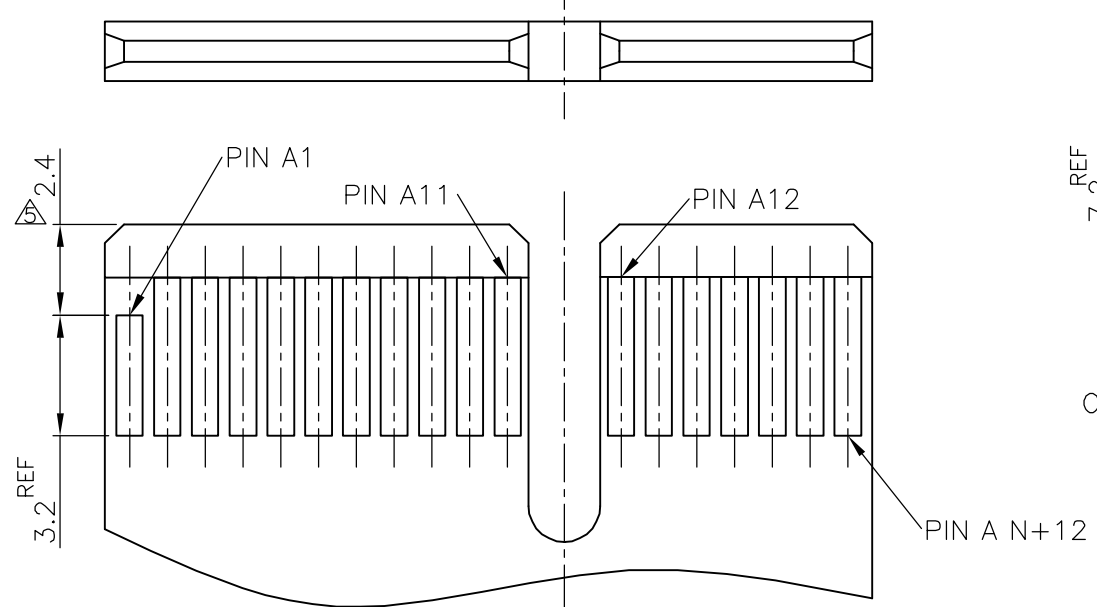
DIMENSIONS: MM TOLERANCES UNLESS OTHERWISE SPECIFIED:  
 0-PLC ± ±0.3  
 1-PLC ± ±2  
 2-PLC ± ±  
 3-PLC ± ±  
 4-PLC ± ±  
 ANGLES ± ±  
 MATERIAL FINISH SEE TABLE

THIS DRAWING IS UNPUBLISHED. RELEASED FOR PUBLICATION FEB ,2003.  
 © COPYRIGHT 2003 BY TYCO ELECTRONICS CORPORATION. ALL RIGHTS RESERVED.

LOC	DIST	REVISIONS			
P	LTR	DESCRIPTION	DATE	DWN	APVD
DW		SEE SHEET 1	-	-	-



- 5 THIS DIMENSION IS ONLY APPLIED TO PRSNT PINS.
- 6 CARD THICKNESS APPLIES ACROSS TABS AND INCLUDES PLATING AND/OR METALIZATION.
- 7 CHAMFER EDGES MUST BE FREE OF CUTTING BURRS.
- 8 NO TIE BAR PERMITTED FROM CARD EDGE TO LEADING EDGE OF PAD FOR PRSNT PIN.
- 9 APPLICATION NOTE;  
GOLD CONTACT PAD : ELECTROLESS GOLD PLATING 0.05μm MIN. OVER ELECTROLESS Ni PLATING 2μm MIN.



PCB PATTERN LAYOUT

MODULE LAYOUT(MATING PART ONLY)

	A1,B17,B31,B48,B81	89	72.15	73.15	70	164	16
	A1,B17,B31,B48	56	39.15	40.15	37	98	8
	A1,B17,B31	39	22.15	23.15	20	64	4
	A1,B17	25	8.15	9.15	6	36	1
	PRSNT PIN	C	B	A	N	POS.	PORT

THIS DRAWING IS A CONTROLLED DOCUMENT.

DIMENSIONS: MM	TOLERANCES UNLESS OTHERWISE SPECIFIED: 0-PLC ± ±0.13 1-PLC ± ±1 2-PLC ± ± 3-PLC ± ± 4-PLC ± ± ANGLES ± ± FINISH	DWN	CHK	APVD	PRODUCT SPEC	APPLICATION SPEC	WEIGHT	CUSTOMER DRAWING
				Tyco Holdings (Bermuda) VII LTD, Taiwan Branch		NAME PCI EXPRESS CARD EDGE CONN. V-TYPE		RESTRICTED TO
MATERIAL		SIZE	CAGE CODE	DRAWING NO	A3 00779 C-1612163			SCALE
		8:1		SHEET	2 OF 2		REV	J