



Chipsmall Limited consists of a professional team with an average of over 10 year of expertise in the distribution of electronic components. Based in Hongkong, we have already established firm and mutual-benefit business relationships with customers from,Europe,America and south Asia,supplying obsolete and hard-to-find components to meet their specific needs.

With the principle of “Quality Parts,Customers Priority,Honest Operation,and Considerate Service”,our business mainly focus on the distribution of electronic components. Line cards we deal with include Microchip,ALPS,ROHM,Xilinx,Pulse,ON,Everlight and Freescale. Main products comprise IC,Modules,Potentiometer,IC Socket,Relay,Connector.Our parts cover such applications as commercial,industrial, and automotives areas.

We are looking forward to setting up business relationship with you and hope to provide you with the best service and solution. Let us make a better world for our industry!



Contact us

Tel: +86-755-8981 8866 Fax: +86-755-8427 6832

Email & Skype: info@chipsmall.com Web: www.chipsmall.com

Address: A1208, Overseas Decoration Building, #122 Zhenhua RD., Futian, Shenzhen, China



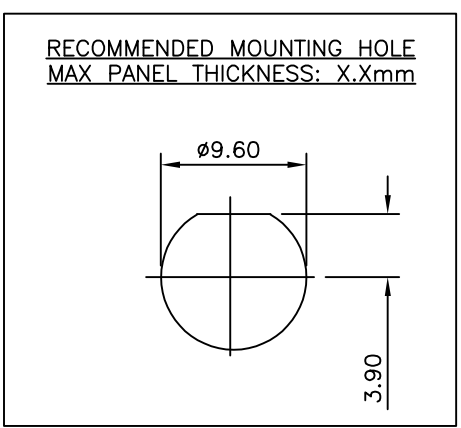
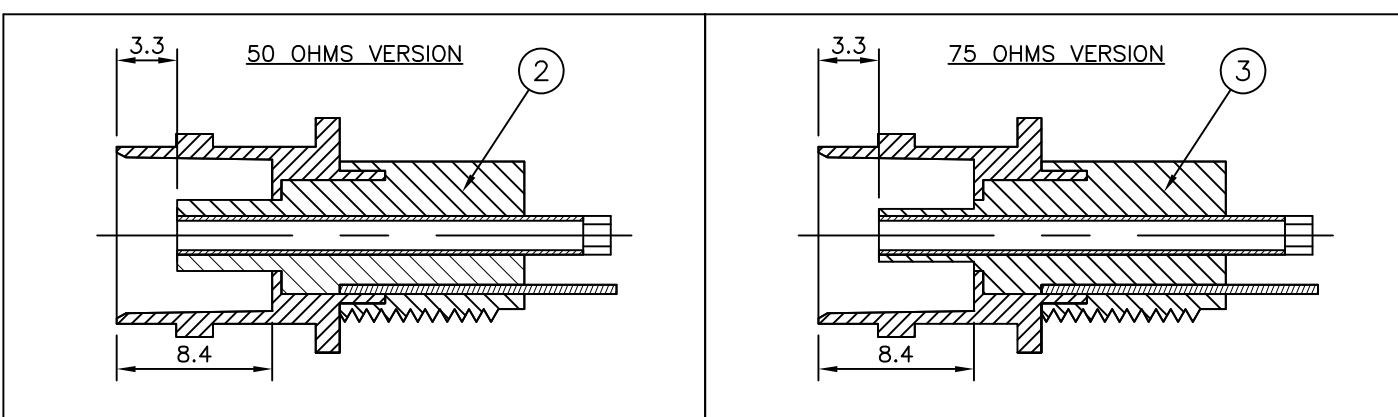
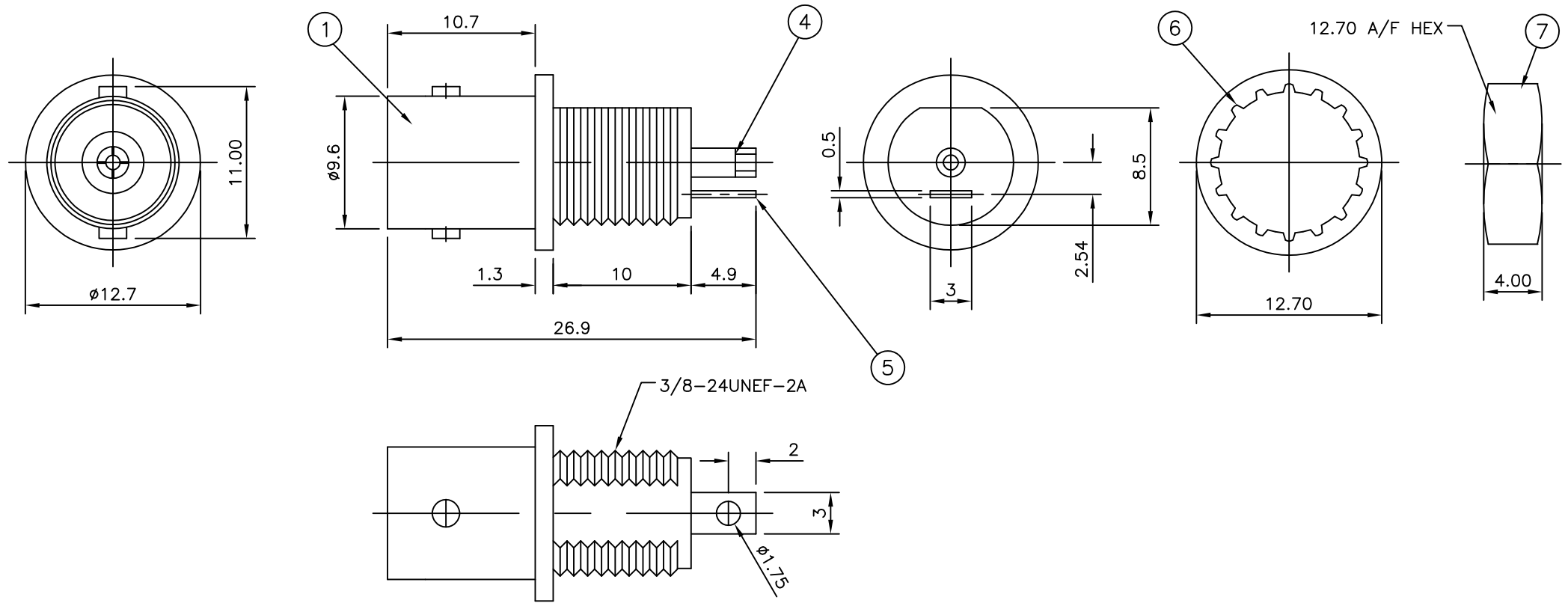
THIS DRAWING IS UNPUBLISHED. RELEASED FOR PUBLICATION AUGUST, 2005.

© COPYRIGHT 2005 By - ALL RIGHTS RESERVED.

LOC	DIST	REVISIONS					
E	B	P	LTR	DESCRIPTION	DATE	DWN	APVD
		B1		REVISED PER ECO-11-005033	31MAR11	RK	HMR
		C		REVISED PER ECO-12-002190	03FEB12	TITAN	MARTIN

NOTES

- 1 100 TRAY PACK IN ACCORDANCE WITH AMP SPEC 107-3275
- 2 SINGLE PACK IN ACCORDANCE WITH AMP SPEC 107-3275
- 3 Au PLATING OVER Ni PLATING OVER Cu PLATING
- 4 Ni PLATING OVER Cu PLATING
- 5. FOR TECHNICAL DATA REFER TO YOUR LOCAL TE CONNECTIVITY SALES OFFICE
- 6. ALL DIMENSIONS ARE NOMINAL FOR REFERENCE ONLY UNLESS OTHERWISE STATED



		OBSOLETE		OBSOLETE				
		1	1	1	1	BRASS	△ HEX NUT	7
		1	1	1	1	STEEL	△ LOCK WASHER	6
		1	1	1	1	BRASS	△ GROUND TAG	5
		1	1	1	1	PHOS BRONZE	△ CONTACT	4
			1	-		PBT POLYESTER	INSULATOR	3
			-	1		PBT POLYESTER	INSULATOR	2
		1	1	1	1	ZINC ALLOY	△ BODY	1
		5--3	5--2	5--1	5--0	MATERIAL	DESCRIPTION	ITEM
QUANTITY PER ASSY						PARTS LIST		

THIS DRAWING IS A CONTROLLED DOCUMENT.		DWN	RITA ZUO	24 Feb 09	STE TE Connectivity			
		CHK	ANSON MA	24 Feb 09				
		APVD	BOB ZHAO	24 Feb 09	NAME			
		PRODUCT SPEC			BNC INSULATED BULKHEAD SOCKET FRONT MOUNT			
		APPLICATION SPEC			-			
		108-112000			-			
		-			SIZE	CAGE CODE	DRAWING NO	RESTRICTED TO
		-			A3	00779	C-1634504	-
MATERIAL		FINISH			SCALE			SHEET
SEE TABLE		SEE TABLE			NTS			1 OF 1
		CUSTOMER DRAWING			REV			C