



Chipsmall Limited consists of a professional team with an average of over 10 year of expertise in the distribution of electronic components. Based in Hongkong, we have already established firm and mutual-benefit business relationships with customers from,Europe,America and south Asia,supplying obsolete and hard-to-find components to meet their specific needs.

With the principle of “Quality Parts,Customers Priority,Honest Operation,and Considerate Service”,our business mainly focus on the distribution of electronic components. Line cards we deal with include Microchip,ALPS,ROHM,Xilinx,Pulse,ON,Everlight and Freescale. Main products comprise IC,Modules,Potentiometer,IC Socket,Relay,Connector.Our parts cover such applications as commercial,industrial, and automotives areas.

We are looking forward to setting up business relationship with you and hope to provide you with the best service and solution. Let us make a better world for our industry!



Contact us

Tel: +86-755-8981 8866 Fax: +86-755-8427 6832

Email & Skype: info@chipsmall.com Web: www.chipsmall.com

Address: A1208, Overseas Decoration Building, #122 Zhenhua RD., Futian, Shenzhen, China



THIS DRAWING IS UNPUBLISHED.

RELEASED FOR PUBLICATION MAY , 2006.

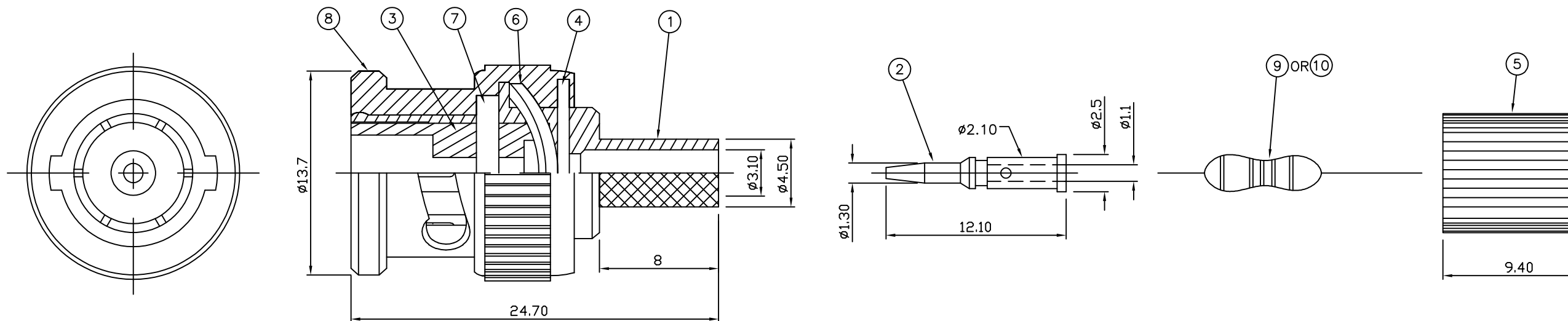
© COPYRIGHT 2006 By -

ALL RIGHTS RESERVED.

LOC	DIST	REVISIONS			
P	LTR	DESCRIPTION	DATE	DWN	APVD
E	B	B	ECO-09-003420	10 Mar 09	RITA BOB
		C	ECO-12-010787	11JUN12	TITAN MARTIN

NOTES

- 1 SINGLE PACK IN ACCORDANCE WITH AMP SPEC 107-3275
- 2 100 TRAY PACK IN ACCORDANCE WITH AMP SPEC 107-3275
- 3 Au PLATING
- 4 Ni PLATING



Obsolete	Obsolete	Obsolete	Quantity	Description	Item
1	1	-	1	METAL FILM	RESISTOR 75 OHM
-	-	1	1	METAL FILM	RESISTOR 50 OHM
1	1	1	1	ZINC ALLOY	BARREL
1	1	1	1	SILICON RUBBER	GASKET
1	1	1	1	SPRING STEEL	SPRING
1	1	1	1	ZINC ALLOY	CAP
1	1	1	1	IRON	WASHER
1	1	1	1	POLYMETHYLPENTENE	INSULATOR
1	1	1	1	BRASS	CONTACT
1	1	1	1	ZINC ALLOY	BODY
5	35	25	15	MATERIAL	DESCRIPTION

THIS DRAWING IS A CONTROLLED DOCUMENT.		DWN RITA ZUO 10 Mar 09	STE TE Connectivity	
DIMENSIONS: mm		CHK ANSON MA 10 Mar 09		
TOLERANCES UNLESS OTHERWISE SPECIFIED:		APVD BOB ZHAO 10 Mar 09	NAME BNC PLUG TERMINATION - 50 OHM & 75 OHM	
0 PLC ± 0.5		PRODUCT SPEC 108-112000	RESTRICTED TO	
1 PLC ± 0.3		APPLICATION SPEC	SIZE A3	CAGE CODE 00779
2 PLC ± 0.2		WEIGHT -	DRAWING NO C-1634527	REV C
3 PLC ± -		CUSTOMER DRAWING		
4 PLC ± -		SCALE NTS		
ANGLES ± -		SHEET 1 OF 1		
FINISH -		REV C		
MATERIAL SEE TABLE				