



Chipsmall Limited consists of a professional team with an average of over 10 year of expertise in the distribution of electronic components. Based in Hongkong, we have already established firm and mutual-benefit business relationships with customers from,Europe,America and south Asia,supplying obsolete and hard-to-find components to meet their specific needs.

With the principle of “Quality Parts,Customers Priority,Honest Operation,and Considerate Service”,our business mainly focus on the distribution of electronic components. Line cards we deal with include Microchip,ALPS,ROHM,Xilinx,Pulse,ON,Everlight and Freescale. Main products comprise IC,Modules,Potentiometer,IC Socket,Relay,Connector.Our parts cover such applications as commercial,industrial, and automotives areas.

We are looking forward to setting up business relationship with you and hope to provide you with the best service and solution. Let us make a better world for our industry!



## Contact us

Tel: +86-755-8981 8866 Fax: +86-755-8427 6832

Email & Skype: info@chipsmall.com Web: www.chipsmall.com

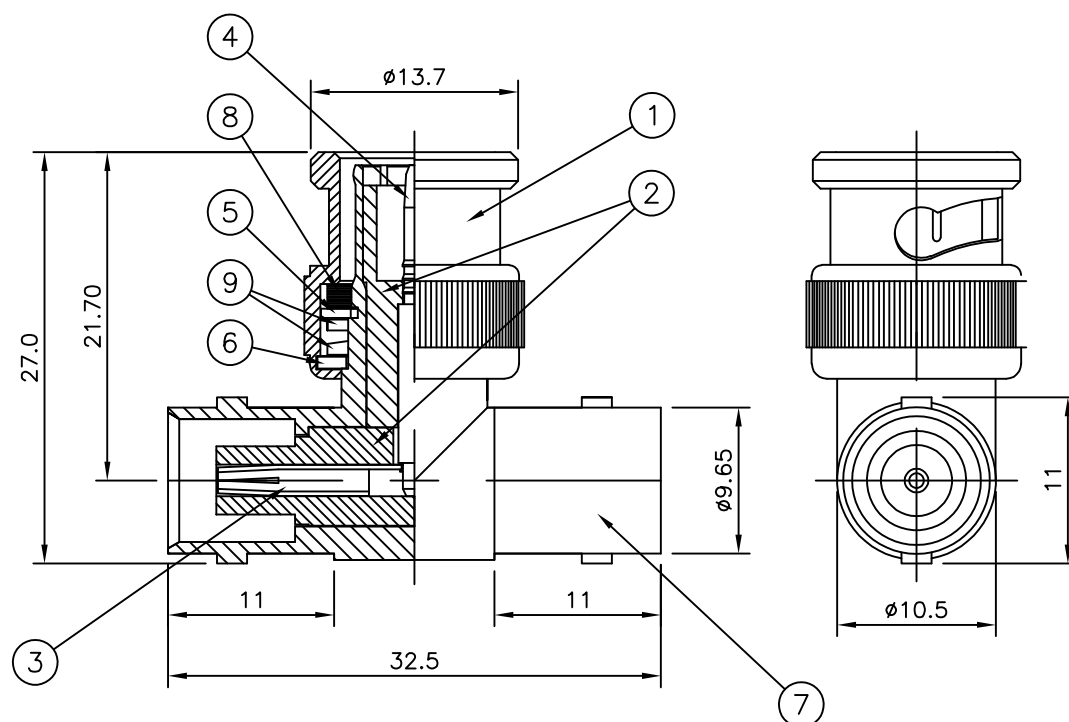
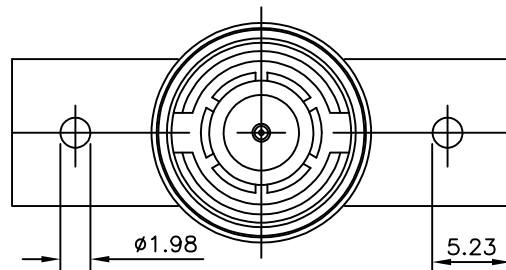
Address: A1208, Overseas Decoration Building, #122 Zhenhua RD., Futian, Shenzhen, China



LOC	DIST	REVISIONS			
P	LTR	DESCRIPTION	DATE	DWN	APVD
	B1	REVISED PER ECO-11-005033	01APR11	RK	HMR
	C	REVISED PER ECO-12-010042	29MAY2012	TITAN	MARTIN

NOTES

- ① 100 TRAY PACK IN ACCORDANCE WITH AMP SPEC 107-3275
- ② SINGLE PACK IN ACCORDANCE WITH AMP SPEC 107-3275
- ③ Au PLATING OVER Ni PLATING OVER Cu PLATING
- ④ Ni PLATING OVER Cu PLATING
- 5. FOR TECHNICAL DATA REFER TO YOUR LOCAL TE CONNECTIVITY SALES OFFICE
- 6. ALL DIMENSIONS ARE NOMINAL FOR REFERENCE ONLY UNLESS OTHERWISE STATED



Obsolete

QTY	QTY	MATERIAL	DESCRIPTION	ITEM
1	1	SPRING STEEL	SPRING	9
1	1	SILCON RUBBER	GASKET	8
1	1	ZINC ALLOY	③ BODY	7
1	1	BRASS	④ WASHER	6
1	1	BRASS	③ CIRCLIP	5
1	1	BRASS	③ MALE CONTACT	4
1	1	PHOSPHOR BRONZE	③ FEMALE CONTACT	3
2	2	PE-606	INSULATOR	2
1	1	ZINC ALLOY	④ SHELL	1
5--1	5--0	MATERIAL	DESCRIPTION	ITEM

THIS DRAWING IS A CONTROLLED DOCUMENT.		DWN RITA ZUO 10 Mar 09	<b>STE</b> TE Connectivity		
DIMENSIONS: mm		CHK ANSON MA 10 Mar 09			
TOLERANCES UNLESS OTHERWISE SPECIFIED:		APVD BOB ZHAO 10 Mar 09	NAME BNC T-ADAPTOR 50 OHMS		
0 PLC ± 0.5		PRODUCT SPEC 108-112000	DRAWING NO A300779 C-1634532		
1 PLC ± 0.3		APPLICATION SPEC	RESTRICTED TO		
2 PLC ± 0.2		—	SIZE A3	CAGE CODE 00779	DRAWING NO C-1634532
3 PLC ± -		MATERIAL	SCALE NTS		
4 PLC ± -		FINISH	SHEET 1 OF 1		
ANGLES ± -		SEE TABLE	REV C		
MATERIAL SEE TABLE		FINISH SEE TABLE	CUSTOMER DRAWING		