



Chipsmall Limited consists of a professional team with an average of over 10 year of expertise in the distribution of electronic components. Based in Hongkong, we have already established firm and mutual-benefit business relationships with customers from,Europe,America and south Asia,supplying obsolete and hard-to-find components to meet their specific needs.

With the principle of “Quality Parts,Customers Priority,Honest Operation,and Considerate Service”,our business mainly focus on the distribution of electronic components. Line cards we deal with include Microchip,ALPS,ROHM,Xilinx,Pulse,ON,Everlight and Freescale. Main products comprise IC,Modules,Potentiometer,IC Socket,Relay,Connector.Our parts cover such applications as commercial,industrial, and automotives areas.

We are looking forward to setting up business relationship with you and hope to provide you with the best service and solution. Let us make a better world for our industry!



## Contact us

Tel: +86-755-8981 8866 Fax: +86-755-8427 6832

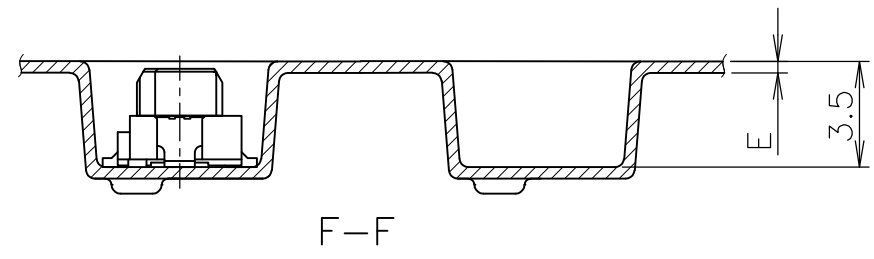
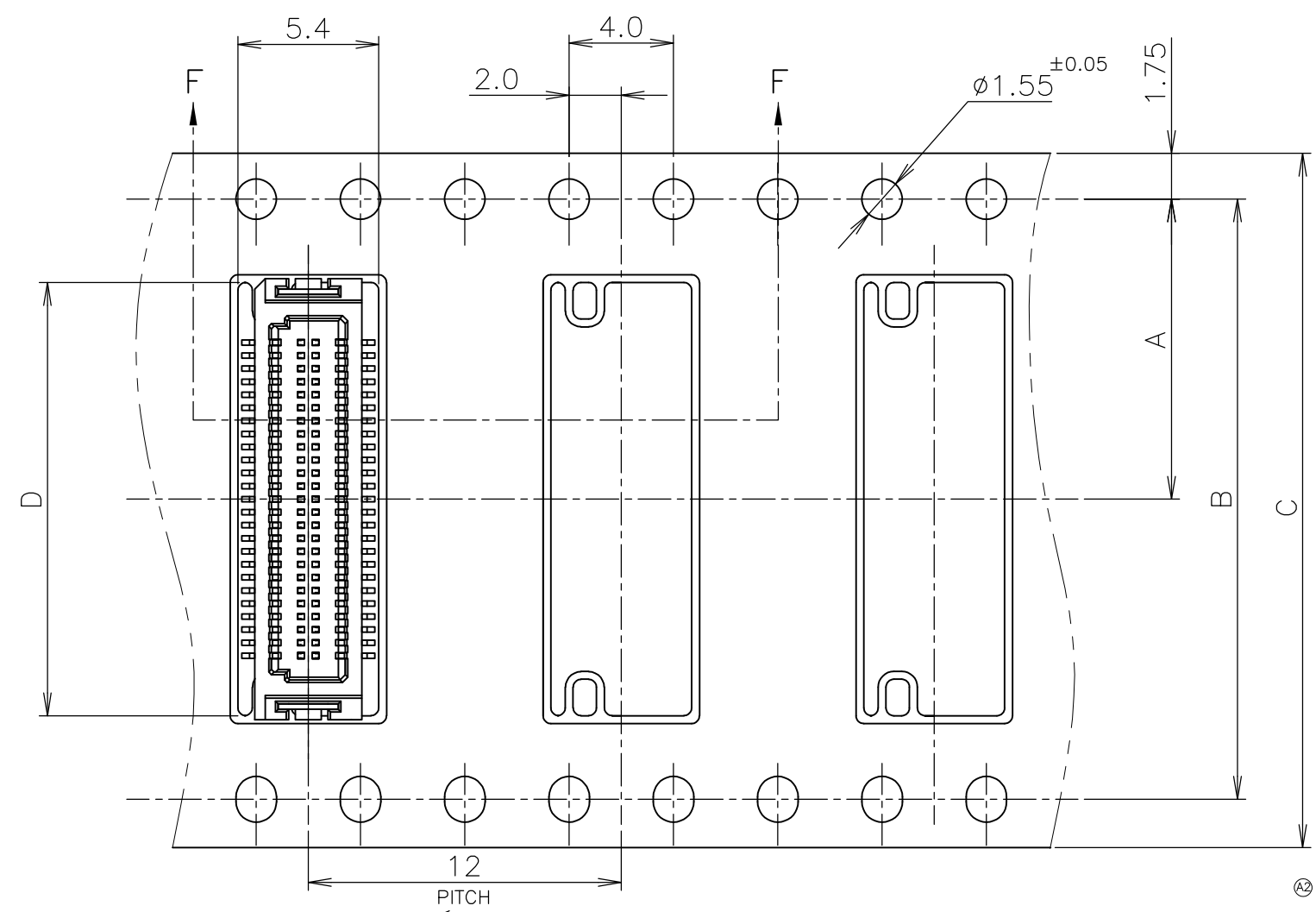
Email & Skype: info@chipsmall.com Web: www.chipsmall.com

Address: A1208, Overseas Decoration Building, #122 Zhenhua RD., Futian, Shenzhen, China



THIS DRAWING IS UNPUBLISHED. RELEASED FOR PUBLICATION FEB, 1997.  
 © COPYRIGHT 1997 By - ALL RIGHTS RESERVED.

LOC	DIST	REVISIONS					
J		P	LTR	DESCRIPTION	DATE	DWN	APVD
		A3		REVISED ECR-15-004483	23MAR2015	I.T	W.H



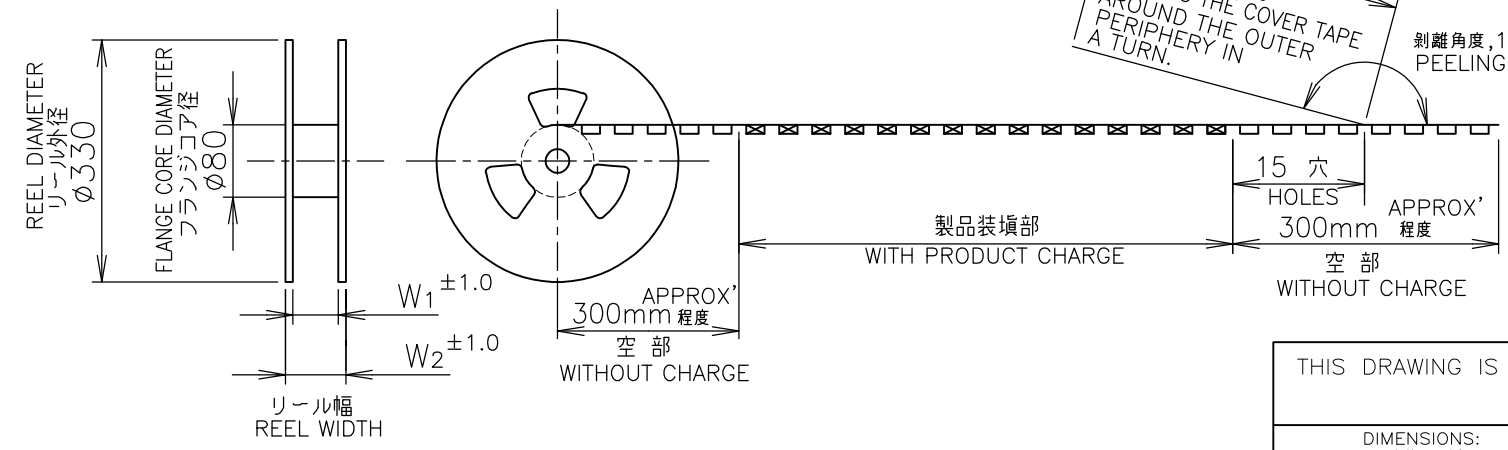
テープ幅  
TAPE WIDTH

BOSS	Material	W2	W1	E	D	C	B	A	QTY/REEL	POS	CONNECTOR P/N	TAPING P/N
WITH BOSS	N	36.7	33.5	0.4	22.2	32	28.4	14.2	1000	70	5-1747023-4	5-1747022-4
		49.5	45.5	0.38	24.7	40	40.4	20.2	1000	80	5-1747023-3	5-1747022-3
WITHOUT BOSS	N	20.7	17.5	0.38	8.7	16	7.5	7.5	1000	16	1-1747023-0	1-1747022-0
	Y	20.2	17.5	0.4	9.7	16	7.5	7.5	1000	20	1747023-9	6-1747022-9
	N	20.2	17.5	0.4	9.7	16	7.5	7.5	1000	20	1747023-9	1747022-9
WITHOUT BOSS	N	49.5	45.5	0.38	24.7	40	40.4	20.2	1000	80	1747023-3	1747022-3

Ⓜ OBSOLETE  
Ⓜ PRELIMINARY

引出し方向  
TOP OF REEL →

カバーテープ  
リーダー部  
外周一巻  
WEEDING THE COVER TAPE  
AROUND THE OUTER  
PERIPHERY IN  
A TURN.  
剥離角度, 165°~180°  
PEELING ANGLE.



鉛フリー  
LEAD FREE

THIS DRAWING IS A CONTROLLED DOCUMENT.

DIMENSIONS: 単位: 耗 MM	TOLERANCES UNLESS OTHERWISE SPECIFIED: 一般公差
0 PLC ± 0.2	
1 PLC ± 0.2	
2 PLC ± 0.2	
3 PLC ± 0.2	
4 PLC ± 0.2	
ANGLES ± 3°	
MATERIAL 材料	FINISH 仕上

INSTRUCTION SHEET  
取扱説明書  
411-5808

WIRE RANGE  
抱合電線断面積

INSULATION DIA  
被覆外径

DWN Y.NAKAZAWA 16APR04  
CHK



APVD  
PRODUCT SPEC  
製品規格  
108-5496  
APPLICATION SPEC  
取付適用規格

NAME 名称  
ON TAPING (EMBOSS)  
0.5mm PITCH FINE MATE CONN.  
RECEPTACLE ASSEMBLY WITH KEY & BOSS

WEIGHT

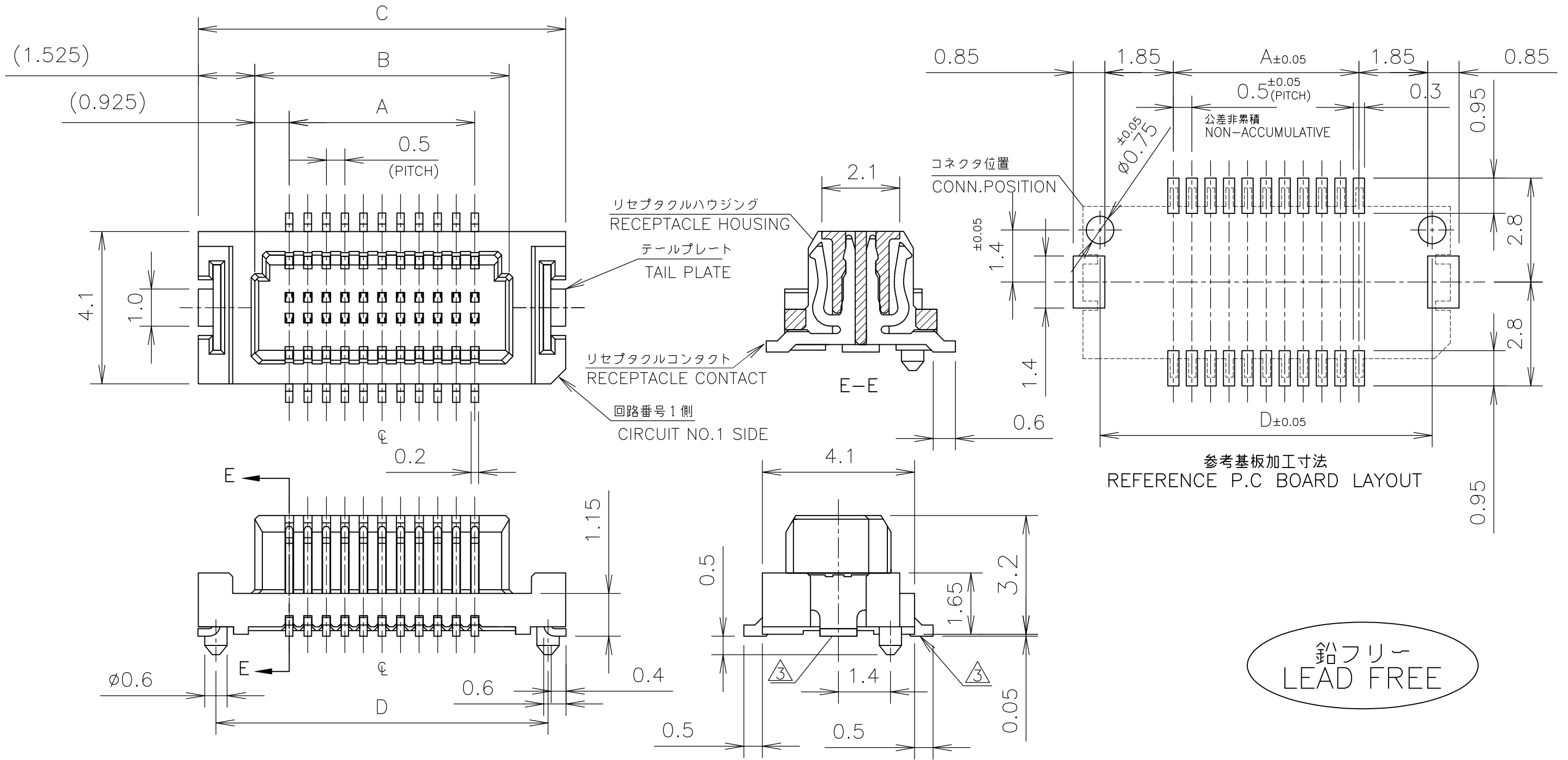
SIZE A3 CAGE CODE 00779 DRAWING NO. 番号 C-1747022 RESTRICTED TO

CUSTOMER DRAWING

SCALE 尺度 4:1 SHEET 1 OF 3 REV A3

THIS DRAWING IS UNPUBLISHED. RELEASED FOR PUBLICATION FEB, 1997.  
 © COPYRIGHT 1997 By - ALL RIGHTS RESERVED.

LOC	DIST	REVISIONS					
J		P	LTR	DESCRIPTION	DATE	DWN	APVD
		-		SEE SHEET 1	-	-	-



CONNECTOR 1747023\* AS SHOW

THIS DRAWING IS A CONTROLLED DOCUMENT.		INSTRUCTION SHEET 取扱説明書 411-5808		WIRE RANGE 抱合電線断面積 -		INSULATION DIA 被覆外径 -	
DWN		CHK		TE Connectivity		NAME 名称	
APVD		PRODUCT SPEC 製品規格 108-5496				ON TAPING (EMBOSS) 0.5mm PITCH FINE MATE CONN. RECEPTACLE ASSEMBLY WITH KEY & BOSS	
MATERIAL 材料		FINISH 仕上		APPLICATION SPEC 取付適用規格		RESTRICTED TO	
WEIGHT		SIZE		CAGE CODE		DRAWING NO 番号	
CUSTOMER DRAWING		SCALE 尺度 4:1		A3 00779		G-1747022	
		SHEET		2 OF 3		REV A3	

THIS DRAWING IS UNPUBLISHED.      RELEASED FOR PUBLICATION      FEB , 1997.  
 © COPYRIGHT 1997 By -      ALL RIGHTS RESERVED.

LOC	DIST	REVISIONS 変更					
J		P	LTR	DESCRIPTION	DATE	DWN	APVD
		-		SEE SHEET 1	-	-	-


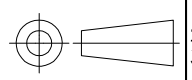
鉛フリー  
LEAD FREE

- 1 嵌合相手製品番号 : 1747039, 1747255 (V-TYPE)  
1747258 (H-TYPE)
- 2 材料 :  
リセプタクルハウジング : 耐熱性樹脂  
リセプタクルコンタクト : 銅合金 (t=0.2mm) 金めっき  
テールプレート : 銅合金 (t=0.2mm) 錫めっき
- △3 全てのタイン部及びテールプレートの  
バラツキは0.1mmMAX

- 1 MATING COUNTER PART NUMBER : 1747039, 1747255 (V-TYPE)  
1747258 (H-TYPE)
- 2 MATERIAL : REC HOUSING : HIGH HEAT-RESISTED RESIN, NYLON  
REC. CONTACT : COPPER-ALLOY(t=0.2mm)  
Au PLATING, 0.05~0.127um  
TAIL PLATE : COPPER-ALLOY(t=0.2mm)  
MATTE TIN PLATING, 2um Min
- △3 MISALIGNMENT BETWEEN TAINS AND TAIL PLATE : 0.1mmMAX

WITH BOSS										
	23.45	21.9	18.85	17	35	70	5-1747023-4			
	20.95	24.4	21.35	19.5	40	80	5-1747023-3			
WITHOUT BOSS										
		8.4	5.35	3.5	8	16	1-1747023-0			
		9.4	6.35	4.5	10	20	1747023-9			
		24.4	21.35	19.5	40	80	1747023-3			
	D	C	B	A	n	POS.	PART NO.			
DIMENSION										

CONNECTOR 1747023\* AS SHOW

THIS DRAWING IS A CONTROLLED DOCUMENT.		DWN		 TE Connectivity			
DIMENSIONS: 単位: 耗 MM		TOLERANCES UNLESS OTHERWISE SPECIFIED: 一般公差					
		0 PLC ± 0.2		APVD		NAME 名称	
		1 PLC ± 0.2		PRODUCT SPEC 製品規格 108-5496		ON TAPING (EMBOSS) 0.5mm PITCH FINE MATE CONN. RECEPTACLE ASSEMBLY WITH KEY & BOSS	
MATERIAL 材料		2 PLC ± 0.2		APPLICATION SPEC 取付適用規格		DRAWING NO 番号	
		3 PLC ± 0.2		WEIGHT		RESTRICTED TO	
		4 PLC ± 0.2		CUSTOMER DRAWING		SIZE	
		ANGLES ± 0.2				CAGE CODE	
		FINISH 仕上				A3 00779	
						DRAWING NO 番号	
						G-1747022	
						SCALE 尺度 4:1	
						SHEET 3 OF 3	
						REV A3	