



Chipsmall Limited consists of a professional team with an average of over 10 year of expertise in the distribution of electronic components. Based in Hongkong, we have already established firm and mutual-benefit business relationships with customers from,Europe,America and south Asia,supplying obsolete and hard-to-find components to meet their specific needs.

With the principle of “Quality Parts,Customers Priority,Honest Operation,and Considerate Service”,our business mainly focus on the distribution of electronic components. Line cards we deal with include Microchip,ALPS,ROHM,Xilinx,Pulse,ON,Everlight and Freescale. Main products comprise IC,Modules,Potentiometer,IC Socket,Relay,Connector.Our parts cover such applications as commercial,industrial, and automotives areas.

We are looking forward to setting up business relationship with you and hope to provide you with the best service and solution. Let us make a better world for our industry!



Contact us

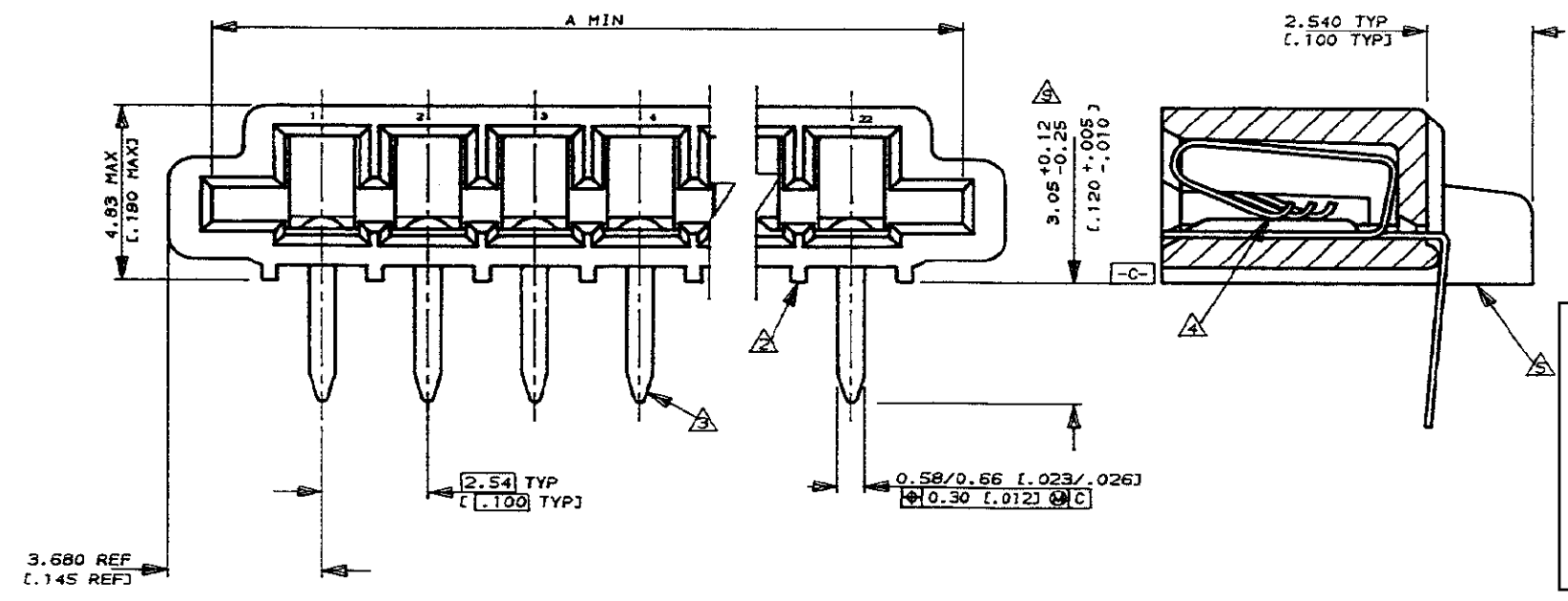
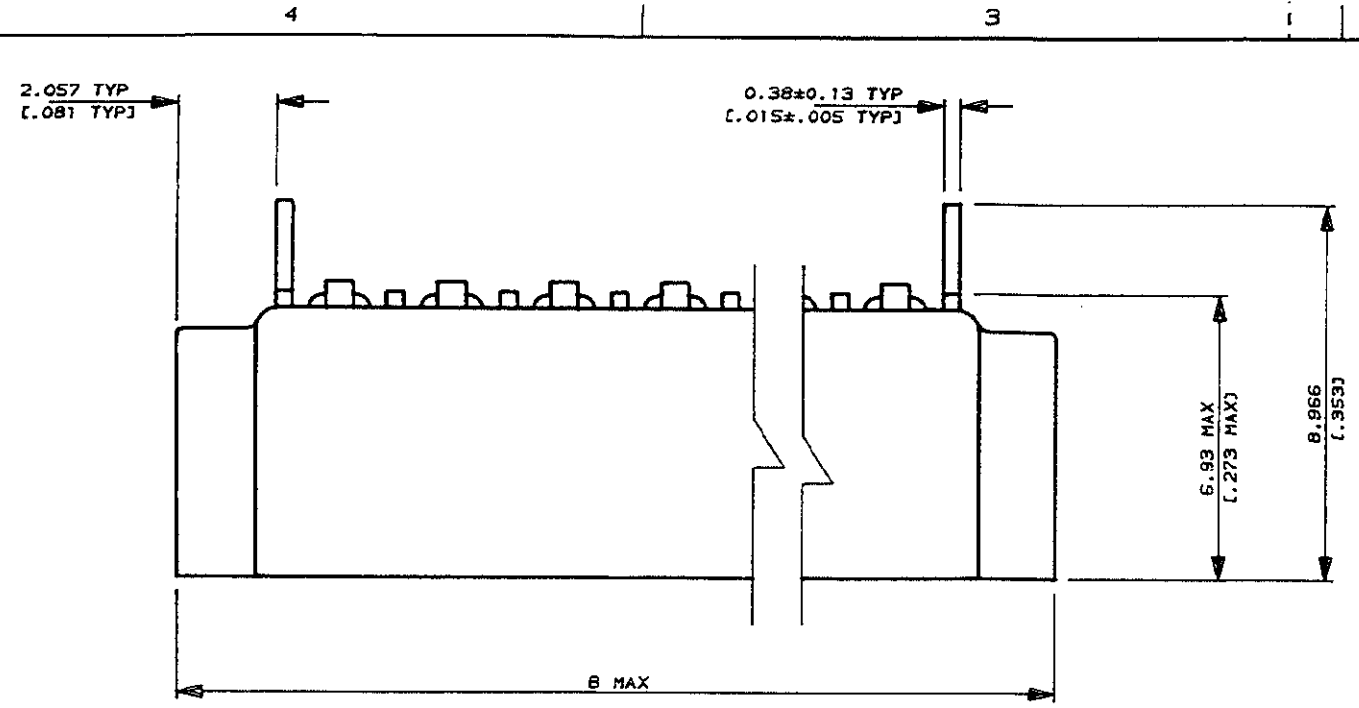
Tel: +86-755-8981 8866 Fax: +86-755-8427 6832

Email & Skype: info@chipsmall.com Web: www.chipsmall.com

Address: A1208, Overseas Decoration Building, #122 Zhenhua RD., Futian, Shenzhen, China



NUMBER 176982
 METRIC
 DIMENSIONS IN MM (INCHES). DO NOT SCALE PRINT
 PRINT DIST



- NOTES**
- CONNECTOR WILL ACCEPT FLEXIBLE PRINTED CIRCUIT OR FLAT FLEXIBLE CABLE ON 2.54 [.100] CENTERS IN A THICKNESS RANGE OF 0.127 TO 0.381 [.005 TO .015] IN CONTACT AREA
 - STAND-OFFS PREVENT SOLVENT ENTRAPMENT
 - LEAD-IN ON PINS FOR EASE OF INSERTION INTO BOARD
 - SEQUENTIAL CONTACTS REDUCE CABLE INSERTION FORCE
 - STABILIZING WING MAY BE REMOVED BY CUSTOMER IF NECESSARY
 - ACCEPTS CABLE OR CIRCUITRY WITH EXPOSED CONDUCTORS FACING TOWARD OR AWAY FROM THE BOARD SURFACE
 - REFER TO APPLICATION SPEC 114-2062
 - MATERIAL
HOUSING : GLASS REINFORCED POLYESTER THERMOPLASTIC UL 94 V0 RATED, BLACK
CONTACT : PHOS BRONZE WITH MATTE TIN FINISH
 - AREA INDICATED SHALL MEET SOLDERABILITY SPEC 109-11-1
 - OBsolete PARTS: OBsolete CIS STREAMLINING PER D.RENAUD/D.SINIS

	LEAD FREE			OBsolete	
7-176982-2	60.78 [2.393]	59.57 [2.306]	22	2-176982-2	
7-176982-1	58.24 [2.293]	56.03 [2.206]	21	2-176982-1	
7-176982-0	55.70 [2.193]	53.49 [2.106]	20	2-176982-0	
6-176982-9	53.16 [2.093]	50.95 [2.006]	19	1-176982-9	
6-176982-8	50.62 [1.993]	48.41 [1.906]	18	1-176982-8	
6-176982-7	48.08 [1.893]	45.87 [1.806]	17	1-176982-7	
6-176982-6	45.54 [1.793]	43.33 [1.706]	16	1-176982-6	
6-176982-5	43.00 [1.693]	40.79 [1.606]	15	1-176982-5	
6-176982-4	40.46 [1.593]	38.25 [1.506]	14	1-176982-4	
6-176982-3	37.92 [1.493]	35.71 [1.406]	13	1-176982-3	
6-176982-2	35.38 [1.393]	33.17 [1.306]	12	1-176982-2	
6-176982-1	32.84 [1.293]	30.63 [1.206]	11	1-176982-1	
6-176982-0	30.30 [1.193]	28.09 [1.106]	10	1-176982-0	
5-176982-9	27.76 [1.093]	25.55 [1.006]	9	176982-9	
5-176982-8	25.22 [.993]	23.01 [.906]	8	176982-8	
5-176982-7	22.68 [.893]	20.47 [.806]	7	176982-7	
5-176982-6	20.14 [.793]	17.93 [.706]	6	176982-6	
5-176982-5	17.60 [.693]	15.39 [.606]	5	176982-5	
5-176982-4	15.06 [.593]	12.85 [.506]	4	176982-4	
5-176982-3	12.52 [.493]	10.31 [.406]	3	176982-3	
5-176982-2	9.98 [.393]	7.77 [.306]	2	176982-2	

					PART NO	B	A	POS	PART NO	
					Copyright ©1993		Copyright ©1993		TE Connectivity	
					TE MFG (S) PTE LTD.		ALL RIGHTS RESERVED.		TE Connectivity	
C3	ECR-10-022530	KK	HMR	03FEB11	(WIRE RANGE)	(INSULATION DIA.)	(NAME)			
C2	REVISED PER ECO-09-022424	KK	AEG	01OCT09	mm ² (AWG -)	mm	TRIOMATE HORIZONTAL CABLE ENTRY			
C1	REVISED AS PER ECR-06-04332	PM	KS	21FEB06	(MATERIAL)	(FINISH)	FOR 1.57 [.062] THK P.C. BOARD			
C	FR00-0011-04	SD	PCH	19-FEB-04	△	CONTACTS	(GENERAL TOLERANCE)	SIZE	LOC	(No.)
B	REDRAWN DY/EC/0784	LWY	SL	20.7.93	DR. WYLEE 20.7.93	DE. A. SOH	±0.38	A3	DY	176982
LTR	(REVISION RECORD)	DR	CHK	DATE	CHK. SALLY 20.7.93	APP. PETER de JONG	[±.015]	(SCALE)	REV.	SHEET
							6:1	C3	1	OF 1

(CUSTOMER DRAWING)