



Chipsmall Limited consists of a professional team with an average of over 10 year of expertise in the distribution of electronic components. Based in Hongkong, we have already established firm and mutual-benefit business relationships with customers from,Europe,America and south Asia,supplying obsolete and hard-to-find components to meet their specific needs.

With the principle of “Quality Parts,Customers Priority,Honest Operation,and Considerate Service”,our business mainly focus on the distribution of electronic components. Line cards we deal with include Microchip,ALPS,ROHM,Xilinx,Pulse,ON,Everlight and Freescale. Main products comprise IC,Modules,Potentiometer,IC Socket,Relay,Connector.Our parts cover such applications as commercial,industrial, and automotives areas.

We are looking forward to setting up business relationship with you and hope to provide you with the best service and solution. Let us make a better world for our industry!



## Contact us

Tel: +86-755-8981 8866 Fax: +86-755-8427 6832

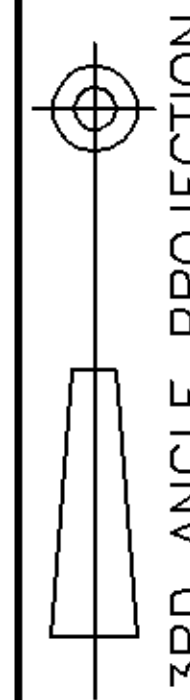
Email & Skype: info@chipsmall.com Web: www.chipsmall.com

Address: A1208, Overseas Decoration Building, #122 Zhenhua RD., Futian, Shenzhen, China





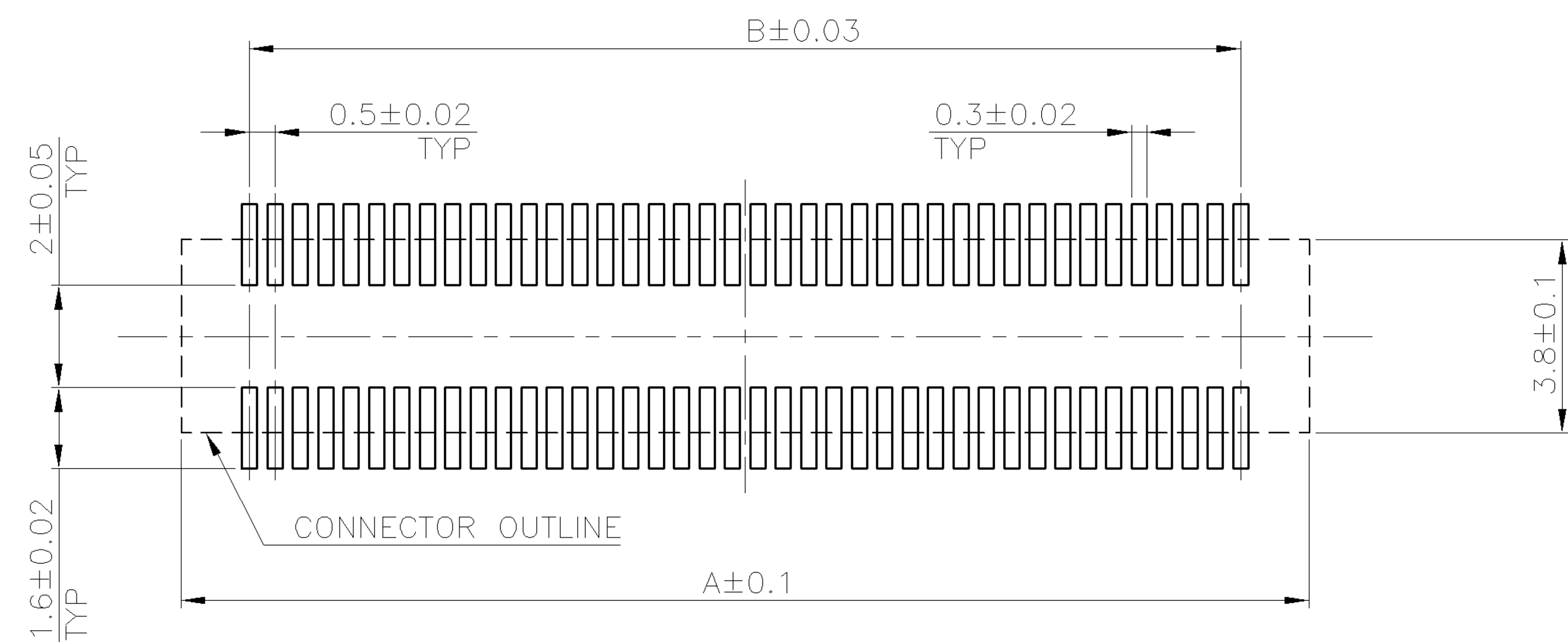
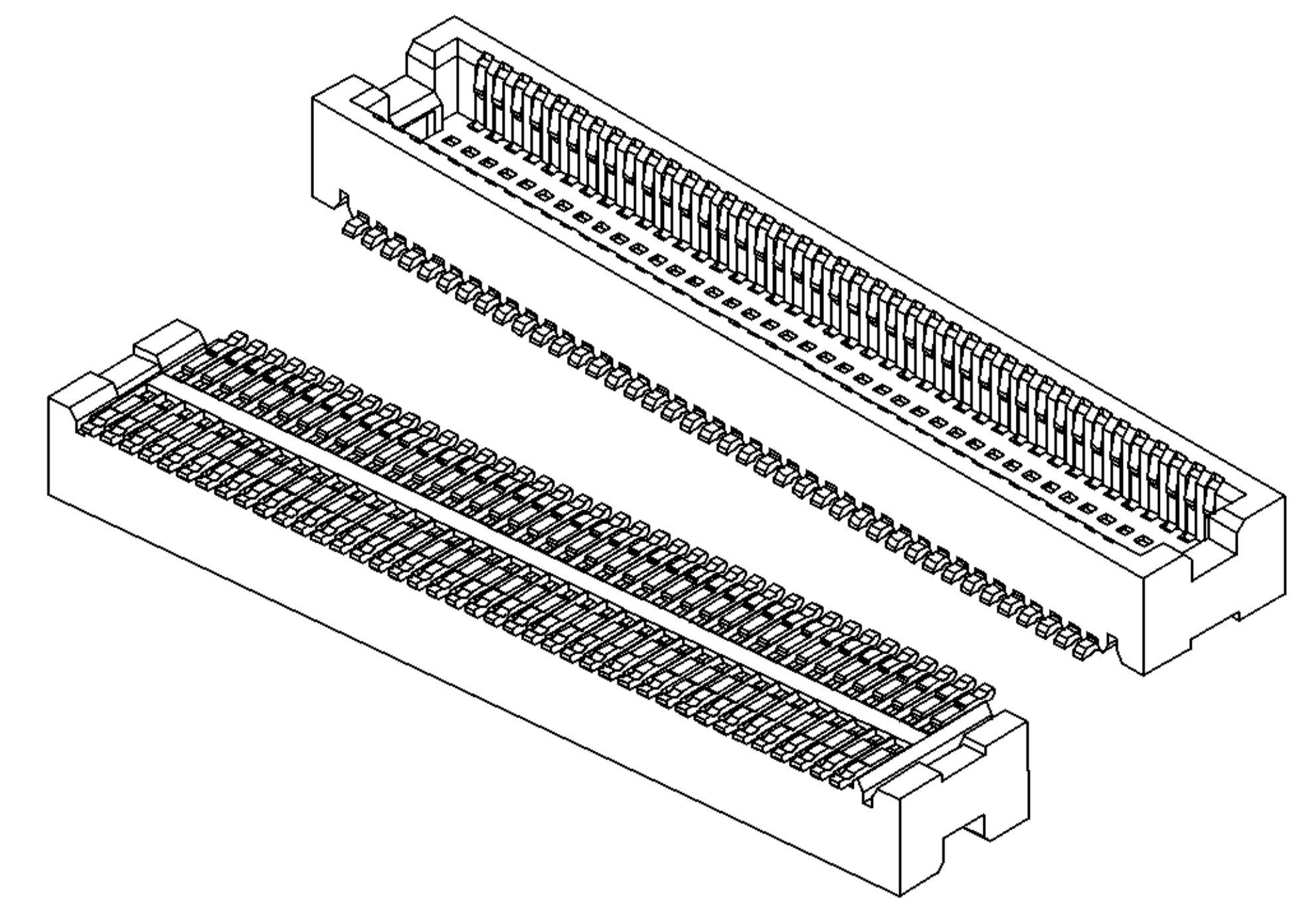
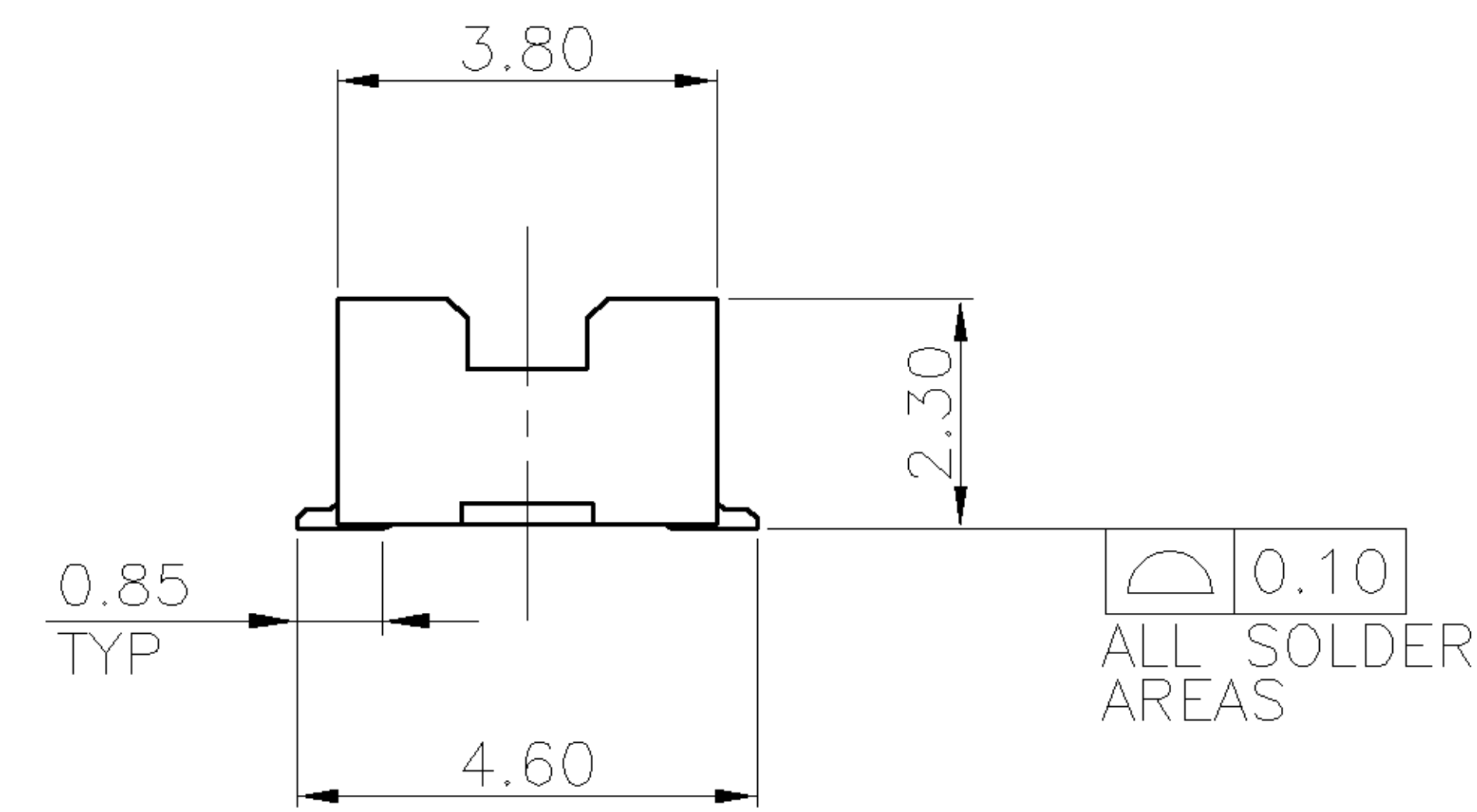
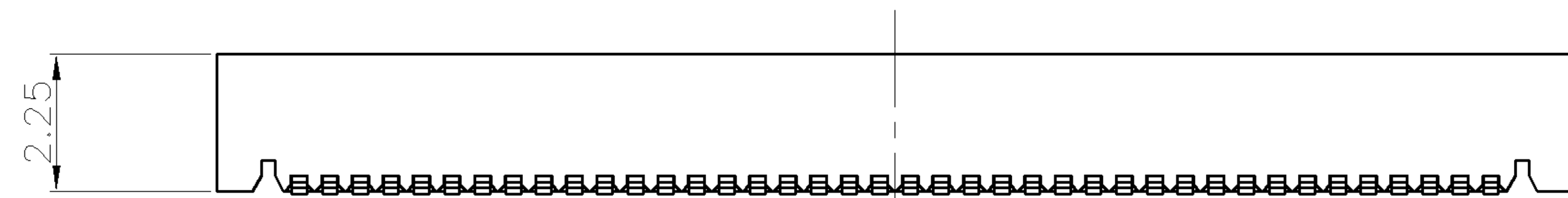
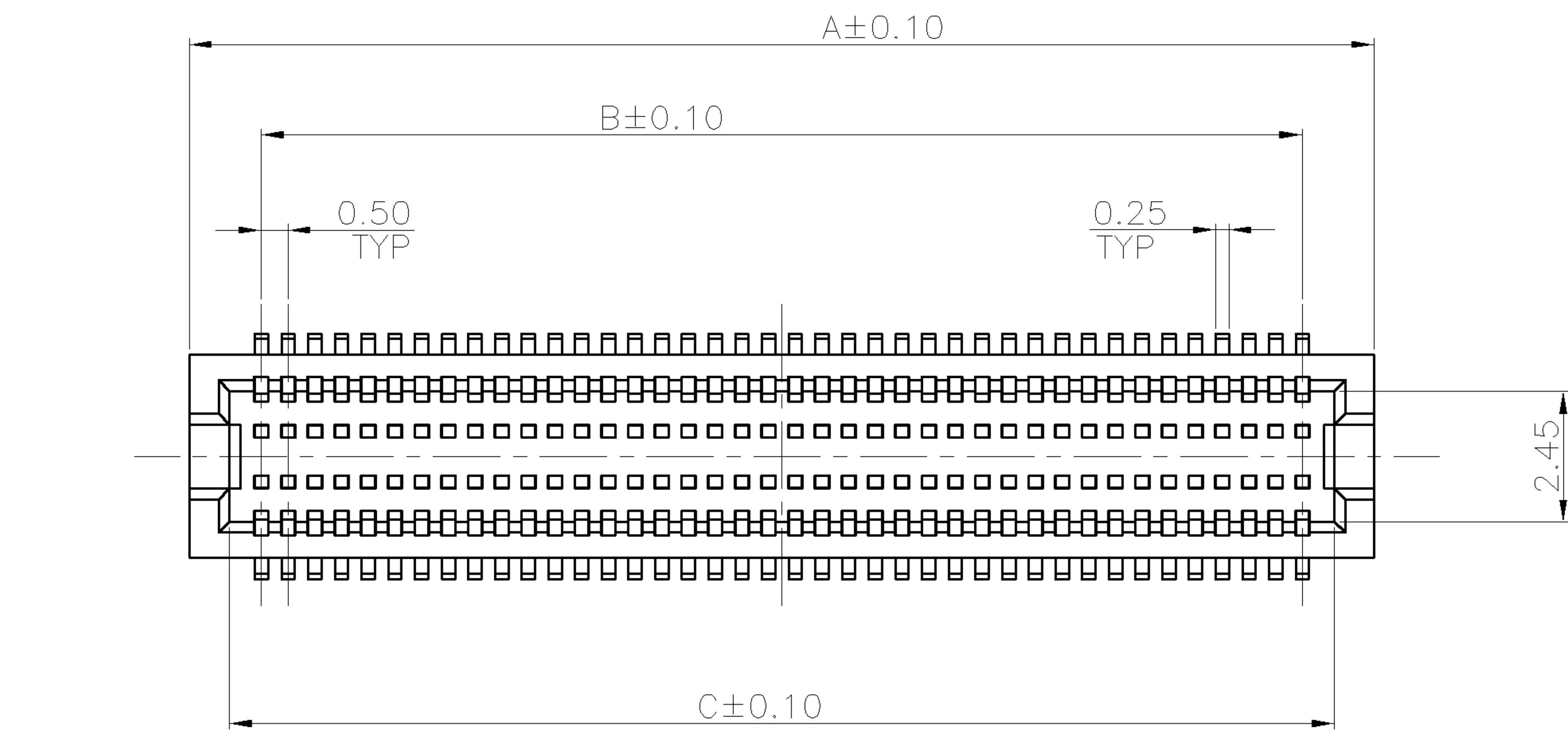
NUMBER  
C-1775169



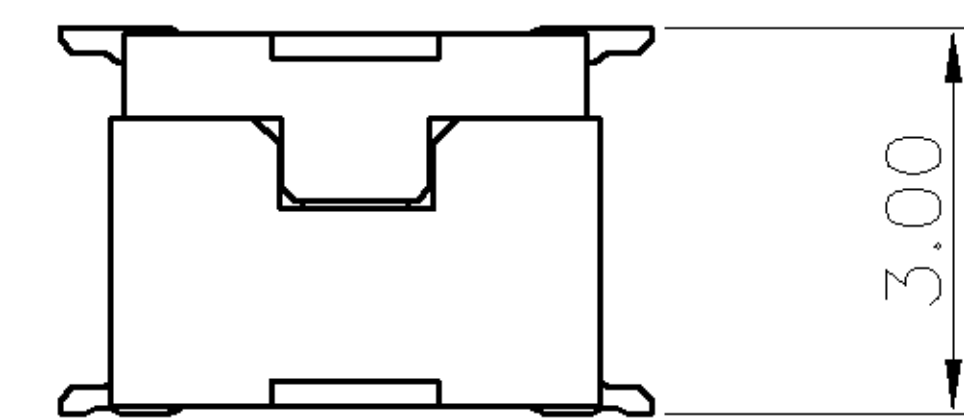
METRIC

THIS INFORMATION IS CONFIDENTIAL AND IS DISCLOSED TO YOU ON CONDITION THAT NO FURTHER DISCLOSURE IS MADE BY YOU TO OTHER THAN AMP PERSONNEL WITHOUT WRITTEN AUTHORIZATION FROM AMP (TAIWAN) LTD. DIMENSIONS IN MILLIMETERS. DO NOT SCALE PRINT.

PRINT DIST  
DW



RECOMMENDED P.C. BOARD LAYOUT



STACKING HEIGHT

NOTE:

- MATERIAL:  
HOUSING: THERMOPLASTIC WITH 30% G/F, UL 94V-0, BLACK COLOR.  
CONTACTS: PHOSPHOR BRONZE.
- FINISH:  
CONTACTS: 5μ" MIN. GOLD PLATED OVER, 50μ" MIN. NICKEL ON ENTIRE CONTACT.
- REFLOW SOLDER CAPABLE TO 260°C AS PER TYCO SPEC. 109-201, CONDITION B.
- NO TYCO LOGO AND DATE CODE ON THE PRODUCT.
- RECEPTACLE PART NUMBERS (BASE NO.#): 1775187 THRU 1775190.

0.259g	15.70	14.50	17.20	60	6-1775169-0
0.216g	13.20	12.00	14.70	50	5-1775169-0
0.173g	10.70	9.50	12.20	40	4-1775169-0
0.136g	8.20	7.00	9.70	30	3-1775169-0
0.090g	5.70	4.50	7.20	20	2-1775169-0
WEIGHT	C	B	A	NO. OF CONTACTS	PART NUMBER
DIMENSIONS					

TOLERANCES UNLESS OTHERWISE SPECIFIED: 0 PLC ±0.50 1 PLC ±0.38 2 PLC ±0.25 3 PLC ±0.15 ANGLES ±5°		DWN A. WU 09-SEP-2005	TYCO HOLDINGS (BERMUDA) VII LTD. TAIWAN BRANCH <b>Electronics</b> NAME		
MATERIAL  SEE NOTE		CHK S. HOU 09-SEP-2005	BOARD TO BOARD CONNECTOR, 0.5 MM PITCH, FINE-MATE, PLUG, 3H		
FINISH  SEE NOTE		APVD W.J. KE 09-SEP-2005	QUALIFICATION TEST REPORT 501-57669	LOC DW	SIZE A <sub>3</sub>
O FIRST RELEASED -- AW SH 09SEP 2005		PRODUCT SPEC 108-57578	WEIGHT SEE TABLE	DRAWING NO C-1775169	REV O
LTR REVISION RECORD ECN	DWN CHK DATE	SCALE --		SHEET 1 OF 2	

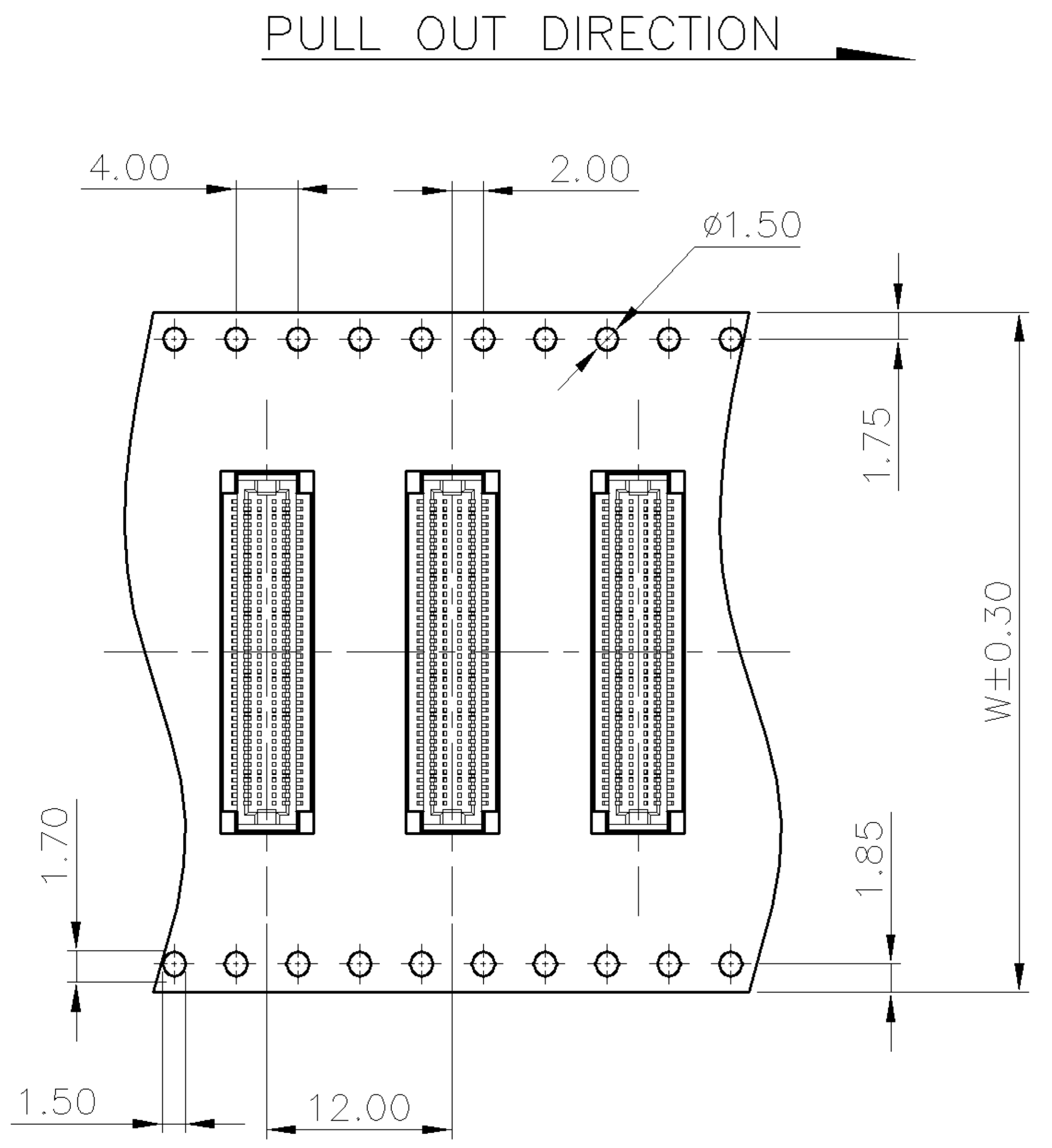
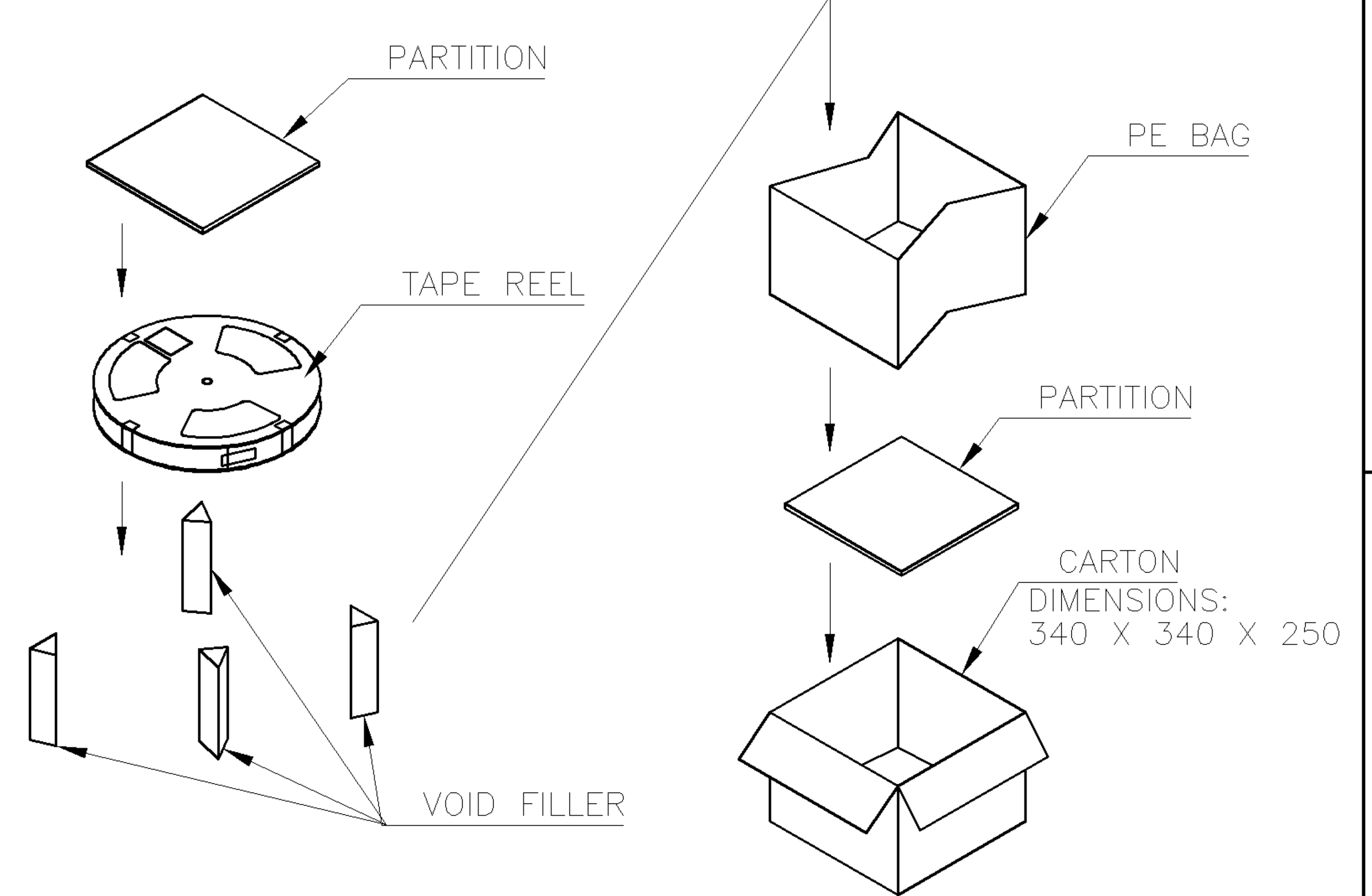
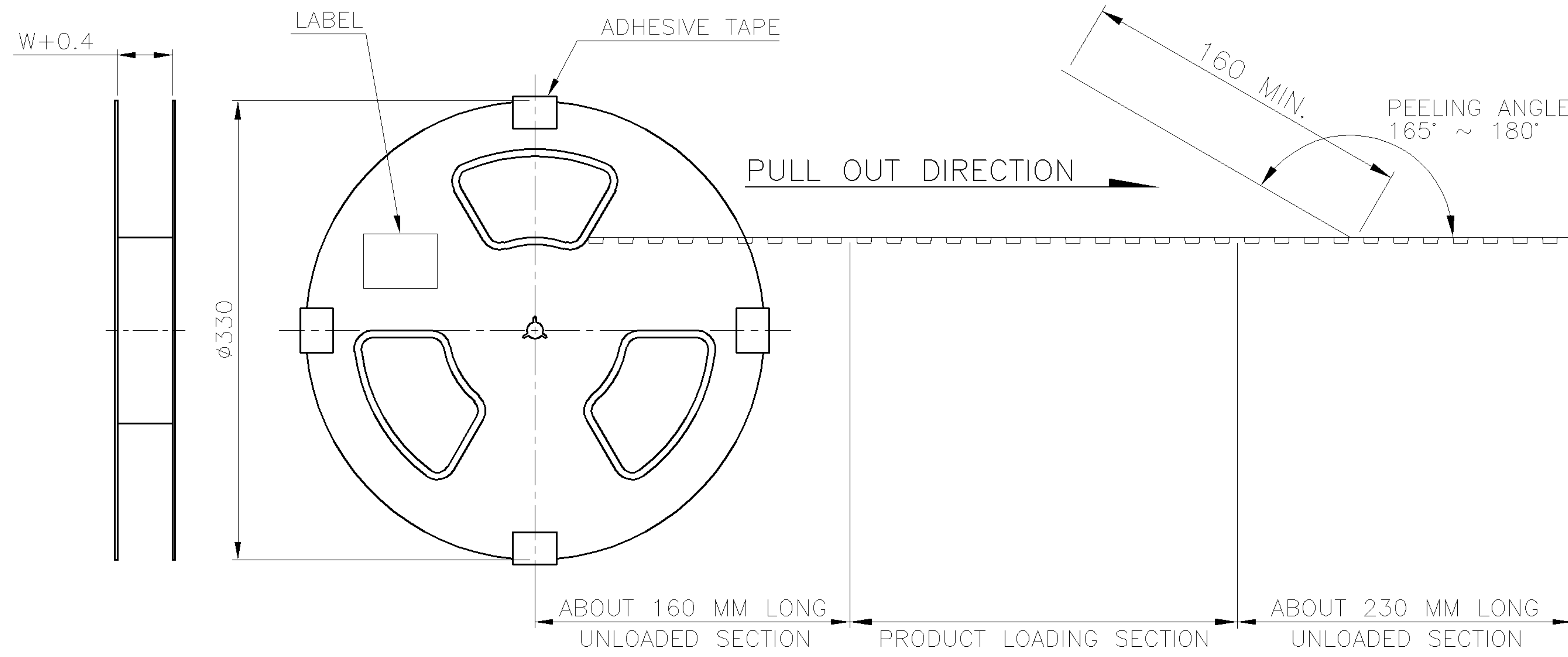

NUMBER  
C-1775169

3RD ANGLE PROJECTION

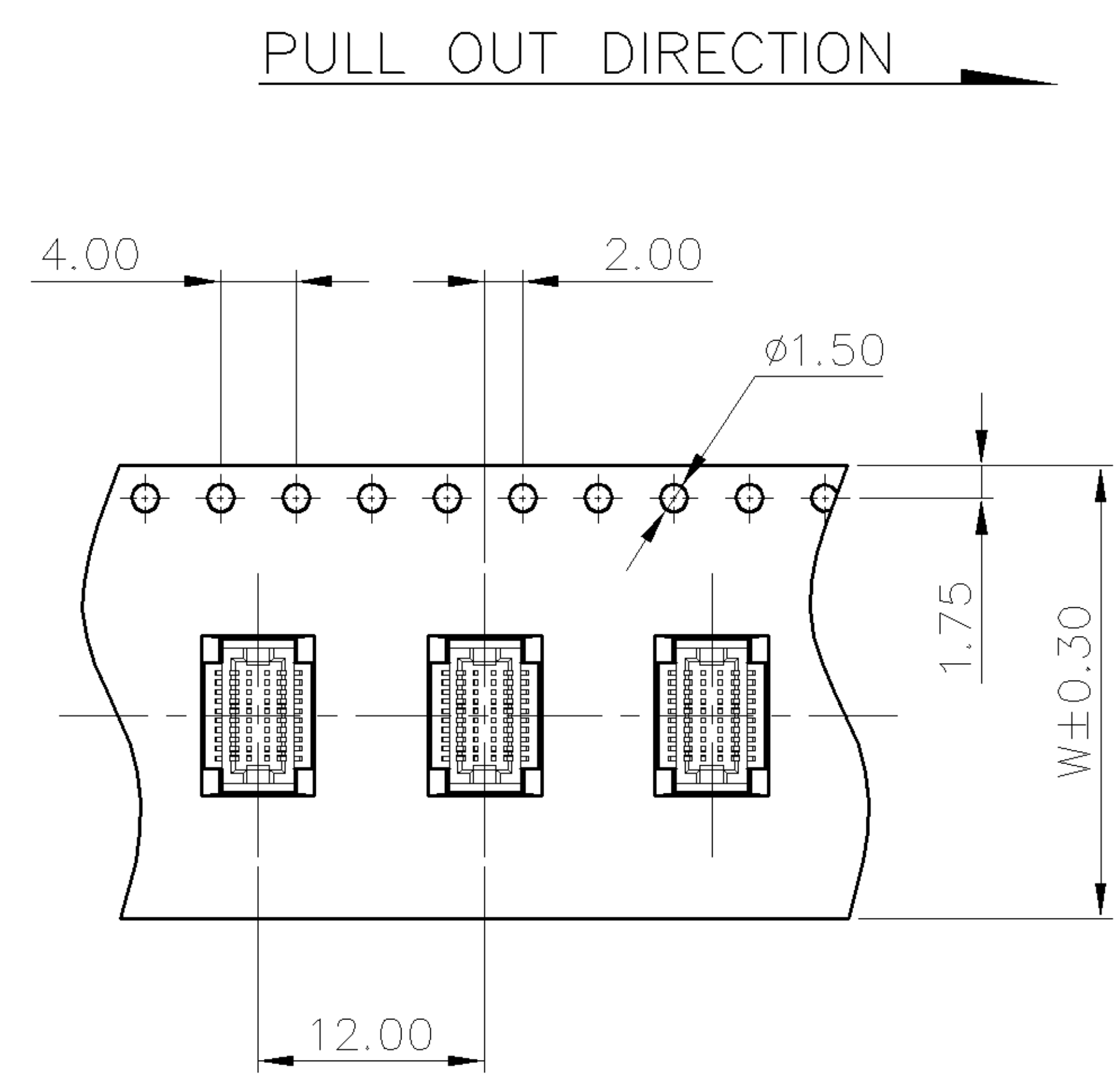
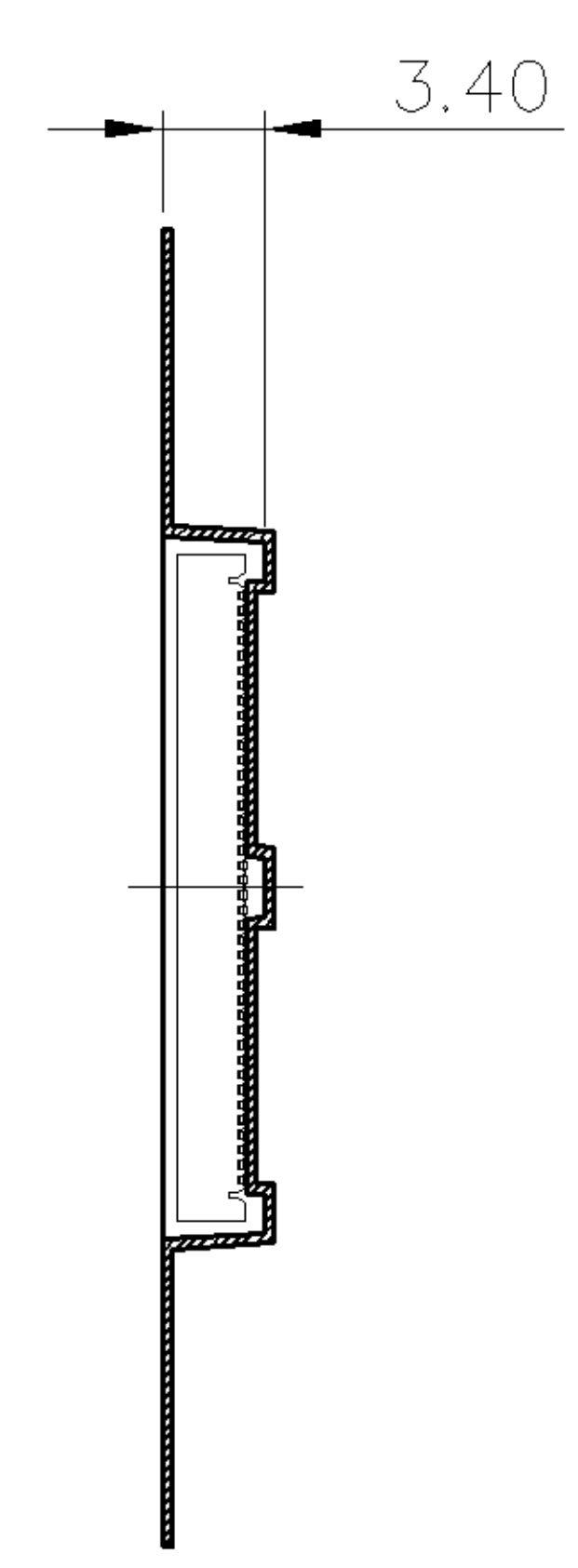
METRIC

THIS INFORMATION IS CONFIDENTIAL AND IS DISCLOSED TO YOU ON CONDITION THAT NO FURTHER DISCLOSURE IS MADE BY YOU TO OTHER THAN AMP PERSONNEL WITHOUT WRITTEN AUTHORIZATION FROM AMP (TAIWAN) LTD. DIMENSIONS IN MILLIMETERS. DO NOT SCALE PRINT.

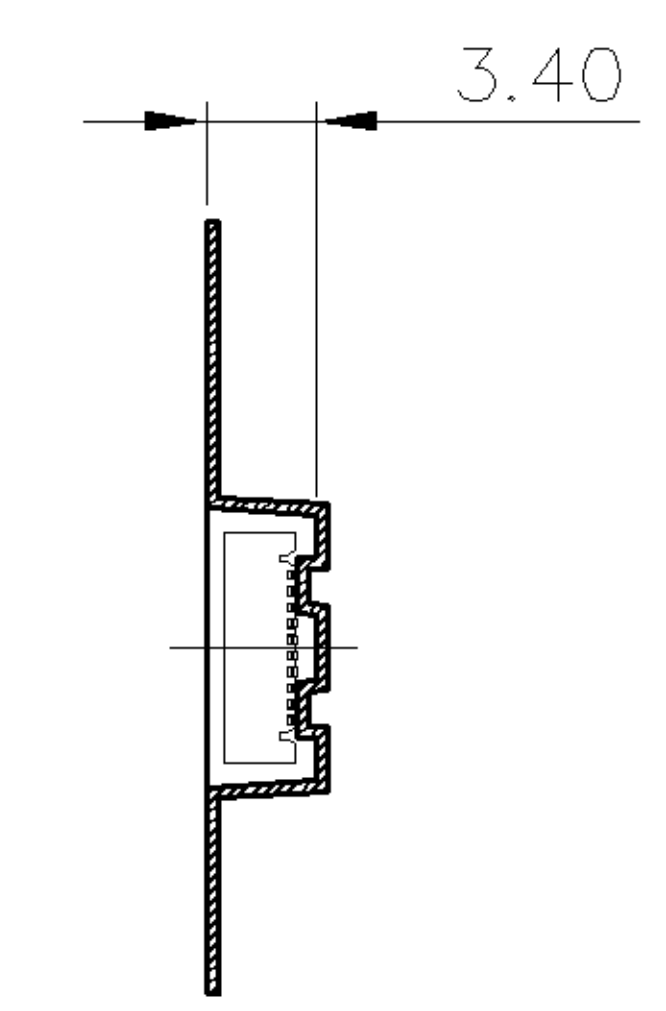
PRINT  
DW



CARRIER FOR 50 THRU 60 POSITION



CARRIER FOR 20 THRU 40 POSITION



1000	6	6000	32	5.55	1.55	60
				5.30	1.35	50
	7	7000	24	5.38	1.21	40
				5.32	1.30	30
				5.00	0.63	20
PCS/REEL	REELS/CARTON	QUANTITY	DIM W	G/W (KG)	N/W (KG)	NO. OF POS.

TOLERANCES UNLESS OTHERWISE SPECIFIED: 0 PLC ±- 1 PLC ±- 2 PLC ±- 3 PLC ±- ANGLES ±-		DWN A. WU 09-SEP-2005	<b>tyco</b> TYCO HOLDINGS (BERMUDA) VII LTD. TAIWAN BRANCH <b>Electronics</b> NAME			
MATERIAL -	APVD W.J. KE 09-SEP-2005	CHK S. HOU 09-SEP-2005	BOARD TO BOARD CONNECTOR, 0.5 MM PITCH, FINE-MATE, PLUG, 3H			
FINISH -	PRODUCT SPEC	APPLICATION SPEC	LOC DW	SIZE A <sub>3</sub>	DRAWING NO C-1775169	REV O
	WEIGHT		SCALE --	SHEET 2 OF 2		

SEE SHEET 1.	ECN	DWN CHK	DATE
LTR	REVISION RECORD		