



Chipsmall Limited consists of a professional team with an average of over 10 year of expertise in the distribution of electronic components. Based in Hongkong, we have already established firm and mutual-benefit business relationships with customers from,Europe,America and south Asia,supplying obsolete and hard-to-find components to meet their specific needs.

With the principle of “Quality Parts,Customers Priority,Honest Operation,and Considerate Service”,our business mainly focus on the distribution of electronic components. Line cards we deal with include Microchip,ALPS,ROHM,Xilinx,Pulse,ON,Everlight and Freescale. Main products comprise IC,Modules,Potentiometer,IC Socket,Relay,Connector.Our parts cover such applications as commercial,industrial, and automotives areas.

We are looking forward to setting up business relationship with you and hope to provide you with the best service and solution. Let us make a better world for our industry!



Contact us

Tel: +86-755-8981 8866 Fax: +86-755-8427 6832

Email & Skype: info@chipsmall.com Web: www.chipsmall.com

Address: A1208, Overseas Decoration Building, #122 Zhenhua RD., Futian, Shenzhen, China



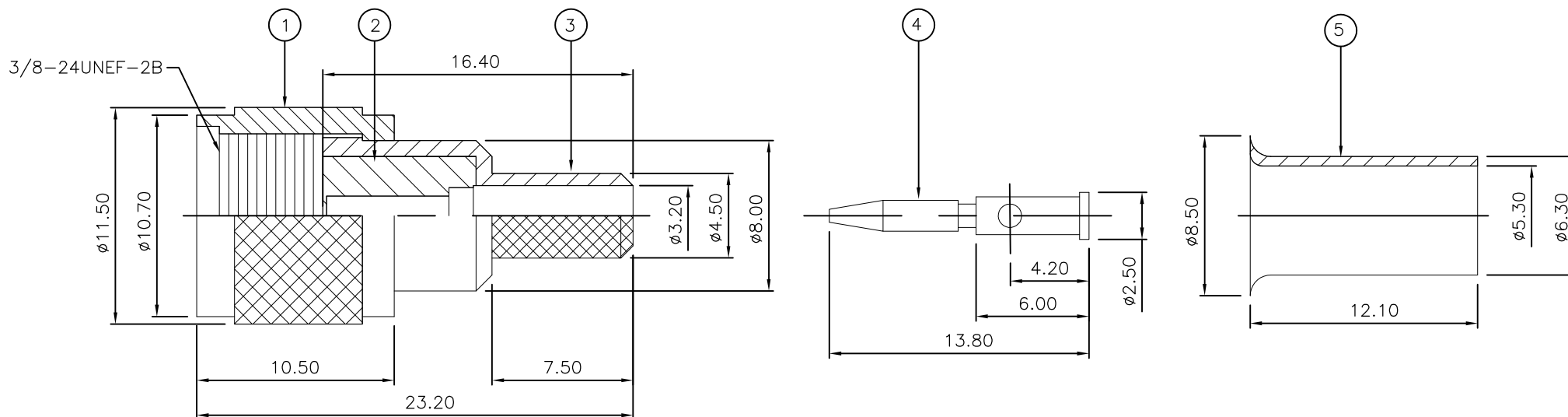
THIS DRAWING IS UNPUBLISHED. RELEASED FOR PUBLICATION AUGUST ,2006.

© COPYRIGHT 2006 By - ALL RIGHTS RESERVED.

| LOC | DIST | REVISIONS | | | |
|-----|------|-------------------------------|---------|-------|--------|
| P | LTR | DESCRIPTION | DATE | DWN | APVD |
| E | B | | | | |
| | B | REVISED PER ECO-09-003420 | 18JAN09 | ANS | BOB |
| | C | REVISED PER ECO ECO-11-021584 | 01NOV11 | TITAN | MARTIN |

NOTES:

- 1 PACK IN ACCORDANCE WITH AMP SPEC 107-3275
- 2 100 TRAY PACK IN ACCORDANCE WITH AMP SPEC 107-3275
- 3 Au PLATING
- 4 Ni PLATING
- 5 HAND TOOL : 9-1478240-0
- 6 DIE SET : 9-1478242-0
- 7 FOR TECHNICAL DATA REFER TO YOUR LOCAL TYCO ELECTRONICS SALES OFFICE
- 8 ALL DIMENSIONS ARE NOMINAL FOR REFERENCE ONLY UNLESS OTHERWISE STATED



| QTY | REV | REV | MATERIAL | DESCRIPTION | ITEM |
|------------|------|-----|----------|--------------|------|
| 1 | 1 | 1 | BRASS | FERRULE | 5 |
| 1 | 1 | 1 | BRASS | CONTACT | 4 |
| 1 | 1 | 1 | ZINC | BODY | 3 |
| 1 | 1 | 1 | DELTRIN | INSULATION | 2 |
| 1 | 1 | 1 | ZINC | COUPLING NUT | 1 |
| 5--1 | 5--0 | | MATERIAL | DESCRIPTION | ITEM |
| PARTS LIST | | | | | |

| | | | | | | | | | | | | | | | | | | |
|---|-------|------------------|----------|---------|----------------------------|-----------|-------|-------|-------|-----|-------|-----|--------|------|--------------|------------|--|------|
| THIS DRAWING IS A CONTROLLED DOCUMENT. | | DWN | ANSON MA | 14FEB09 | STE TE Connectivity | | | | | | | | | | | | | |
| DIMENSIONS: mm | | CHK | RITA ZUO | 14FEB09 | | | | | | | | | | | | | | |
| TOLERANCES UNLESS OTHERWISE SPECIFIED: | | APVD | BOB ZHAO | 14FEB09 | | | | | | | | | | | | | | |
| <table border="0"> <tr><td>0 PLC</td><td>± 0.5</td></tr> <tr><td>1 PLC</td><td>± 0.3</td></tr> <tr><td>2 PLC</td><td>± 0.2</td></tr> <tr><td>3 PLC</td><td>± -</td></tr> <tr><td>4 PLC</td><td>± -</td></tr> <tr><td>ANGLES</td><td>± 3°</td></tr> </table> | | 0 PLC | ± 0.5 | 1 PLC | | ± 0.3 | 2 PLC | ± 0.2 | 3 PLC | ± - | 4 PLC | ± - | ANGLES | ± 3° | PRODUCT SPEC | 108-112000 | | NAME |
| 0 PLC | ± 0.5 | | | | | | | | | | | | | | | | | |
| 1 PLC | ± 0.3 | | | | | | | | | | | | | | | | | |
| 2 PLC | ± 0.2 | | | | | | | | | | | | | | | | | |
| 3 PLC | ± - | | | | | | | | | | | | | | | | | |
| 4 PLC | ± - | | | | | | | | | | | | | | | | | |
| ANGLES | ± 3° | | | | | | | | | | | | | | | | | |
| MATERIAL SEE TABLE | | FINISH | - | | APPLICATION SPEC | - | | | | | | | | | | | | |
| | | WEIGHT | - | | SIZE | A3 | | | | | | | | | | | | |
| | | CUSTOMER DRAWING | | | CAGE CODE | 00779 | | | | | | | | | | | | |
| | | | | | DRAWING NO | C-1814818 | | | | | | | | | | | | |
| | | | | | RESTRICTED TO | - | | | | | | | | | | | | |
| | | | | | SCALE | NTS | | | | | | | | | | | | |
| | | | | | SHEET | 1 OF 1 | | | | | | | | | | | | |
| | | | | | REV | C | | | | | | | | | | | | |