



Chipsmall Limited consists of a professional team with an average of over 10 year of expertise in the distribution of electronic components. Based in Hongkong, we have already established firm and mutual-benefit business relationships with customers from,Europe,America and south Asia,supplying obsolete and hard-to-find components to meet their specific needs.

With the principle of “Quality Parts,Customers Priority,Honest Operation,and Considerate Service”,our business mainly focus on the distribution of electronic components. Line cards we deal with include Microchip,ALPS,ROHM,Xilinx,Pulse,ON,Everlight and Freescale. Main products comprise IC,Modules,Potentiometer,IC Socket,Relay,Connector.Our parts cover such applications as commercial,industrial, and automotives areas.

We are looking forward to setting up business relationship with you and hope to provide you with the best service and solution. Let us make a better world for our industry!



## Contact us

Tel: +86-755-8981 8866 Fax: +86-755-8427 6832

Email & Skype: info@chipsmall.com Web: www.chipsmall.com

Address: A1208, Overseas Decoration Building, #122 Zhenhua RD., Futian, Shenzhen, China

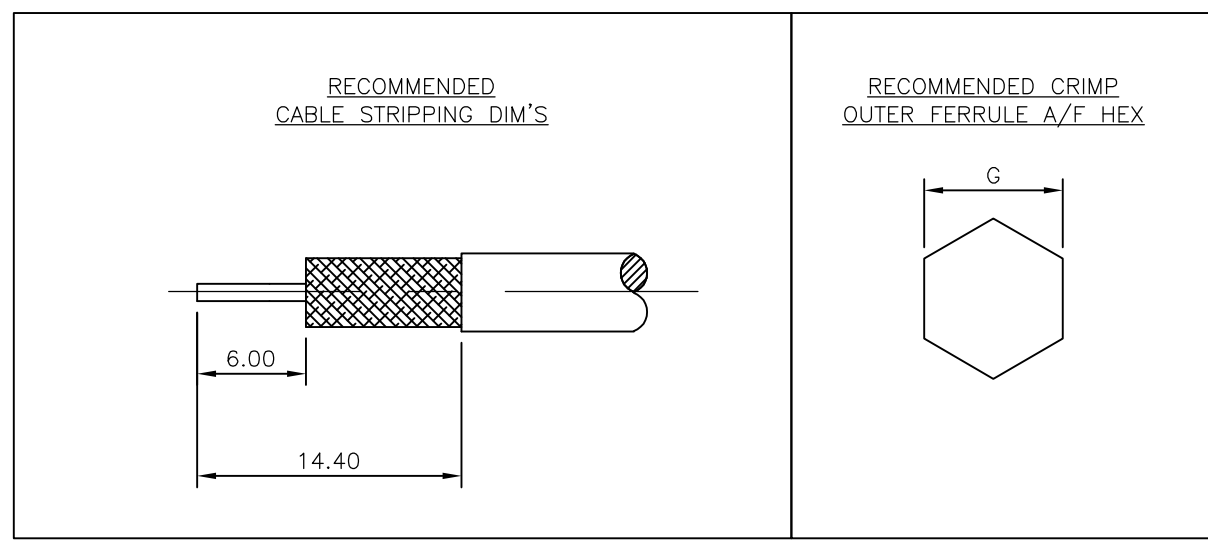
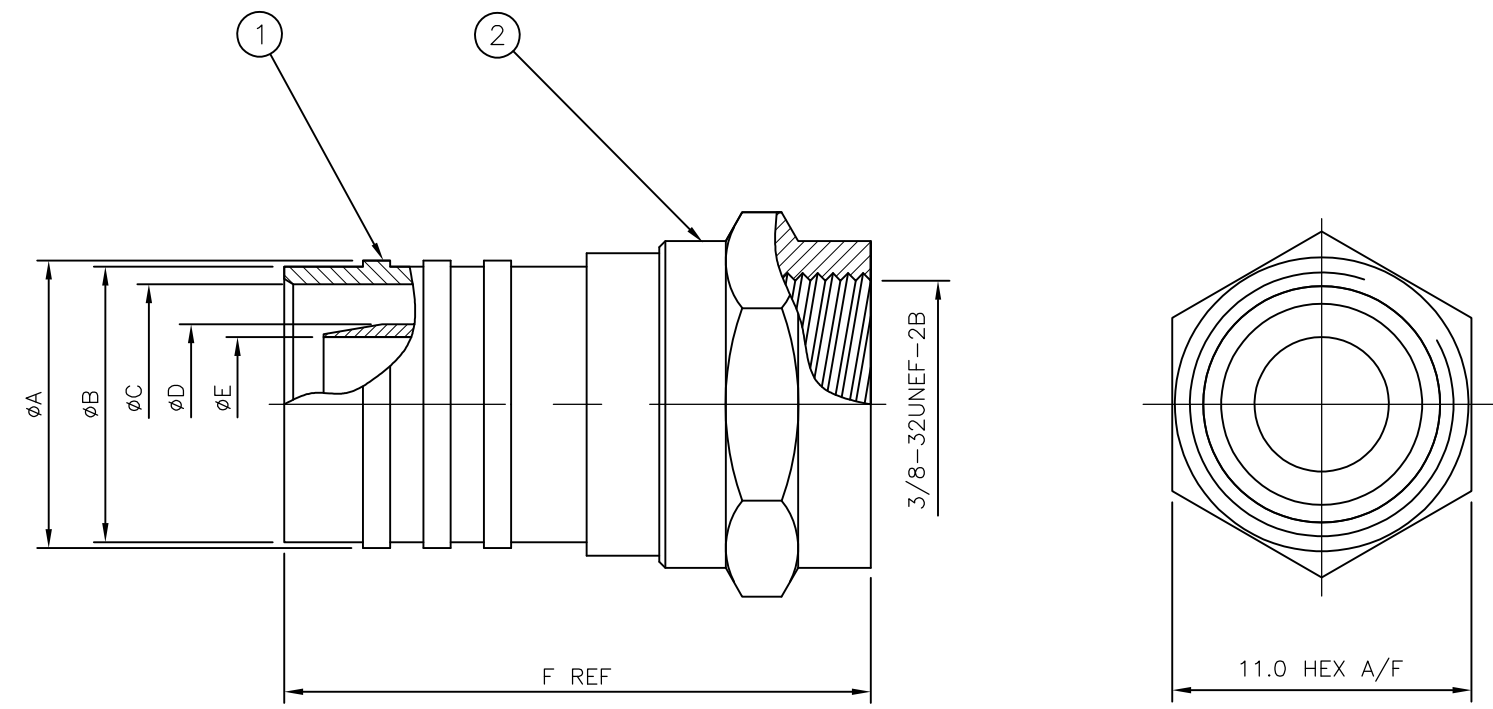


THIS DRAWING IS UNPUBLISHED. RELEASED FOR PUBLICATION NOV ,2006. ALL RIGHTS RESERVED.

LOC	DIST	REVISIONS					
E	B	P	LTR	DESCRIPTION	DATE	DWN	APVD
			C	REVISED PER ECR-12-013598	14JAN2013	GG	MY

		9.50	19.40	6.00	6.70	8.70	10.00	10.50	CT125		5-1814821-7
OBSOLETE		9.50	19.40	6.00	6.70	8.70	10.00	10.50	CT125		5-1814821-6
OBSOLETE	9-1478243-0	8.50	19.40	4.85	5.70	7.70	9.00	9.50	CT100		5-1814821-5
OBSOLETE	9-1478243-0	8.50	19.40	4.85	5.70	7.70	9.00	9.50	CT100		5-1814821-4
	1583581-1	10.20	19.40	4.85	5.50	9.50	10.80	11.20	RG6/U		5-1814821-3
OBSOLETE	1583581-1	10.20	19.40	4.85	5.50	9.50	10.80	11.20	RG6/U		5-1814821-2
	9-1478243-0	8.50	20.40	3.90	4.70	7.50	9.00	9.50	RG59B/U, 62A/U, 140/U, 210/U, URM90, Belden 9291, 9291, KX6A, KX25, KX52, KX53		5-1814821-1
OBSOLETE	9-1478243-0	8.50	20.40	3.90	4.70	7.50	9.00	9.50	RG59B/U, 62A/U, 140/U, 210/U, URM90, Belden 9291, 9291, KX6A, KX25, KX52, KX53		5-1814821-0
	DIE SET	G	F	E	D	C	B	A	CABLE GROUPS		PART NO.

- NOTES**
- 1 SINGLE PACK IN ACCORDANCE WITH AMP SPEC 107-3275
  - 2 100 TRAY PACK IN ACCORDANCE WITH AMP SPEC 107-3275
  - 3 Ni PLATING
  4. HAND TOOL: 9-1478240-0
  5. FOR TECHNICAL DATA REFER TO YOUR LOCAL TE CONNECTIVITY SALES OFFICE
  6. ALL DIMENSIONS ARE NOMINAL FOR REFERENCE ONLY UNLESS OTHERWISE STATED



	OBSOLETE	OBSOLETE	OBSOLETE	OBSOLETE	OBSOLETE	OBSOLETE	OBSOLETE			
1	1	1	1	1	1	1	1	ZINC ALLOY	COUPLING NUT	2
1	1	1	1	1	1	1	1	BRASS	BODY	1
5	75	65	55	45	35	25	15	MATERIAL	DESCRIPTION	ITEM

QUANTITY PER ASSY PARTS LIST

THIS DRAWING IS A CONTROLLED DOCUMENT.

DIMENSIONS: mm	TOLERANCES UNLESS OTHERWISE SPECIFIED:	DWN ANSON MA 14FEB09	<b>STE</b> TE Connectivity		
	0 PLC ± 0.5 1 PLC ± 0.4 2 PLC ± 0.3 3 PLC ± - 4 PLC ± - ANGLES ± -	CHK RITA ZUO 14FEB09	NAME		
MATERIAL SEE TABLE	FINISH -	APVD BOB ZHAO 14FEB09	PRODUCT SPEC		
			108-112000		
			APPLICATION SPEC		
			SIZE	CAGE CODE	DRAWING NO
				A300779	C-1814821
			RESTRICTED TO		
			CUSTOMER DRAWING	SCALE NTS	SHEET 1 OF 1 REV C