



Chipsmall Limited consists of a professional team with an average of over 10 year of expertise in the distribution of electronic components. Based in Hongkong, we have already established firm and mutual-benefit business relationships with customers from,Europe,America and south Asia,supplying obsolete and hard-to-find components to meet their specific needs.

With the principle of “Quality Parts,Customers Priority,Honest Operation,and Considerate Service”,our business mainly focus on the distribution of electronic components. Line cards we deal with include Microchip,ALPS,ROHM,Xilinx,Pulse,ON,Everlight and Freescale. Main products comprise IC,Modules,Potentiometer,IC Socket,Relay,Connector.Our parts cover such applications as commercial,industrial, and automotives areas.

We are looking forward to setting up business relationship with you and hope to provide you with the best service and solution. Let us make a better world for our industry!



## Contact us

Tel: +86-755-8981 8866 Fax: +86-755-8427 6832

Email & Skype: info@chipsmall.com Web: www.chipsmall.com

Address: A1208, Overseas Decoration Building, #122 Zhenhua RD., Futian, Shenzhen, China



THIS DRAWING IS UNPUBLISHED.

RELEASED FOR PUBLICATION JAN , 2007.

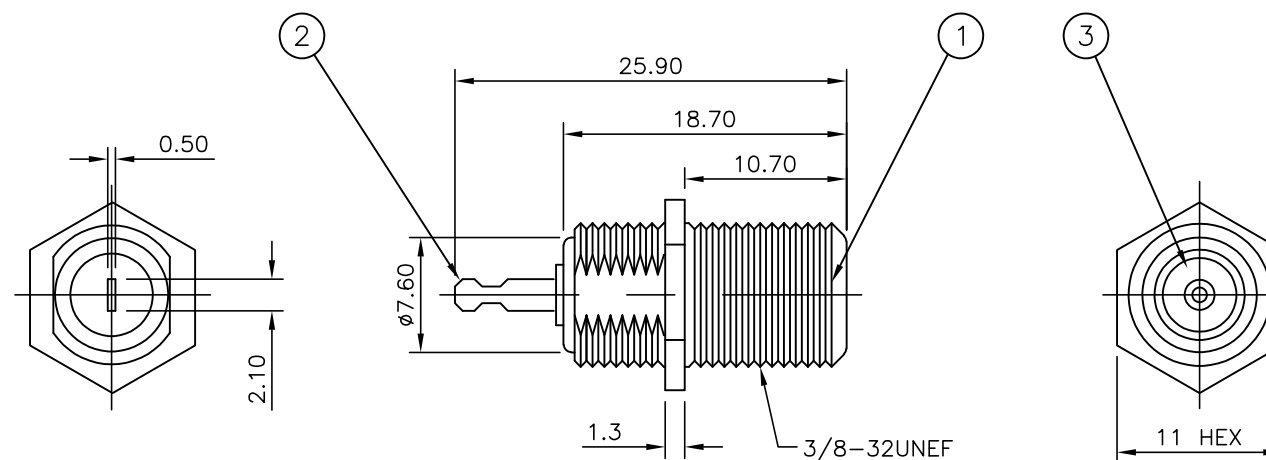
© COPYRIGHT 2007 By -

ALL RIGHTS RESERVED.

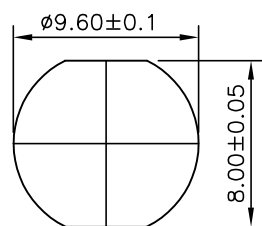
LOC	DIST	REVISIONS			
P	LTR	DESCRIPTION	DATE	DWN	APVD
E	B	C1	REVISED PER ECO-11-005033	01APR11	RK HMR
		D	REVISED PER ECO-11-021675	02NOV11	TITAN MARTIN

NOTES

- 1 SINGLE PACK IN ACCORDANCE WITH AMP SPEC 107-3275
- 2 50 TRAY PACK IN ACCORDANCE WITH AMP SPEC 107-3275
- 3 NICKEL PLATING
- 4 TIN PLATING
- 5 FOR TECHNICAL DATA REFER TO YOUR LOCAL TE CONNECTIVITY SALES OFFICE
- 6 ALL DIMENSIONS ARE NOMINAL FOR REFERENCE ONLY UNLESS OTHERWISE STATED



RECOMMENDED MOUNTING HOLE



QTY	QTY PER ASSY	PARTS LIST
1	1	POLYPROPYLENE INSULATOR 3
1	1	PHOSPHOS BRONZE CONTACT 2
1	1	ZINC ALLOY BODY 1
5	15	MATERIAL DESCRIPTION ITEM

THIS DRAWING IS A CONTROLLED DOCUMENT.		DWN ANSON MA 14FEB09	<b>STE</b> TE Connectivity	
DIMENSIONS: mm		CHK RITA ZUO 14FEB09		
TOLERANCES UNLESS OTHERWISE SPECIFIED:		APVD BOB ZHAO 14FEB09	NAME F TYPE BULKHEAD SOCKET 75 OHMS	
0 PLC ± -		PRODUCT SPEC 108-112000	SIZE CAGE CODE DRAWING NO RESTRICTED TO	
1 PLC ± -		APPLICATION SPEC	A3 00779 C-1814823	
2 PLC ± -		WEIGHT -	SCALE NTS SHEET 1 OF 1 REV D	
3 PLC ± -		MATERIAL -		
4 PLC ± -		FINISH -		
ANGLES ± -				
CUSTOMER DRAWING				