



Chipsmall Limited consists of a professional team with an average of over 10 year of expertise in the distribution of electronic components. Based in Hongkong, we have already established firm and mutual-benefit business relationships with customers from,Europe,America and south Asia,supplying obsolete and hard-to-find components to meet their specific needs.

With the principle of “Quality Parts,Customers Priority,Honest Operation,and Considerate Service”,our business mainly focus on the distribution of electronic components. Line cards we deal with include Microchip,ALPS,ROHM,Xilinx,Pulse,ON,Everlight and Freescale. Main products comprise IC,Modules,Potentiometer,IC Socket,Relay,Connector.Our parts cover such applications as commercial,industrial, and automotives areas.

We are looking forward to setting up business relationship with you and hope to provide you with the best service and solution. Let us make a better world for our industry!



Contact us

Tel: +86-755-8981 8866 Fax: +86-755-8427 6832

Email & Skype: info@chipsmall.com Web: www.chipsmall.com

Address: A1208, Overseas Decoration Building, #122 Zhenhua RD., Futian, Shenzhen, China



THIS DRAWING IS UNPUBLISHED.

RELEASED FOR PUBLICATION JULY, 2006.

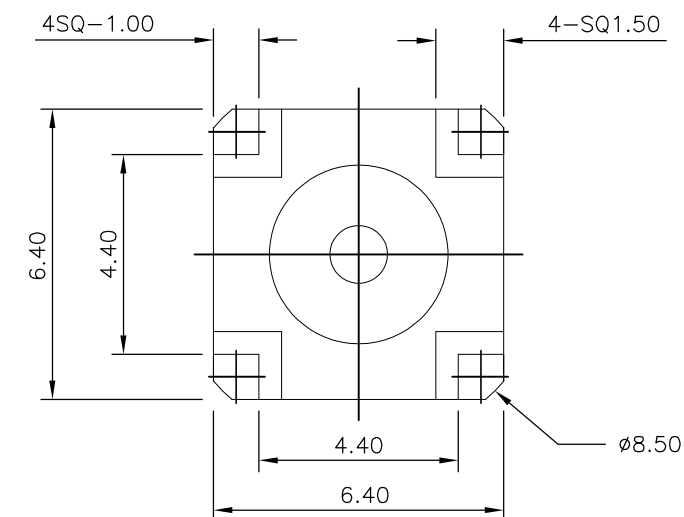
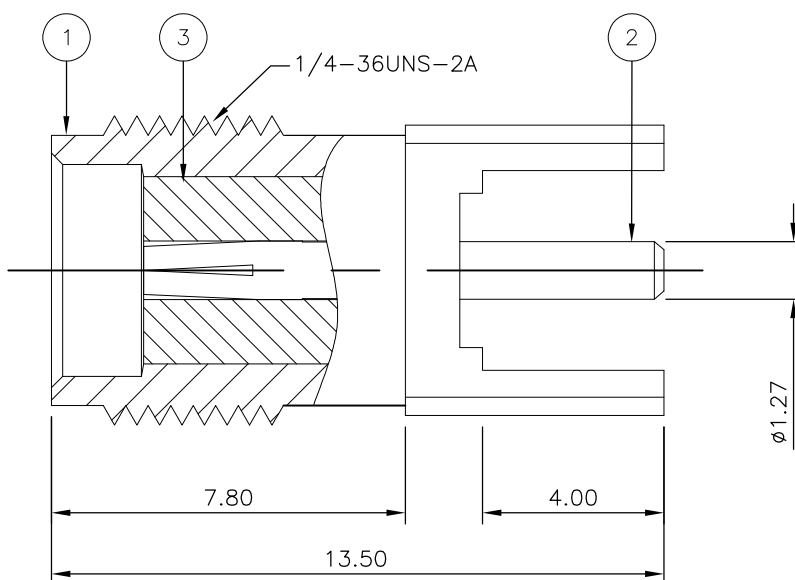
© COPYRIGHT 2006 By -

ALL RIGHTS RESERVED.

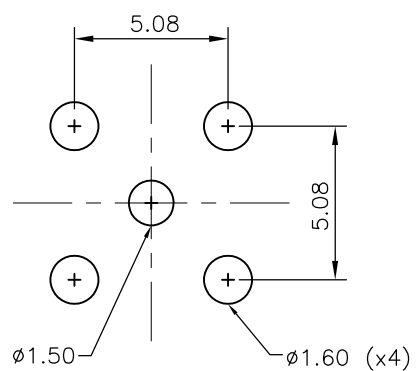
LOC	DIST	REVISIONS					
E	B	P	LTR	DESCRIPTION	DATE	DWN	APVD
			B1	REVISED PER ECO-11-005033	31MAR11	RK	HMR

NOTES

- 1 SINGLE PACK IN ACCORDANCE WITH AMP SPEC 107-3275
- 2 100 TRAY PACK IN ACCORDANCE WITH AMP SPEC 107-3275
- 3 Au PLATING



RECOMMENDED PCB LAYOUT WITH MOUNTING POSTS



						1	1	PTFE	INSULATOR	3
						1	1	PHOSPHER BRONZE	SOCKET	2
						1	1	ZINC ALLOY	BODY	1
						5	15		MATERIAL	DESCRIPTION
										ITEM

THIS DRAWING IS A CONTROLLED DOCUMENT.		DWN	ANSON MA	19FEB09	STE TE Connectivity	
DIMENSIONS: mm		CHK	RITA ZUO	19FEB09		
TOLERANCES UNLESS OTHERWISE SPECIFIED:		APVD	BOB ZHAO	19FEB09	NAME	
0 PLC ± -		PRODUCT SPEC		108-112000		
1 PLC ± -		APPLICATION SPEC		-		
2 PLC ± 0.2		SIZE	CAGE CODE	DRAWING NO	RESTRICTED TO	
3 PLC ± -		-		A300779	C-1814832	-
4 PLC ± -		WEIGHT		-		
ANGLES ± -		CUSTOMER DRAWING		SCALE	SHEET	REV
FINISH		SEE TABLE		NTS	1 OF 1	B1