



Chipsmall Limited consists of a professional team with an average of over 10 year of expertise in the distribution of electronic components. Based in Hongkong, we have already established firm and mutual-benefit business relationships with customers from,Europe,America and south Asia,supplying obsolete and hard-to-find components to meet their specific needs.

With the principle of “Quality Parts,Customers Priority,Honest Operation,and Considerate Service”,our business mainly focus on the distribution of electronic components. Line cards we deal with include Microchip,ALPS,ROHM,Xilinx,Pulse,ON,Everlight and Freescale. Main products comprise IC,Modules,Potentiometer,IC Socket,Relay,Connector.Our parts cover such applications as commercial,industrial, and automotives areas.

We are looking forward to setting up business relationship with you and hope to provide you with the best service and solution. Let us make a better world for our industry!



Contact us

Tel: +86-755-8981 8866 Fax: +86-755-8427 6832

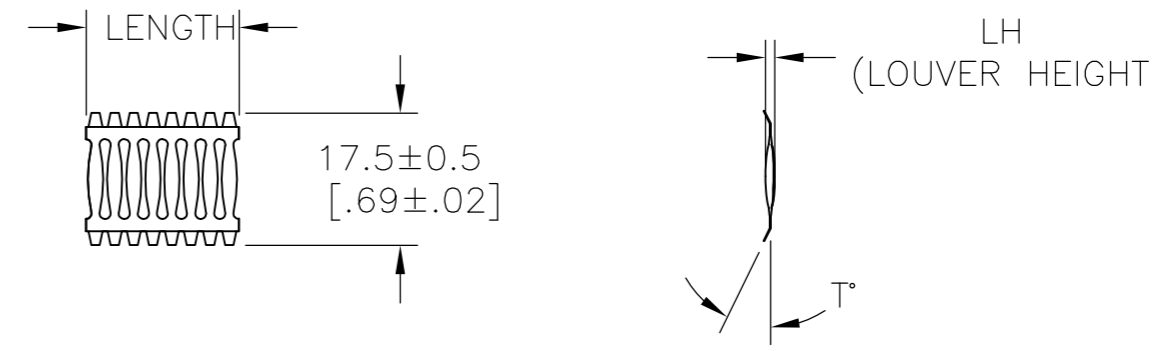
Email & Skype: info@chipsmall.com Web: www.chipsmall.com

Address: A1208, Overseas Decoration Building, #122 Zhenhua RD., Futian, Shenzhen, China

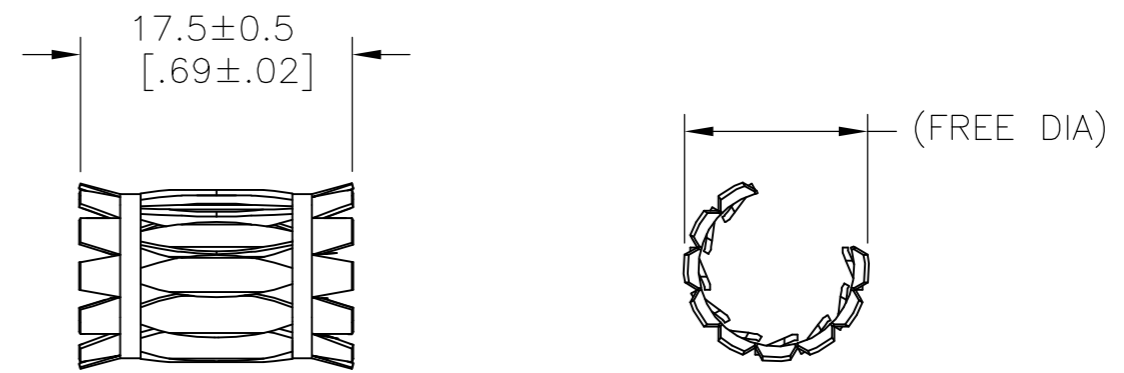


THIS DRAWING IS UNPUBLISHED. RELEASED FOR PUBLICATION
 © COPYRIGHT - By - ALL RIGHTS RESERVED.

REVISIONS				
P	LTR	DESCRIPTION	DATE	APVD
H		REVISED PER ECO-16-005106	28APR2016	NK MZ



STYLE C
(STRIP)



STYLE A
(FEMALE)

- 1 FINISH-GOLD PLATE 2.03-2.54µm [80-100µ"] THICK
- 2 FINISH-NICKEL PLATE 1.02-2.03µm [40-80µ"] THICK
- 3 FINISH-NICKEL PLATE 1.27-1.91µm [50-75µ"] THICK
- 4 FINISH-TIN PLATE 7.62-15.24µm [300-700µ"] THICK
- 5 FINISH-SILVER PLATE 18.78µm [700-1000µ"] THICK
- 6 FINISH-GOLD PLATE 0.25-0.51µm [10-20µ"] THICK
- 7 FINISH-SILVER PLATE 5.08-10.16µm [200-400µ"] THICK
- 8
- 9
- 10
- 11
- 12
- 13

PLATING NOTES ARE TO BE INTERPRETED AS FOLLOWS:
 5-7 AS 5 OVER 7.
 MATERIAL-CDA172 BeCu.
 MATERIAL-STAINLESS STEEL.
 OBSOLETE PARTS: OBSOLETE CIS STREAMLINING PER D.RENAUD/D.SINISI

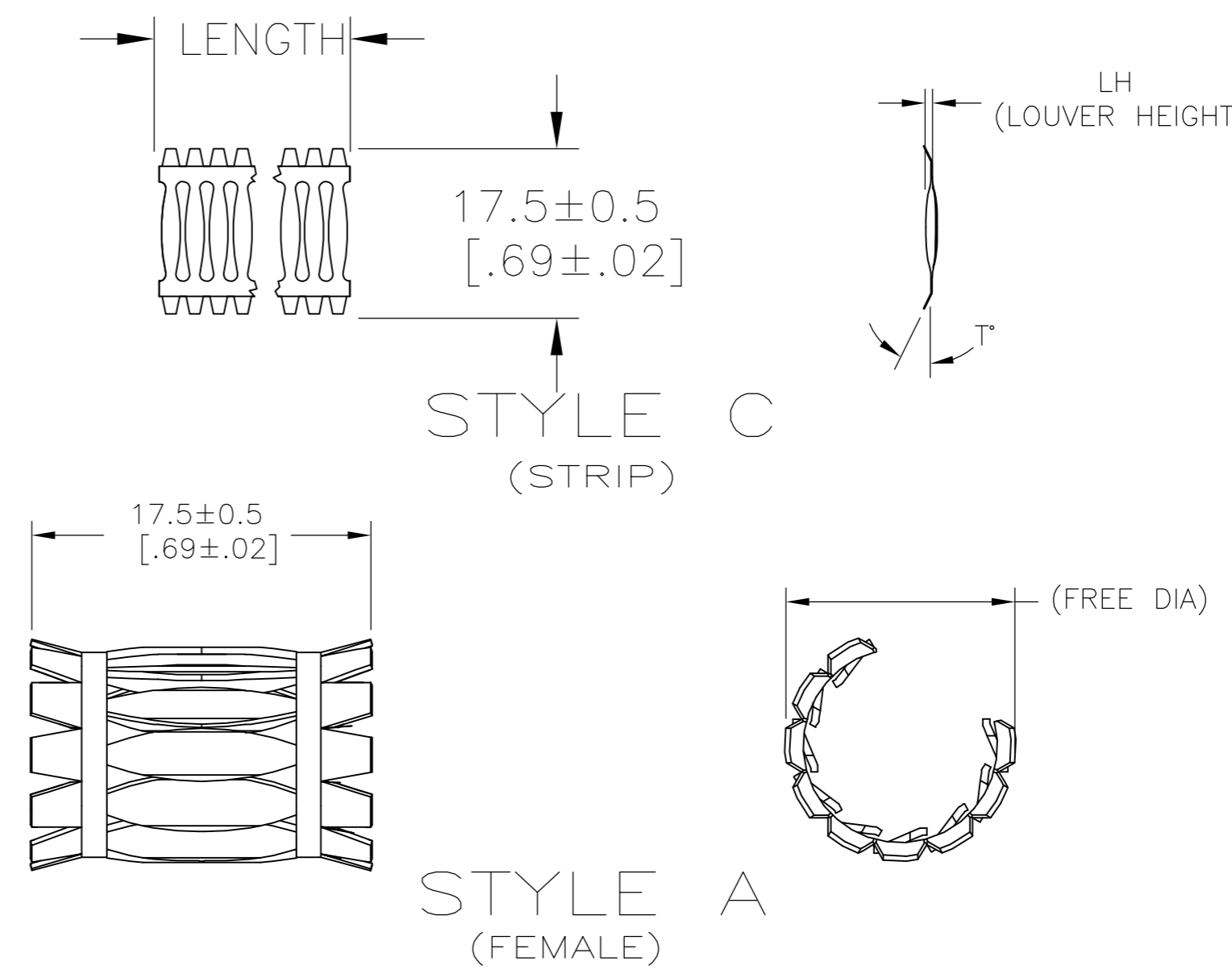
(FREE DIA)	LH	STYLE	T°	MATING PIN Ø REF	NUM LOUV	PLATING	MAT'L NOTE	MAT'L THK	REF	PART NUMBER		
[.45]	[.050]	A	15	9.01	[.355]	117-2	12	0.15	[.006]	01210	5-192013-0	OBSOLETE
[.52]	[.046]	A	15	8.97	[.353]	13UNPL	12	0.08	[.003]	01126	4-192013-9	△14
[.42]	[.050]	A	15	7.92	[.312]	10UNPL	13	0.15	[.006]	01116	4-192013-8	OBSOLETE
[.42]	[.052]	A	15	7.92	[.312]	107-2	12	0.20	[.008]	01118	4-192013-7	OBSOLETE
[.42]	[.050]	A	15	7.92	[.312]	106-2	12	0.15	[.006]	01217	4-192013-6	OBSOLETE
[.42]	[.050]	A	15	7.92	[.312]	107-2	12	0.15	[.006]	01117	4-192013-5	OBSOLETE
[.42]	[.050]	A	15	7.92	[.312]	10UNPL	12	0.15	[.006]	01266	4-192013-4	OBSOLETE
[.42]	[.050]	A	15	7.92	[.312]	107-2	12	0.10	[.004]	01281	4-192013-3	OBSOLETE
		C	15	--	--	877-2	12	0.15	[.006]	01030	4-192013-2	OBSOLETE
1.48	[.052]	A	45	31.8	[1.250]	397-2	12	0.20	[.008]	01219	4-192013-1	OBSOLETE
1.48	[.052]	A	45	31.8	[1.250]	39UNPL	12	0.20	[.008]	01218	4-192103-0	△14
1.48	[.050]	A	45	31.8	[1.250]	397-2	12	0.15	[.006]	01209	3-192013-9	OBSOLETE
1.45	[.050]	A	45	30.1	[1.187]	387-2	12	0.15	[.006]	01193	3-192013-8	OBSOLETE
1.21	[.050]	A	45	26.2	[1.032]	337-2	12	0.15	[.006]	01214	3-192013-7	OBSOLETE
1.15	[.050]	A	45	25.0	[.984]	317-2	12	0.15	[.006]	01319	3-192013-6	OBSOLETE
1.02	[.050]	A	45	21.6	[.850]	277-2	12	0.15	[.006]	01208	3-192013-5	OBSOLETE
1.05	[.050]	A	45	21.4	[.842]	287-2	12	0.15	[.006]	01165	3-192013-4	OBSOLETE
.92	[.052]	A	45	19.1	[.750]	247-2	12	0.20	[.008]	01300	3-192013-3	△14
--	[.050]	C	45			555-2	12	0.15	[.006]	01041	3-192013-2	△14
--	[.050]	C	45			55UNPL	12	0.15	[.006]	01044	3-192013-1	OBSOLETE
											3-192013-0	OBSOLETE
--	[.050]	C	15			487-2	12	0.15	[.006]	01043	2-192013-9	OBSOLETE
--	[.050]	C	15			417-2	12	0.15	[.006]	01027	2-192013-8	OBSOLETE
--	[.050]	C	15			417-2	12	0.10	[.004]	01028	2-192013-7	OBSOLETE
--	[.050]	C	15			407-2	12	0.15	[.006]	01243	2-192013-6	OBSOLETE
--	[.050]	C	15			407-2	12	0.10	[.004]	01047	2-192013-5	△14
--	[.050]	C	45			357-2	12	0.15	[.006]	01033	2-192013-4	OBSOLETE
--	[.050]	C	15			357-2	12	0.15	[.006]	01032	2-192013-3	OBSOLETE
--	[.050]	C	15			357-2	12	0.10	[.004]	01299	2-192013-2	OBSOLETE
											2-192013-1	OBSOLETE
											2-192013-0	OBSOLETE
--	[.050]	C	15			337-2	12	0.15	[.006]	01026	1-192013-9	OBSOLETE
--	[.050]	C	15			337-2	12	0.10	[.004]	01025	1-192013-8	△14
											1-192013-7	OBSOLETE
		C	15			207-2	12	0.15	[.006]	01035	1-192013-6	OBSOLETE
--	[.050]	C	15			194	12	0.15	[.006]	01051	1-192013-5	OBSOLETE
		C	15			197-2	12	0.15	[.006]	01031	1-192013-4	OBSOLETE
--	[.050]	C	15			177-2	12	0.15	[.006]	01059	1-192013-3	OBSOLETE
--	[.050]	C	15			147-2	12	0.15	[.006]	01053	1-192013-2	OBSOLETE
--	[.050]	C	15			134	12	0.15	[.006]	01065	1-192013-1	△14
--	[.050]	C	15			137-2	12	0.15	[.006]	01077	△14-1-192013-0	OBSOLETE
--	[.050]	C	15			127-2	12	0.15	[.006]	01055	△14-192013-9	OBSOLETE
											192013-8	OBSOLETE
--	[.050]	C	15			121-3	12	0.10	[.004]	01069	△14-192013-7	OBSOLETE
--	[.050]	C	15			117-2	12	0.15	[.006]	01057	△14-192013-6	OBSOLETE
--	[.050]	C	15			104	12	0.15	[.006]	01056	△14-192013-5	OBSOLETE
--	[.050]	C	15			107-2	12	0.15	[.006]		△14-192013-4	OBSOLETE
		C	15			101-2	12	0.10	[.004]	01046	△14-192013-3	OBSOLETE
--	[.050]	C	15			97-2	12	0.15	[.006]	01081	△14-192013-2	OBSOLETE
--	[.050]	C	15			57-2	12	0.15	[.006]	01045	△14-192013-1	OBSOLETE

THIS DRAWING IS A CONTROLLED DOCUMENT.		DWN RA JAYNE 07-01-91	TE Connectivity	
DIMENSIONS: mm [INCHES]		CHK G.STEINHAUER 07-01-91		
TOLERANCES UNLESS OTHERWISE SPECIFIED:		APVD G.STEINHAUER 07-01-91	NAME CONTACT BAND,FEMALE	
0 PLC ± -		PRODUCT SPEC	SIZE CAGE CODE DRAWING NO RESTRICTED TO	
1 PLC ± -		APPLICATION SPEC	A2 00779 C=192013	
2 PLC ± 0.5 [.02]		WEIGHT	SCALE NTS SHEET 1 OF 2 REV H	
3 PLC ± 0.25 [.010]		CUSTOMER DRAWING		
4 PLC ± -				
ANGLES ± -				
MATERIAL SEE TABLE		FINISH SEE TABLE		

THIS DRAWING IS UNPUBLISHED. RELEASED FOR PUBLICATION
 © COPYRIGHT - By - ALL RIGHTS RESERVED.

REVISIONS				
P	LTR	DESCRIPTION	DATE	APVD
-	-	SEE SHEET 1	-	-

(FREE DIA)	LH	STYLE	T \$	MATING PIN	t REF	NUM LOUV	PLATING	MAT'L NOTE	MAT'L THK	REF	PART NUMBER
[.89]	[.052]	A	15	19.1[.750]	23	UNPL	12	0.20[.008]	01248	9-192013-9	△14
[.92]	[.050]	A	15	19.1[.750]	24	UNPL	13	0.15[.006]	01203	9-192013-8	OBSOLETE
[.92]	[.050]	A	15	19.1[.750]	24	6-2	12	0.15[.006]	01234	9-192013-7	△14
[.92]	[.050]	A	15	19.1[.750]	24	7-2	12	0.15[.006]	01154	9-192013-6	OBSOLETE
[.92]	[.050]	A	15	19.1[.750]	24	UNPL	12	0.15[.006]	01152	9-192013-5	OBSOLETE
									--	9-192013-4	OBSOLETE
[.89]	[.050]	A	15	19.1[.750]	23	7-2	12	0.15[.006]	01255	9-192013-3	△14
[1.75]	[.050]	A	15	19.1[.750]	23	7-2	12	0.10[.004]	01279	9-192013-2	OBSOLETE
[.92]	[.046]	A	15	19.1[.750]	24	7-2	12	0.08[.003]	01151	9-192013-1	△14
[.92]	[.046]	A	15	19.1[.750]	24	UNPL	12	0.08[.003]	01297	9-192013-0	OBSOLETE
[.85]	[.050]	A	15	17.4[.685]	22	7-2	12	0.15[.006]	01223	8-192013-9	OBSOLETE
[.80]	[.052]	A	15	15.88[.625]	20	7-2	12	0.20[.008]	01245	8-192013-8	△14
[.80]	[.052]	A	15	15.88[.625]	20	UNPL	12	0.20[.008]	01289	8-192013-7	OBSOLETE
[.76]	[.052]	A	15	15.88[.625]	19	7-2	12	0.20[.008]	01259	8-192013-6	OBSOLETE
[.76]	[.052]	A	15	15.88[.625]	19	UNPL	12	0.20[.008]	01258	8-192013-5	△14
[.83]	[.050]	A	15	15.88[.625]	21	7-2	12	0.15[.006]	01207	8-192013-4	OBSOLETE
[.80]	[.050]	A	15	15.88[.625]	20	6-2	12	0.15[.006]	01317	8-192013-3	△14
[.80]	[.050]	A	15	15.88[.625]	20	7-2	12	0.15[.006]	01148	8-192013-2	OBSOLETE
[.76]	[.050]	A	15	15.88[.625]	19	7-2	12	0.15[.006]	01311	8-192013-1	△14
[1.50]	[.050]	A	15	15.88[.625]	20	7-2	12	0.10[.004]	01273	8-192013-0	OBSOLETE
[.80]	[.050]	A	15	15.57[.613]	20	7-2	12	0.15[.006]	01202	7-192013-9	△14
[.73]	[.052]	A	15	14.27[.562]	18	7-2	12	0.20[.008]	01143	7-192013-8	OBSOLETE
[.45]	[.050]	A	15	9.01[.355]	11	UNPL	12	0.15[.006]		7-192013-7	△14
[.73]	[.050]	A	15	14.0[.551]	18	7-2	12	0.15[.006]	01264	7-192013-6	OBSOLETE
[.70]	[.050]	A	15	14.0[.551]	17	7-2	12	0.15[.006]	01141	7-192013-5	△14
[.69]	[.052]	A	15	12.7[.500]	16	7-2	12	0.20[.008]	01137	7-192013-4	OBSOLETE
[.69]	[.052]	A	15	12.7[.500]	16	UNPL	12	0.20[.008]	01247	7-192013-3	△14
[.69]	[.050]	A	15	12.7[.500]	16	UNPL	13	0.15[.006]	01244	7-192013-2	OBSOLETE
[.69]	[.050]	A	15	12.7[.500]	16	7-2	12	0.15[.006]	01206	7-192013-1	△14
[.69]	[.046]	A	15	12.7[.500]	16	7-2	12	0.08[.003]	01275	7-192013-0	OBSOLETE
[.64]	[.052]	A	15	11.99[.472]	15	7-2	12	0.20[.008]	01304	6-192013-9	△14
[.55]	[.050]	A	15	11.99[.472]	14	UNPL	13	0.15[.006]	01073	6-192013-8	OBSOLETE
[.64]	[.050]	A	15	11.99[.472]	15	7-2	12	0.15[.006]	01135	6-192013-7	△14
[.64]	[.050]	A	15	11.99[.472]	15	UNPL	12	0.15[.006]	01134	6-192013-6	OBSOLETE
[1.25]	[.050]	A	15	11.99[.472]	15	7-2	12	0.10[.004]	01286	6-192013-5	△14
[.80]	[.050]	A	15	15.88[.625]	20	UNPL	--	0.15[.006]		6-192013-4	OBSOLETE
[.67]	[.046]	A	15	12.7[.500]	16	UNPL	--	0.08[.003]		6-192013-3	OBSOLETE
[.53]	[.050]	A	15	10.0[.394]	13	UNPL	--	0.15[.006]		6-192013-2	OBSOLETE
[.55]	[.052]	A	15	11.1[.437]	14	7-2	12	0.20[.008]	01131	6-192013-1	△14
[.55]	[.050]	A	15	11.1[.437]	14	UNPL	13	0.15[.006]	01246	6-192013-0	OBSOLETE
[.55]	[.050]	A	15	11.1[.437]	14	7-2	12	0.15[.006]	01211	5-192013-9	△14
[.55]	[.050]	A	15	11.02[.434]	14	6-2	12	0.15[.006]	01128	5-192013-8	OBSOLETE
[.55]	[.050]	A	15	11.02[.434]	14	UNPL	12	0.15[.006]	01216	5-192013-7	△14
[.52]	[.050]	A	15	10.0[.394]	13	6-2	12	0.15[.006]	01272	5-192013-6	OBSOLETE
[.52]	[.050]	A	15	10.0[.394]	13	7-2	12	0.15[.006]	01205	5-192013-5	△14
[.50]	[.050]	A	15	9.53[.375]	12	7-2	12	0.15[.006]	01124	5-192013-4	OBSOLETE
[.48]	[.050]	A		9.53[.375]	12	7-2	12	0.10[.004]	01268	5-192013-3	△14
[.48]	[.052]	A	15	9.07[.357]	12	7-2	12	0.20[.008]	01122	5-192013-2	OBSOLETE
[.45]	[.050]	A	15	9.01[.355]	11	6-2	12	0.15[.006]	01121	5-192013-1	△14



(FREE DIA)	LH	STYLE	T \$	MATING PIN	t REF	NUM LOUV	PLATING	MAT'L NOTE	MAT'L THK	REF	PART NUMBER
------------	----	-------	------	------------	-------	----------	---------	------------	-----------	-----	-------------

THIS DRAWING IS A CONTROLLED DOCUMENT.

DWN	RA JAYNE	07-01-91	 TE Connectivity
CHK	G.STEINHAUER	07-01-91	
APVD	G.STEINHAUER	07-01-91	
NAME	CONTACT BAND,FEMALE		
DIMENSIONS: mm [INCHES]			SIZE: A2 CAGE CODE: 00779 DRAWING NO: C=192013 RESTRICTED TO: -
TOLERANCES UNLESS OTHERWISE SPECIFIED:			
0 PLC ± - 1 PLC ± - 2 PLC ± 0.5 [.02] 3 PLC ± 0.25 [.010] 4 PLC ± - ANGLES ± -			
MATERIAL: SEE TABLE			
FINISH: SEE TABLE			WEIGHT: - SCALE: NTS SHEET: 2 OF 2 REV: H