



Chipsmall Limited consists of a professional team with an average of over 10 year of expertise in the distribution of electronic components. Based in Hongkong, we have already established firm and mutual-benefit business relationships with customers from,Europe,America and south Asia,supplying obsolete and hard-to-find components to meet their specific needs.

With the principle of “Quality Parts,Customers Priority,Honest Operation,and Considerate Service”,our business mainly focus on the distribution of electronic components. Line cards we deal with include Microchip,ALPS,ROHM,Xilinx,Pulse,ON,Everlight and Freescale. Main products comprise IC,Modules,Potentiometer,IC Socket,Relay,Connector.Our parts cover such applications as commercial,industrial, and automotives areas.

We are looking forward to setting up business relationship with you and hope to provide you with the best service and solution. Let us make a better world for our industry!



## Contact us

Tel: +86-755-8981 8866 Fax: +86-755-8427 6832

Email & Skype: info@chipsmall.com Web: www.chipsmall.com

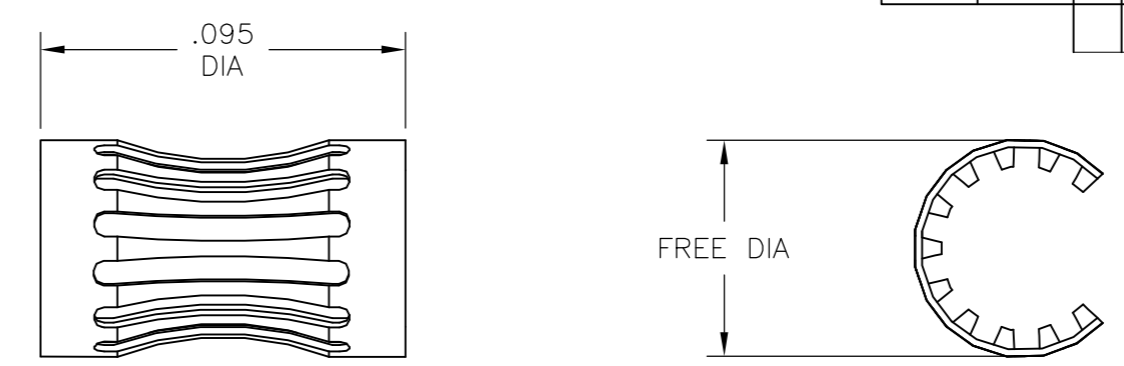
Address: A1208, Overseas Decoration Building, #122 Zhenhua RD., Futian, Shenzhen, China



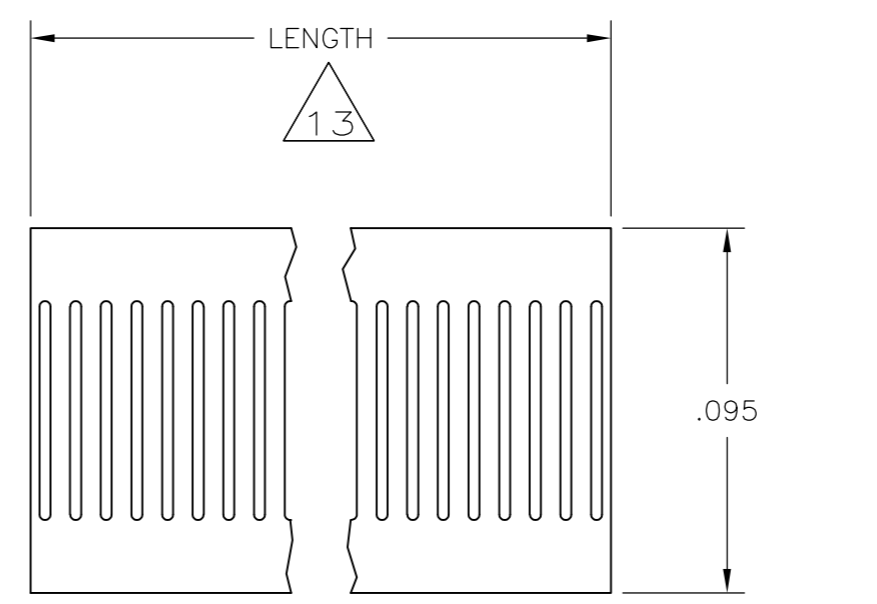
THIS DRAWING IS UNPUBLISHED. RELEASED FOR PUBLICATION  
 © COPYRIGHT - By - ALL RIGHTS RESERVED.

LOC		DIST		REVISIONS			
P	LTR	DESCRIPTION		DATE	DWN	APVD	
FT	0	L	REVISED PER ECO-15-011611	05NOV2015	NK	MZ	

LH	(FREE DIA)	STYLE	MAT'L (NOTE)	MATING PIN $\phi$ REF	PLATING (NOTE)	NUM LOUV	MAT'L THK	REF	PART NUMBER		
[.012]	[.28]	A	12	6.1[.241]	3-2	28	0.10[.004]	06045	5-192047-0	OBSOLETE $\triangle 18$	
[.012]	[.26]	A	12	5.7[.226]	3-2	26	0.10[.004]	06017	4-192047-9	OBSOLETE	
[.012]	[.25]	A	12	5.3[.210]	3-2	24	0.10[.004]	06044	4-192047-8	OBSOLETE $\triangle 18$	
[.012]	[.23]	A	12	4.8[.188]	3-2	22	0.10[.004]	06052	4-192047-7	OBSOLETE $\triangle 18$	
[.012]	[.22]	A	12	4.7[.187]	UNPL	21	0.10[.004]	06021	4-192047-6	OBSOLETE $\triangle 18$	
[.012]	[.22]	A	12	4.5[.179]	3-2	21	0.10[.004]	06043	4-192047-5	OBSOLETE $\triangle 18$	
[.012]	[.20]	A	12	4.3[.168]	3-2	19	0.10[.004]	06016	4-192047-4	OBSOLETE	
[.012]	[.19]	A	12	4.1[.160]	6-2	18	0.10[.004]	06065	4-192047-3	OBSOLETE $\triangle 18$	
[.012]	[.19]	A	12	4.1[.160]	UNPL	18	0.10[.004]	06066	4-192047-2	OBSOLETE $\triangle 18$	
[.012]	[.17]	A	12	3.7[.146]	UNPL	16	0.12[.005]	06011	4-192047-1	OBSOLETE $\triangle 18$	
[.012]	[.17]	A	12	3.7[.146]	4-2	16	0.10[.004]	06035	4-192047-0		
[.012]	[.17]	A	12	3.7[.146]	UNPL	16	0.10[.004]	06010	3-192047-9	OBSOLETE $\triangle 18$	
[.012]	[.17]	A	12	3.7[.146]	UNPL	16	0.08[.003]	06009	3-192047-8	OBSOLETE $\triangle 18$	
[.012]	[.15]	A	12	3.2[.125]	6-2	14	0.10[.004]	06064	3-192047-7		
[.012]	[.15]	A	12	3.2[.125]	5	14	0.10[.004]	06056	3-192047-6		
[.012]	[.15]	A	12	3.2[.125]	UNPL	14	0.10[.004]	06055	3-192047-5	OBSOLETE $\triangle 18$	
[.012]	[.15]	A	12	2.9[.113]	3-2	14	0.10[.004]	06042	3-192047-4	OBSOLETE $\triangle 18$	
SUPERSEDED BY 3-192047-5									06023	3-192047-3	SUPERSEDED
[.012]	[.15]	A	12	2.9[.113]	UNPL	14	0.08[.003]	06022	3-192047-2	OBSOLETE $\triangle 18$	
[.012]	[.11]	A	12	2.0[.080]	3-2	10	0.15[.006]	06076	3-192047-1	OBSOLETE	
[.012]	[.11]	A	12	2.0[.080]	UNPL	10	0.15[.006]	06075	3-192047-0	OBSOLETE	
[.012]	[.11]	A	12	2.0[.080]	4-2	10	0.12[.005]	06074	2-192047-9		
[.012]	[.11]	A	12	2.0[.080]	UNPL	10	0.12[.005]	06073	2-192047-8		
[.012]	[.11]	A	12	2.0[.080]	3-2	10	0.10[.004]	06070	2-192047-7		
[.012]	[.11]	A	12	2.0[.080]	UNPL	10	0.10[.004]	06041	2-192047-6	OBSOLETE	
[.012]	[.11]	A	12	2.0[.080]	C	9	0.10[.004]	06037	2-192047-5	$\triangle 18$	
[.012]	[.11]	A	12	2.0[.080]	UNPL	9	0.10[.004]	06047	2-192047-4		
[.012]	[.09]	A	12	1.6[.062]	3-2	8	0.10[.004]	06069	2-192047-3		
[.012]	[.09]	A	12	1.6[.062]	UNPL	8	0.10[.004]	06008	2-192047-2		
SUPERSEDED BY 193810-2									06079	2-192047-1	SUPERSEDED
SUPERSEDED BY 193810-1									06080	2-192047-0	SUPERSEDED
[.014]	[.09]	A	12	1.6[.062]	6-2	7	0.10[.004]	06063	1-192047-9		
[.014]	[.09]	A	12	1.6[.062]	3-2	7	0.10[.004]	06068	1-192047-8	OBSOLETE $\triangle 18$	
[.014]	[.09]	A	12	1.6[.062]	UNPL	7	0.10[.004]	06067	1-192047-7	OBSOLETE $\triangle 18$	
SUPERSEDED BY 1-192047-7									06062	1-192047-6	SUPERSEDED
[.012]	[.09]	A	12	1.6[.062]	UNPL	8	0.08[.003]	06007	1-192047-5	OBSOLETE $\triangle 18$	
[.012]	[.06]	A	12	1.0[.040]	3-2	6	0.10[.004]	06014	1-192047-4		
[.012]	[.06]	A	12	1.0[.040]	UNPL	6	0.10[.004]	06026	1-192047-3	OBSOLETE $\triangle 18$	
[.012]	[.06]	A	12	0.6[.025]	3-2	4	0.10[.004]	06013	1-192047-2	OBSOLETE	
[.012]	[.06]	A	12	0.6[.025]	UNPL	4	0.10[.004]	06025	1-192047-1	OBSOLETE	
[.013]	[.06]	A	12	0.6[.025]	3-2	4	0.08[.003]	06027	1-192047-0		
[.013]	[.06]	A	12	0.6[.025]	UNPL	4	0.08[.003]	06024	1-192047-9		
[.023]	--	C	12	--	1-2	73	0.10[.004]	06061	1-192047-8	OBSOLETE	
[.025]	--	C	12	--	1-2	23	0.10[.004]	06078	1-192047-7	$\triangle 18$	
[.014]	--	C	12	--	UNPL	$\triangle 13$	0.10[.004]	06048	1-192047-6	$\triangle 18$	
[.014]	--	C	12	--	UNPL	$\triangle 13$	0.10[.004]	06012	1-192047-5		
SUPERSEDED BY 193709-2									--	1-192047-4	OBSOLETE
SUPERSEDED BY 193709-2									--	1-192047-3	OBSOLETE
SUPERSEDED BY 193709-2									--	1-192047-2	SUPERSEDED
SUPERSEDED BY 193709-2									--	1-192047-1	OBSOLETE



STYLE A  
(FEMALE)



STYLE C  
(STRIP)



- FINISH-SILVER PLATE 200 $\mu$ IN THICK MIN.
- FINISH-NICKEL PLATE 40 $\mu$ IN THICK MIN.
- FINISH-GOLD PLATE 10 $\mu$ IN THICK MIN.
- FINISH-GOLD PLATE 50 $\mu$ IN THICK MIN.
- FINISH-TIN PLATE 300 $\mu$ IN THICK MIN.
- FINISH-GOLD PLATE 20 $\mu$ IN THICK MIN.
- FINISH-NICKEL PLATE 50 $\mu$ IN THICK MIN.
- NOT USED.
- NOT USED.
- NOT USED.
- PLATING NOTES ARE TO BE INTERPRETED AS FOLLOWS FOLLOWS, 3-2 AS 3 OVER 2.
- MATERIAL-CDA172, BeCu.
- $\triangle 13$  PRODUCT IS SOLD BY THE FOOT.
- $\triangle 14$  PRELIMINARY PART NUMBER.

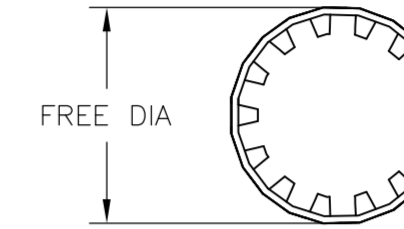
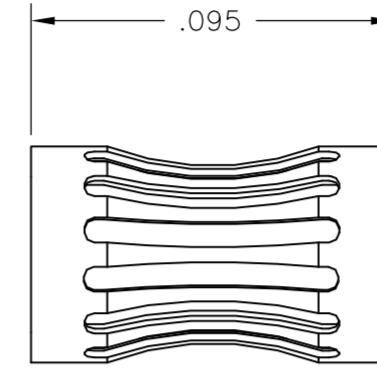
A

THIS DRAWING IS A CONTROLLED DOCUMENT.		DWN RA JAYNE 06-11-92	TE Connectivity	
DIMENSIONS: INCHES		CHK RA JAYNE 06-11-92		
TOLERANCES UNLESS OTHERWISE SPECIFIED:		APVD --	NAME	
0 PLC $\pm$ - 1 PLC $\pm$ - 2 PLC $\pm$ 0.5 3 PLC $\pm$ 0.25 4 PLC $\pm$ - ANGLES $\pm$ -		PRODUCT SPEC --	CONTACT BAND,FEMALE	
MATERIAL SEE TABLE		FINISH SEE TABLE	APPLIC. SPEC --	RESTRICTED TO --
SCALE 20:1		WEIGHT --	SIZE A2	CAGE CODE 00779
CUSTOMER DRAWING		DRAWING NO C=192047	SHEET 1 of 2	

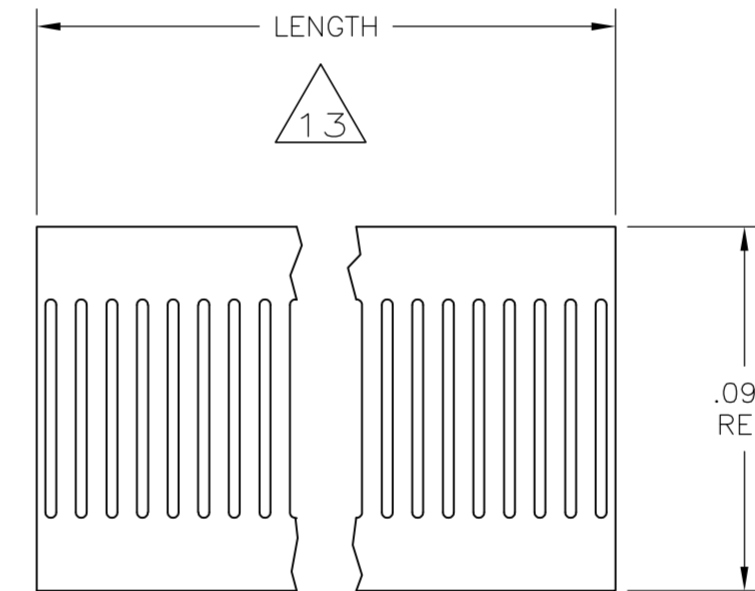
THIS DRAWING IS UNPUBLISHED. RELEASED FOR PUBLICATION  
 © COPYRIGHT - By - ALL RIGHTS RESERVED.

LOC	DIST	REVISIONS					
FT	0	P	LTR	DESCRIPTION	DATE	DWN	APVD
		-	-	SEE SHEET 1	-	-	-

LH	(FREE DIA)	STYLE	MAT'L (NOTE)	MATING PIN Ø REF	PLATING	NUM LOUV	MATL THK	REF	PART NUMBER
[.012]	[.33]	A	12	6.5[.256]	1-2	29	0.10[.004]	--	9-192047-0
[.012]	[.33]	A	12	6.5[.256]	3-2	29	0.10[.004]	--	8-192047-9
[.012]	[.13]	A	12	2.54[.100]	17-2	12	0.10[.004]	--	8-192047-8
[.014]	[.38]	A	12	7.9[.313]	3-2	35	0.10[.004]	--	8-192047-7
[.012]	[.06]	A	12	1.0[.040]	5-2	6	0.10[.004]	--	8-192047-6
[.023]	--	C	12	--	2	35	0.10[.004]	--	8-192047-5
[.023]	--	C	12	--	2	--	0.10[.004]	--	8-192047-4
[.012]	[.33]	A	12	6.5[.256]	6-2	29	0.10[.004]	--	8-192047-3
[.012]	[.57]	A	12	11.9[.471]	6-2	55	0.10[.004]	--	8-192047-2
[.014]	[.09]	A	12	1.57[.062]	UNPL	6	0.10[.004]	--	8-192047-1
[.014]	[.09]	A	12	1.57[.062]	3-2	6	0.10[.004]	--	8-192047-0
[.025]	--	C	12	--	UNPL	23	0.10[.004]	--	7-192047-9
[.012]	[.43]	A	12	10.1[.400]	UNPL	45	0.10[.004]	--	7-192047-8
[.012]	[.40]	A	12	8.7[.342]	UNPL	39	0.10[.004]	--	7-192047-7
[.012]	[.36]	A	12	7.2[.284]	UNPL	32	0.10[.004]	--	7-192047-6
[.012]	[.29]	A	12	6.5[.256]	UNPL	29	0.10[.004]	--	7-192047-5
[.012]	[.28]	A	12	6.1[.241]	UNPL	28	0.10[.004]	--	7-192047-4
[.012]	[.26]	A	12	5.7[.226]	UNPL	26	0.10[.004]	--	7-192047-3
[.012]	[.25]	A	12	5.3[.210]	UNPL	24	0.10[.004]	--	7-192047-2
[.012]	[.23]	A	12	4.8[.188]	UNPL	22	0.10[.004]	--	7-192047-1
[.012]	[.20]	A	12	4.3[.168]	UNPL	19	0.10[.004]	--	7-192047-0
[.023]	--	C	12	--	UNPL	--	0.10[.004]	--	6-192047-9
[.012]	[.06]	A	12	1.0[.040]	4-7	6	0.10[.004]	--	6-192047-8
NO DATA									6-192047-7
NO DATA									6-192047-6
NO DATA									6-192047-5
NO DATA									6-192047-4
[.012]	[.43]	A	12	1.0[.040]	4-2	45	0.10[.004]	06085	6-192047-3
								06800	6-192047-2
SUPERSEDED BY 193811-1								06801	6-192047-1
SUPERSEDED BY 192047-7								06078	6-192047-0
NO DATA								06054	5-192047-9
NO DATA								06053	5-192047-8
[.012]	[.52]	A	12	12.7[.500]	UNPL	55	0.10[.004]	06057	5-192047-7
[.012]	[.43]	A	12	10.1[.400]	3-2	45	0.10[.004]	06020	5-192047-6
[.012]	[.40]	A	12	8.7[.342]	3-2	39	0.10[.004]	06019	5-192047-5
[.012]	[.36]	A	12	7.2[.284]	3-2	32	0.10[.004]	06018	5-192047-4
[.012]	[.35]	A	12	6.9[.272]	6-2	31	0.10[.004]	06046	5-192047-3
[.012]	[.35]	A	12	6.9[.272]	UNPL	31	0.10[.004]	06077	5-192047-2
[.012]	[.33]	A	12	6.5[.256]	4-2	29	0.10[.004]	06040	5-192047-1



STYLE A  
(FEMALE)



STYLE C  
(STRIP)

- 15 CUT TO LENGTH OF 25mm.
- 16 OBSOLETE PART NUMBER.
- 17 FINISH: GOLD PLATE 30 MIN THICK MIN.
- 18 OBSOLETE PARTS: OBSOLETE CIS STREAMLINING PER D.RENAUD/D.SINISI

THIS DRAWING IS A CONTROLLED DOCUMENT.		DWN RA JAYNE 06-11-92	TE Connectivity	
DIMENSIONS: INCHES		CHK RA JAYNE 06-11-92		
TOLERANCES UNLESS OTHERWISE SPECIFIED:		APVD --	NAME CONTACT BAND,FEMALE	
0 PLC ± -		PRODUCT SPEC --	SIZE	
1 PLC ± -		APPLICATION SPEC --	CAGE CODE	
2 PLC ± .02		WEIGHT --	DRAWING NO	
3 PLC ± .010		A2 00779		
4 PLC ± -		C=192047		
ANGLES ± -		RESTRICTED TO		
FINISH		SCALE 20:1 SHEET 2 of 2 REV L		
SEE TABLE		CUSTOMER DRAWING		