



Chipsmall Limited consists of a professional team with an average of over 10 year of expertise in the distribution of electronic components. Based in Hongkong, we have already established firm and mutual-benefit business relationships with customers from,Europe,America and south Asia,supplying obsolete and hard-to-find components to meet their specific needs.

With the principle of “Quality Parts,Customers Priority,Honest Operation,and Considerate Service”,our business mainly focus on the distribution of electronic components. Line cards we deal with include Microchip,ALPS,ROHM,Xilinx,Pulse,ON,Everlight and Freescale. Main products comprise IC,Modules,Potentiometer,IC Socket,Relay,Connector.Our parts cover such applications as commercial,industrial, and automotives areas.

We are looking forward to setting up business relationship with you and hope to provide you with the best service and solution. Let us make a better world for our industry!



Contact us

Tel: +86-755-8981 8866 Fax: +86-755-8427 6832

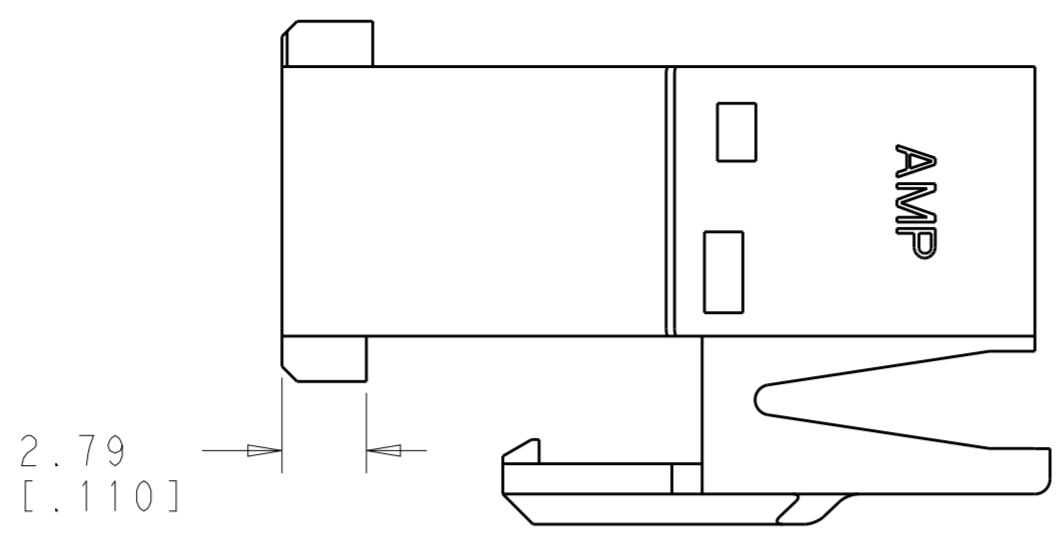
Email & Skype: info@chipsmall.com Web: www.chipsmall.com

Address: A1208, Overseas Decoration Building, #122 Zhenhua RD., Futian, Shenzhen, China

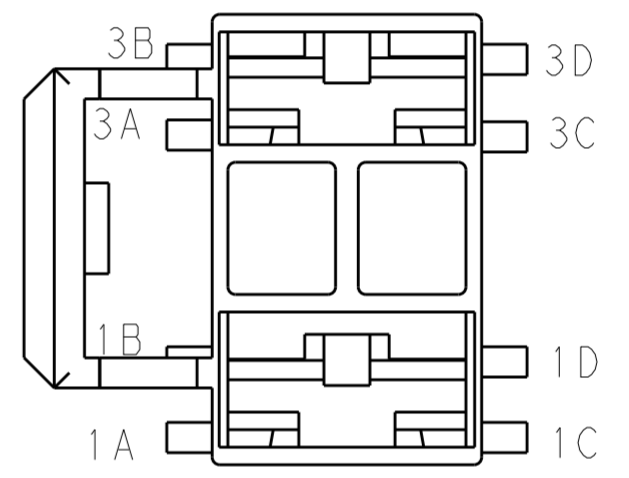
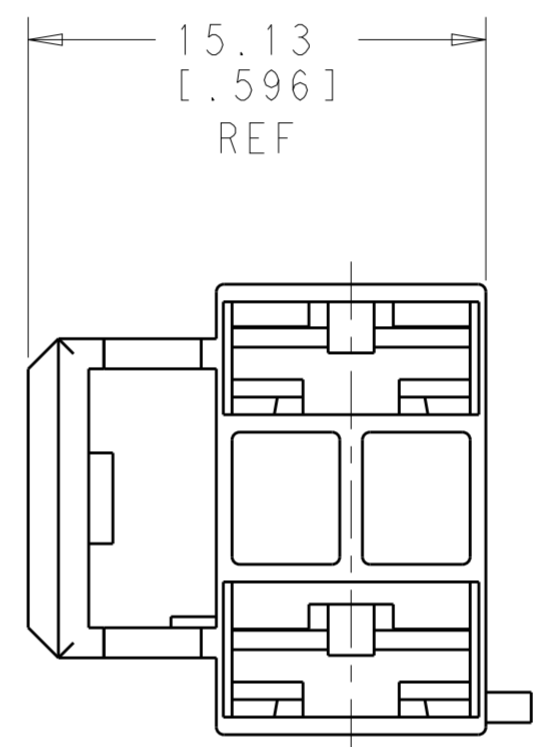
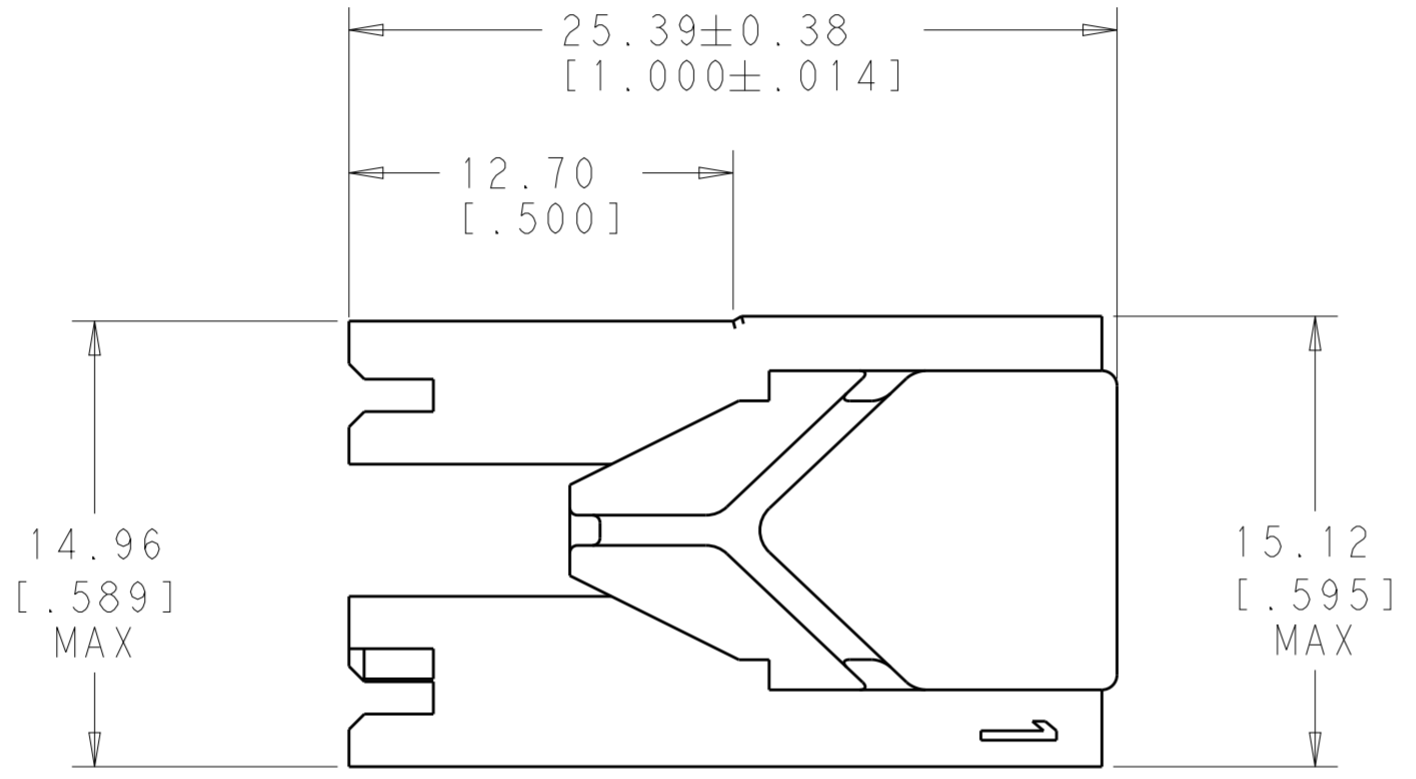
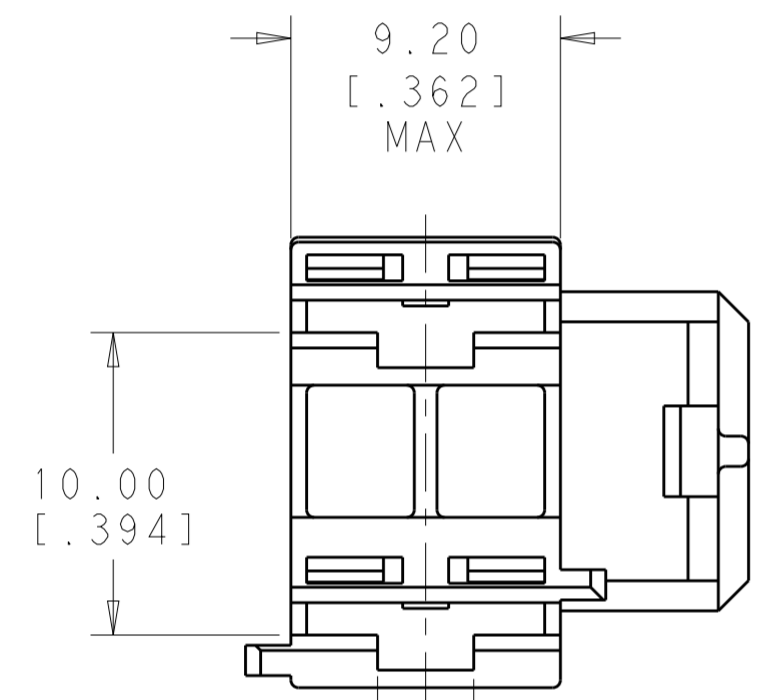


THIS DRAWING IS UNPUBLISHED. RELEASED FOR PUBLICATION 2012
 © COPYRIGHT 2012 BY TE CONNECTIVITY ALL RIGHTS RESERVED.

LOC		DIST		REVISIONS			
P	LTR	DESCRIPTION	DATE	DWN	APVD		
	C	REVISED PER ECR-17-002628	14MAR2017	NK	JP		



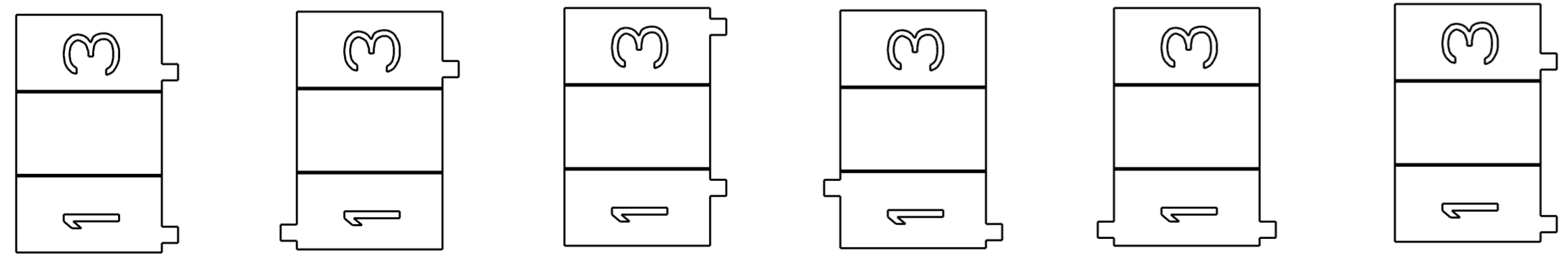
- 1 ACCORDING TO IEC 60335-1, GWPEPT 750°C WITHOUT FLAME
- 2 PRELIMINARY - NOT FOR PRODUCTION
- 3 PREPRODUCTION - FASR REQUIRED



SPECIAL REAR VIEW THAT MATES WITH THE HEADER VIEWS BELOW SHOWING THE KEYING & POLARIZATION



1	1C	1A	BLUE	3	5-1969536-5
1	3C	1A	YELLOW	3	5-1969536-2
	1C, 3C	NONE	GRAY	3	1969536-6
	1C	1A	BLUE	3	1969536-5
	1C	1B	BLACK	3	1969536-4
	1D, 3D	NONE	NATURAL	3	1969536-3
	3C	1A	YELLOW	3	1969536-2
	1C, 3C	NONE	GREEN	3	1969536-1
	KEYING FEATURE	POLARIZATION FEATURE	COLOR		PART NUMBER



HEADER VIEWS

THIS DRAWING IS A CONTROLLED DOCUMENT. DWN JR RUTH 19JUN2012
 CHK F LUPO 15MAR2017
 APVD R ROBONE 15MAR2017

STE TE Connectivity

NAME HOUSING, RECEPT, POSI-LOCK MK III, 6.35 [.250] SERIES, 3 POSITION, 2 CIRCUIT

SIZE A2 CAGE CODE 00779 DRAWING NO C-1969536 RESTRICTED TO -

MATERIAL NYLON TOLERANCES UNLESS OTHERWISE SPECIFIED: 0 PLC ±, 1 PLC ±, 2 PLC ±0.25 [.010], 3 PLC ±, 4 PLC ±, ANGLES ±, FINISH ±. SEE TABLE

Customer Drawing WEIGHT - SCALE 4:1 SHEET 1 OF 1 REV C