



Chipsmall Limited consists of a professional team with an average of over 10 year of expertise in the distribution of electronic components. Based in Hongkong, we have already established firm and mutual-benefit business relationships with customers from,Europe,America and south Asia,supplying obsolete and hard-to-find components to meet their specific needs.

With the principle of “Quality Parts,Customers Priority,Honest Operation,and Considerate Service”,our business mainly focus on the distribution of electronic components. Line cards we deal with include Microchip,ALPS,ROHM,Xilinx,Pulse,ON,Everlight and Freescale. Main products comprise IC,Modules,Potentiometer,IC Socket,Relay,Connector.Our parts cover such applications as commercial,industrial, and automotives areas.

We are looking forward to setting up business relationship with you and hope to provide you with the best service and solution. Let us make a better world for our industry!



## Contact us

Tel: +86-755-8981 8866 Fax: +86-755-8427 6832

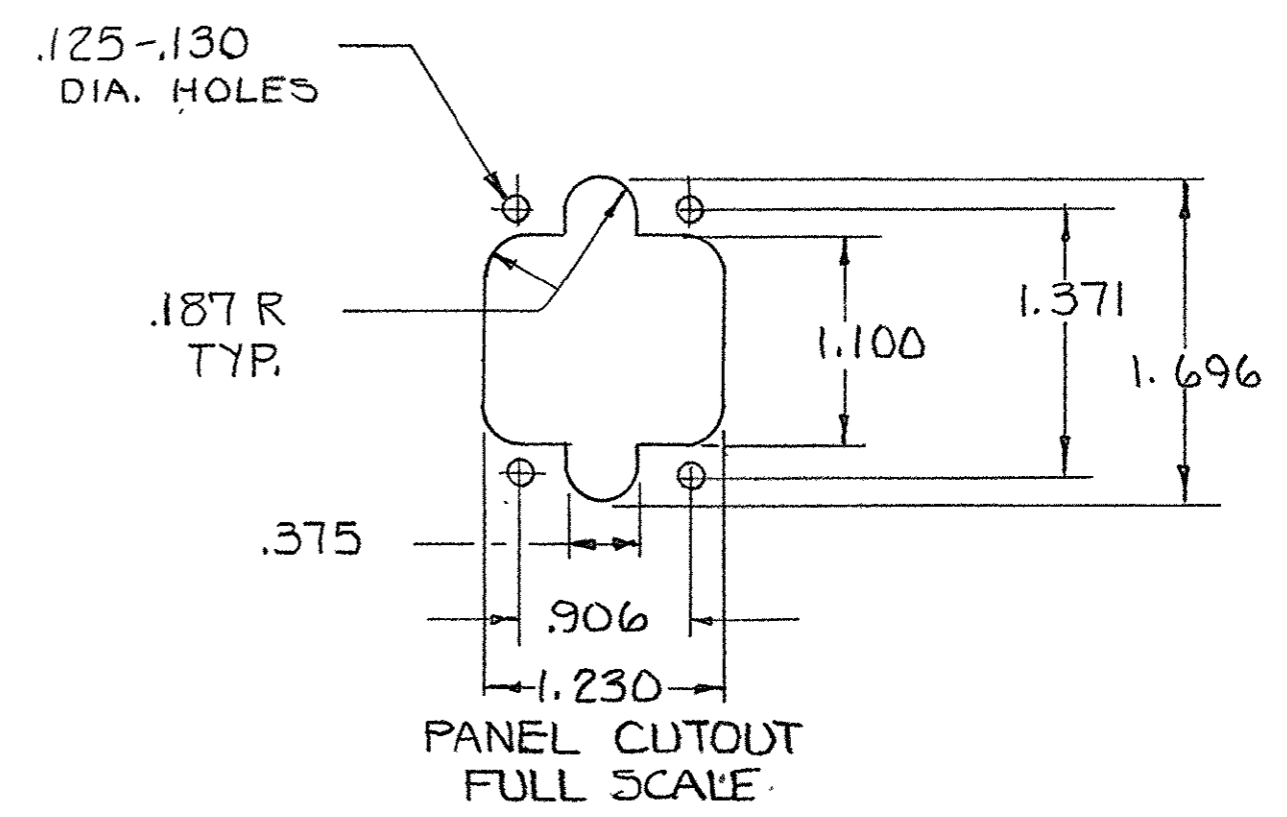
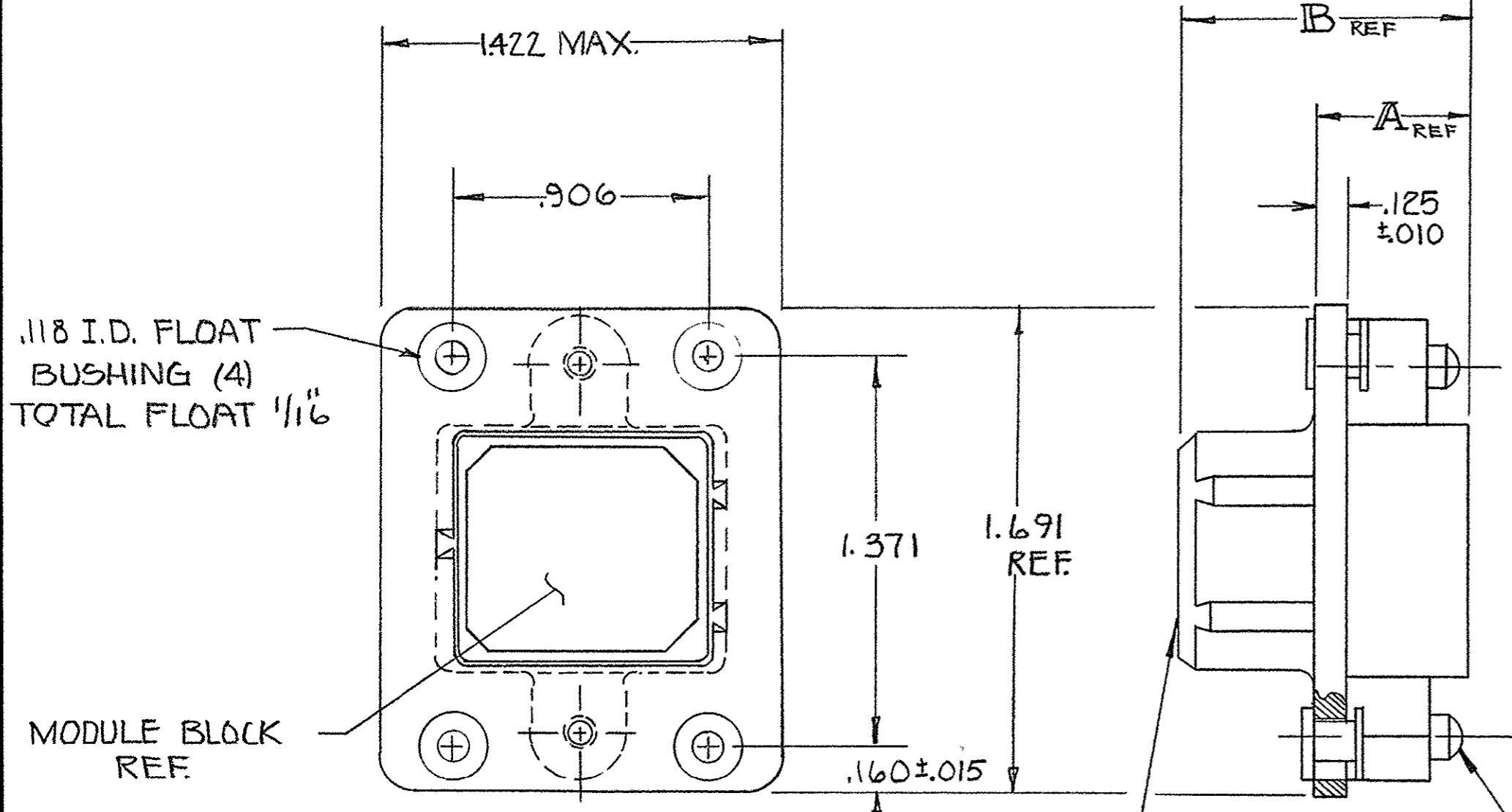
Email & Skype: info@chipsmall.com Web: www.chipsmall.com

Address: A1208, Overseas Decoration Building, #122 Zhenhua RD., Futian, Shenzhen, China



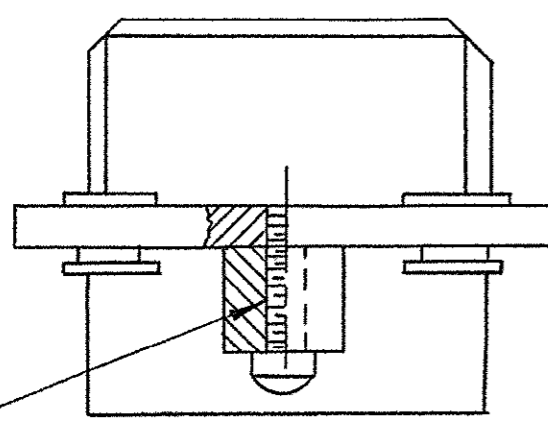
© 1963 BY AMP INCORPORATED. ALL RIGHTS RESERVED. AMP PRODUCTS COVERED BY PATENTS AND/OR PATENTS PENDING. APPROVED PER GOVT CONTRACT NO.

REVISIONS				
ZONE	LTR	DESCRIPTION	DATE	APPROVED
	G	REDRAWN WITHOUT CHANGE ECN Y12B	12-7-66	JH
	H	REVISE SHEET TOLERANCE PER ECN Z-632	7-15-68	WJ/PAW
	H1	REV. PER ECN D-644	9-17-75	JH
	J	REV. / ECN H-220	8-14-80	EF
	K	ADD -5 & REV. PER ECN R-1135	3-21-85	SDG
	L	OBSOLETE -1 PER ECN R-2604	2-19-87	SDG
	M	REV PER ECO-05-001412	05/05	AA/DE
	N	REV PER ECO-05-005359	11-14-05	PY/DE



SUPERSEDED BY 5-202275-3  
 SUPERSEDED BY 5-202275-4

ASS'Y NO.	FINISH	A	B
202275-1	<del>OBSOLETE</del> ZINC PLATE PER ASTM-B-633 TYPE II CLASS 3 COLORLESS SUPPLEMENTARY CHROMATE	.480	1.010
202275-2	OLIVE DRAB ZINC PLATE PER. ASTM-B-633 CLASS 3. TYPE II	.480	1.010
202275-3	PLATED ZINC PER ASTM-B-633 TYPE II CLASS 3 COLORLESS SUPPLEMENTARY CHROMATE	.480	1.010
202275-4	FINISH SAME AS -3	.886	1.416
202275-5	CADMIUM PLATE W/YELLOW CHROMATE CONVERSION PER QQ-P-416, TYPE III, CLASS 3	.480	1.010
5-202275-3	FINISH: PLATED ELECTROLESS NICKEL PER SAE-AMS-C-2607A .000400-.000800 THK (NO INTENTIONAL ADDITIONS OF LEAD OR CHROMIUM PER DFE STD 230-700)	.480	1.010
5-202275-4	FINISH: PLATED ELECTROLESS NICKEL PER SAE-AMS-C-2607A .000400-.000800 THK (NO INTENTIONAL ADDITIONS OF LEAD OR CHROMIUM PER DFE STD 230-700)	.886	1.416



ZINC PLATED STEEL SCREW (2) FOR -1 THRU -5  
 PASSIVATED STAINLESS STEEL SCREW (2) FOR 5-3 & 5-4

AMP INFO  
 LOC PRINT DIST  
 R 39 N 5058

UNLESS OTHERWISE SPECIFIED DIMENSIONS ARE IN INCHES TOLERANCES ON FRACTIONS DECIMALS ANGLES ± 1/64 ± .005 ± .1		CONTRACT NO		AMP INCORPORATED HARRISBURG, PENNSYLVANIA	
MATERIAL SHELL-DIE CAST ALUMINUM		DR R.O. Baker	DATE 1-27-66	SERIES "G" PLUG ASSEMBLY MODULE (ONE BLOCK) WITH FLOATING BUSHINGS	
HEAT TREAT H		CHK S.S. Hende	DATE 2/1/66	SIZE C	CODE IDENT NO 00779
FINISH SEE TABLE		DSGN ENGR J.W. Hillman	DATE 3-6-66	NUMBER	202275
		APPD W.B. Mullen	DATE 2-3-66	SCALE 2:1	WT CALC ACTUAL SHEET 1 OF 1