



Chipsmall Limited consists of a professional team with an average of over 10 year of expertise in the distribution of electronic components. Based in Hongkong, we have already established firm and mutual-benefit business relationships with customers from,Europe,America and south Asia,supplying obsolete and hard-to-find components to meet their specific needs.

With the principle of "Quality Parts,Customers Priority,Honest Operation,and Considerate Service",our business mainly focus on the distribution of electronic components. Line cards we deal with include Microchip,ALPS,ROHM,Xilinx,Pulse,ON,Everlight and Freescale. Main products comprise IC,Modules,Potentiometer,IC Socket,Relay,Connector.Our parts cover such applications as commercial,industrial, and automotives areas.

We are looking forward to setting up business relationship with you and hope to provide you with the best service and solution. Let us make a better world for our industry!



## Contact us

Tel: +86-755-8981 8866 Fax: +86-755-8427 6832

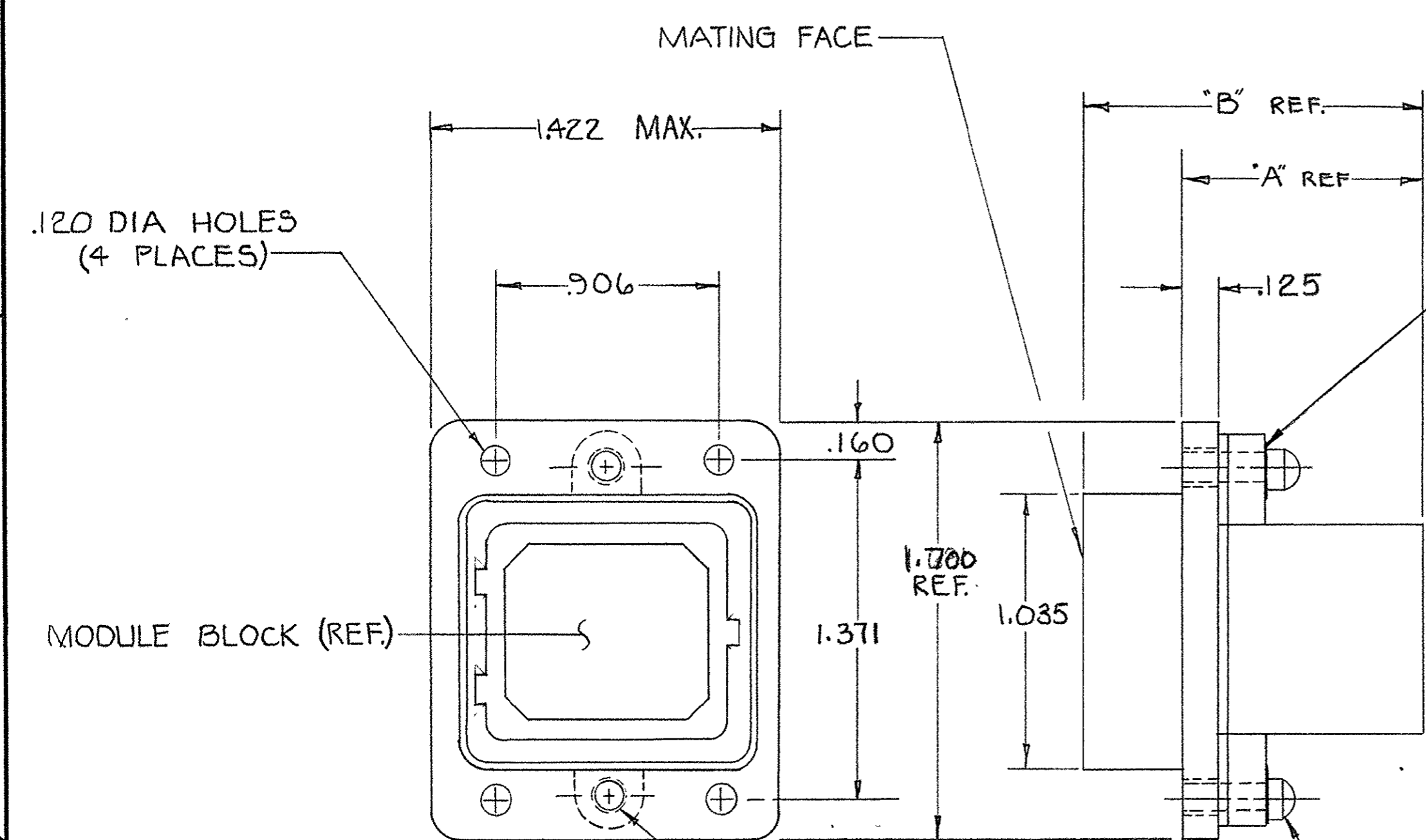
Email & Skype: info@chipsmall.com Web: www.chipsmall.com

Address: A1208, Overseas Decoration Building, #122 Zhenhua RD., Futian, Shenzhen, China

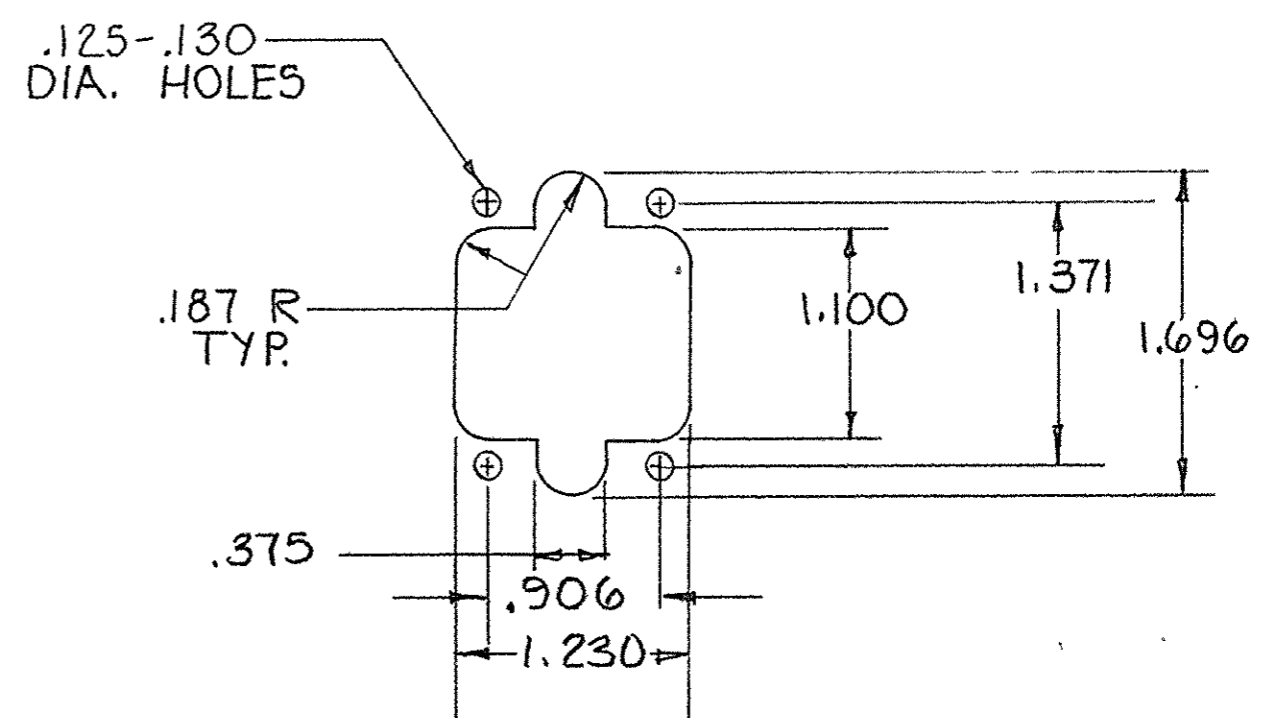


© 1963 BY AMP INCORPORATED. ALL RIGHTS RESERVED. AMP PRODUCTS COVERED BY PATENTS AND/OR PATENTS PENDING. APPROVED PER GOVT CONTRACT NO.

REVISIONS				
ZONE	LTR	DESCRIPTION	DATE	APPROVED
G		REDRAWN WITHOUT CHANGE ECN Y128	1-27-66	YH
H		REVISE SHEET TOLERANCE PER ECN Z-632	7-15-68	WJL/0800
J		ADDED -5 PER ECN A-491	4-9-70	BNY/SJS
J1		REV. PER ECN D-644	8-17-75	WJL
K		REV. / ECN H-220	8-14-80	EJE
L		OBSOLETE -2 & -5 PER ECN R-2604	2-23-87	SDG/DJB
M		REV PER DF-2235	T.W. 9-5-89	WJL
N		REV PER OH19-0706-04	CT 10-04	DE
P		REV PER ECP-05-001412	AA 05/05	R.E.
R		REV PER ECP-05-005359	11-05	PY/DE

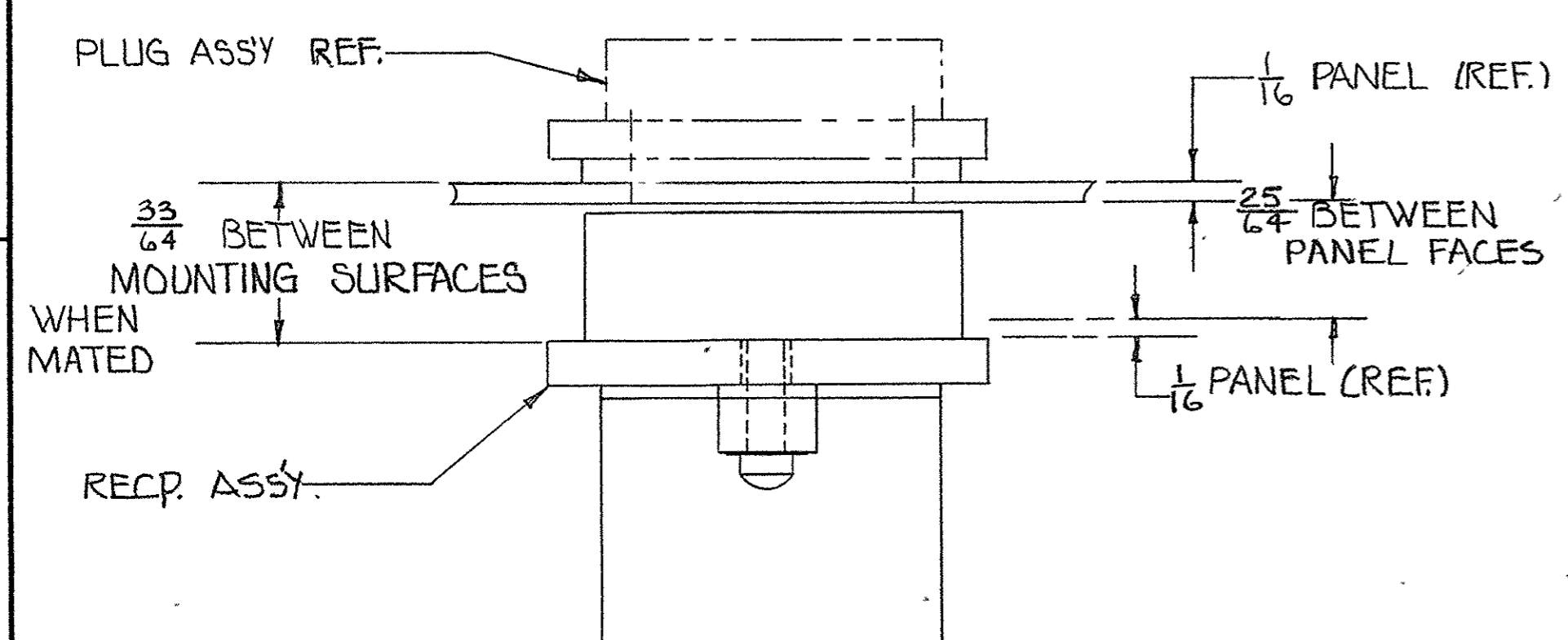


▲ FINISH: PLATED ELECTROLESS NICKEL PER SAE-AMS-C-26074 .000400-.000800 THK (NO INTENTIONAL ADDITIONS OF LEAD OR CADMIUM PER DFE STD 230-700).



PANEL CUTOUT FULL SCALE

ZINC PLATED STEEL SCREWS (2) FOR -1 THRU -4  
 PASSIVATED STAINLESS STEEL SCREWS (2) FOR 5-1, 5-3 & 5-4  
 PHILLIPS HEAD SCREWS FOR -1, -2 & 5-1 ONLY  
 FILLISTER HEAD SCREWS FOR -3, -4, 5-3 & 5-4



ASSY. NO.	A	FINISH	B
SUPERSEDED BY 5-202279-1	202279-1	1.001 ZINC PLATE PER ASTM-B-633 TYPE II CLASS 3 COLORLESS SUPPLEMENTARY CHROMATE	1.509
	202279-2	1.001 OLIVE DRAB ZINC PLATE PER ASTM-B-633 CLASS 3 TYPE II	1.509
SUPERSEDED BY 5-202279-3	202279-3	1.001 FINISH SAME AS -1	1.509
SUPERSEDED BY 5-202279-4	202279-4	.595 FINISH SAME AS -1	1.103
	202279-5	1.001 FINISH SAME AS -1	1.509
	5-202279-1	1.001 SEE NOTE ▲	1.509
	5-202279-3	1.001 SEE NOTE ▲	1.509
	5-202279-4	.595 SEE NOTE ▲	1.103

UNLESS OTHERWISE SPECIFIED DIMENSIONS ARE IN INCHES TOLERANCES ON FRACTIONS DECIMALS ANGLES ± 1/64 ± .005 ± #		CONTRACT NO.		AMP INCORPORATED HARRISBURG, PENNSYLVANIA	
MATERIAL SHELL-DIE CAST ALUMINUM		DR R. Q. Baker	DATE 1-27-66	NAME RECEPTACLE ASSEMBLY, MODULE (ONE BLOCK) SERIES "G"	
HEAT TREAT		CHK J. S. Weiste	DATE 3/1/66	SIZE C	
FINISH SEE TABLE		DSGN ENGR J. J. Kelly	DATE 2-3-66	CODE IDENT NO 00779	
		APP'D Z. S. McElroy	DATE 2-3-66	NUMBER 202279	
		DSGN APPD		SCALE 2:1	
		OTHER APPD		WT CALC ACTUAL SHEET 1 OF 1	

AMP INFO  
 LOC PRINTED  
 DF R 10