



Chipsmall Limited consists of a professional team with an average of over 10 year of expertise in the distribution of electronic components. Based in Hongkong, we have already established firm and mutual-benefit business relationships with customers from,Europe,America and south Asia,supplying obsolete and hard-to-find components to meet their specific needs.

With the principle of “Quality Parts,Customers Priority,Honest Operation,and Considerate Service”,our business mainly focus on the distribution of electronic components. Line cards we deal with include Microchip,ALPS,ROHM,Xilinx,Pulse,ON,Everlight and Freescale. Main products comprise IC,Modules,Potentiometer,IC Socket,Relay,Connector.Our parts cover such applications as commercial,industrial, and automotives areas.

We are looking forward to setting up business relationship with you and hope to provide you with the best service and solution. Let us make a better world for our industry!



Contact us

Tel: +86-755-8981 8866 Fax: +86-755-8427 6832

Email & Skype: info@chipsmall.com Web: www.chipsmall.com

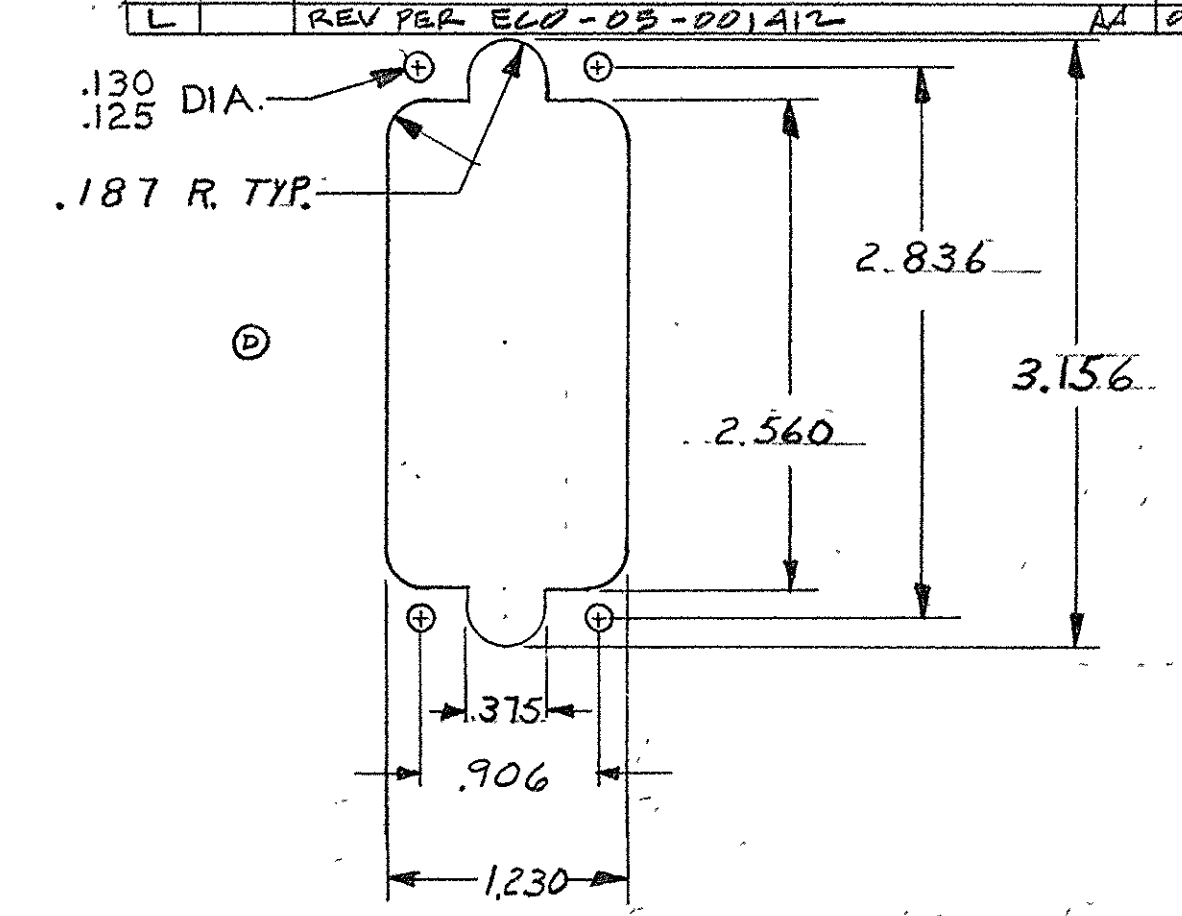
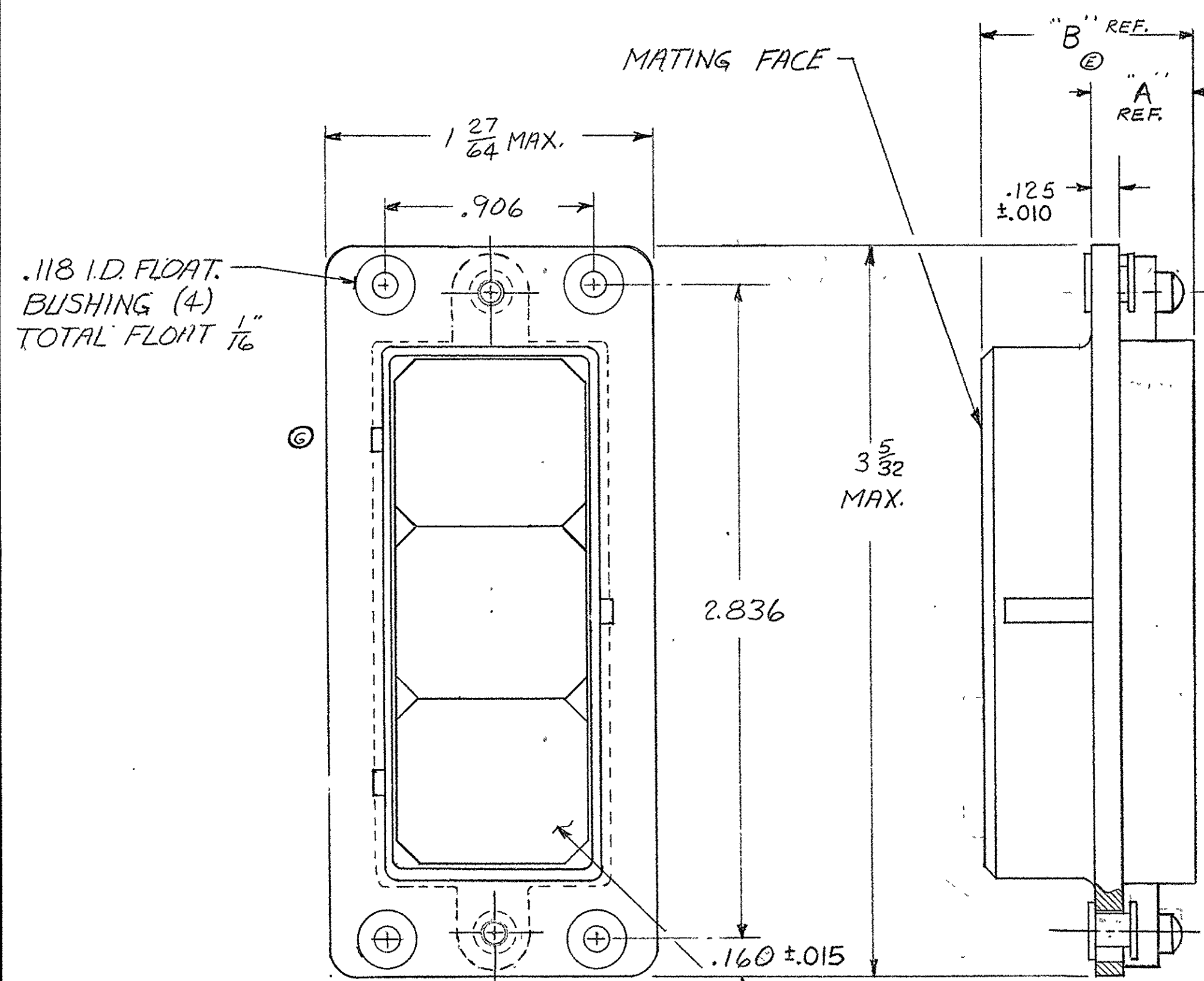
Address: A1208, Overseas Decoration Building, #122 Zhenhua RD., Futian, Shenzhen, China



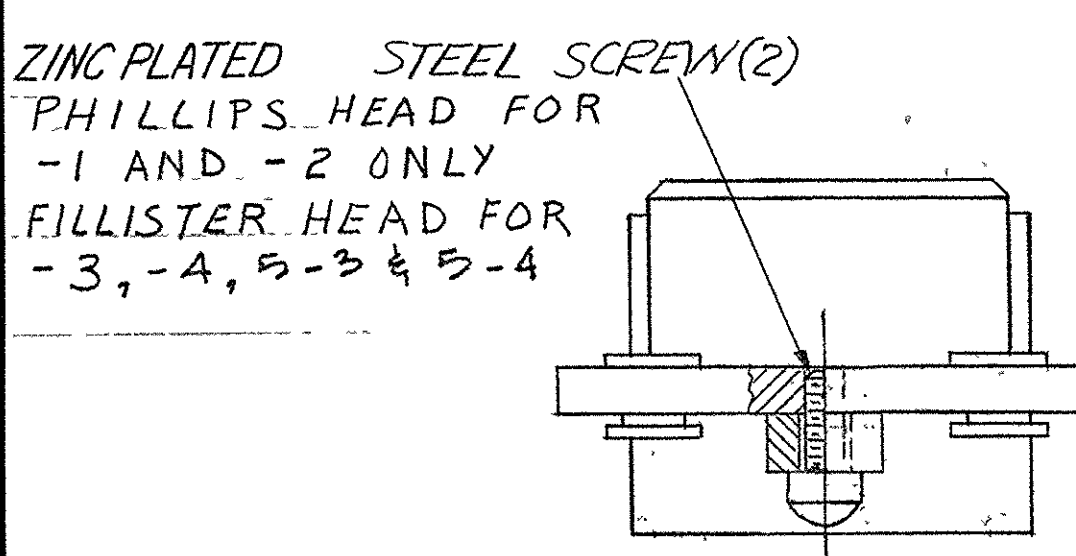
© 1963 BY AMP INCORPORATED. ALL RIGHTS RESERVED. AMP PRODUCTS COVERED BY PATENTS AND/OR PATENTS PENDING.

NUMBER 202283

REVISIONS				REVISIONS				
SYM	DESCRIPTION	DATE	APP	SYM	ZONE	DESCRIPTION	DATE	APPROVAL
M	REV PER ECO-05-005359	11-14-05	Py/DE	O		RELEASED	9-11-63	J.K.
				A		REVISED U-415	12-11-63	J.K.
				B		REVISED U-687	M.S.	2-26-64
				C		REVISED V-116	M.S.	6-30-64
				D		REVISED V-849	M.S.	1-27-65
				E		REVISED W-524 W-421	M.S.	8-2-65
				F		REVISED W-777	M.S.	10-14-65
				G		REVISED Y-296	M.S.	3-22-66
				G1		REV. PER ECN D-644	CG	9-17-75
				H		REV. / ECN H-220	J.P.S.	8-14-80
				J		OBSOLETE - 2 PER ECN H-916	J.P.S.	7-30-81
				K		ADD - 5 & REV. PER ECN R-1135	MM	3-21-85
				L		REV PER ECO-05-001412	AA	03/05



SYM	DESCRIPTION	QTY	FINISH	
5-202283-4	.886	1.416	FINISH: PLATED ELECTROLESS NICKEL PER SAE-AMS-C-26074 - .000400 - .000800 THK (NO INTENTIONAL ADDITIONS OF LEAD OR CADMIUM PER DFE STD 230-700)	
5-202283-3	.480	1.010	FINISH: PLATED ELECTROLESS NICKEL PER SAE-AMS-C-26074 - .000400 - .000800 THK (NO INTENTIONAL ADDITIONS OF LEAD OR CADMIUM PER DFE STD 230-700)	
ASSY. NO.	"A"	"B"	FINISH	
202283-1	.480	1.010	ZINC PLATE PER ASTM-B-689 TYPE II CLASS 3 COLORLESS SUPPLEMENTARY CHROMATE (D)	
OBSOLETE 2	.480	1.010	OLIVE DRAB ZINC PLATE PER ASTM-B-635 CLASS 3 TYPE II (E)	
SUPERSEDED BY 5-202283-3	202283-3	.480	1.010	FINISH SAME AS -1
SUPERSEDED BY 5-202283-4	202283-4	.886	1.416	FINISH SAME AS -1
202283-5	.480	1.010	CADMIUM PLATE W/YELLOW CHROMATE CONVERSION PER QQ-P-416 TYPE II, CLASS 3	



AMP INFO		QTY REQD	NOMENCLATURE OR DESCRIPTION	PART OR IDENTIFYING NO	LIST OF MATERIALS OR PARTS LIST	
LOC	PRINT DIST					
R	39	M				
UNLESS OTHERWISE SPECIFIED DIMENSIONS ARE IN INCHES TOLERANCES ON		SIGNATURE		DATE		AMP INCORPORATED HARRISBURG, PENNSYLVANIA
FRACTIONS $\pm \frac{1}{64}$	DECIMALS $\pm .005$	ANGLES $\pm \frac{1}{4}$	DR <i>D Miller</i>	2-26-63		
MATERIAL SHELL - DIE CAST ALLUMINUM		CHK <i>J Kaufman</i>		4-12-63		PLUG ASSEMBLY, MODULE "SERIES G"
HEAT TREAT		DSGN ENGR <i>JG McPherson</i>		3/1/63		
FINISH SEE TABLE		DSGN APPD		OTHER APPD		CODE IDENT NO 00779
						SIZE C
						NUMBER 202283
						SCALE 2-1
						WT CALC ACTUAL
						SHEET 1 OF 1

REF 5012-9 REV D