



Chipsmall Limited consists of a professional team with an average of over 10 year of expertise in the distribution of electronic components. Based in Hongkong, we have already established firm and mutual-benefit business relationships with customers from,Europe,America and south Asia,supplying obsolete and hard-to-find components to meet their specific needs.

With the principle of “Quality Parts,Customers Priority,Honest Operation,and Considerate Service”,our business mainly focus on the distribution of electronic components. Line cards we deal with include Microchip,ALPS,ROHM,Xilinx,Pulse,ON,Everlight and Freescale. Main products comprise IC,Modules,Potentiometer,IC Socket,Relay,Connector.Our parts cover such applications as commercial,industrial, and automotives areas.

We are looking forward to setting up business relationship with you and hope to provide you with the best service and solution. Let us make a better world for our industry!



Contact us

Tel: +86-755-8981 8866 Fax: +86-755-8427 6832

Email & Skype: info@chipsmall.com Web: www.chipsmall.com

Address: A1208, Overseas Decoration Building, #122 Zhenhua RD., Futian, Shenzhen, China

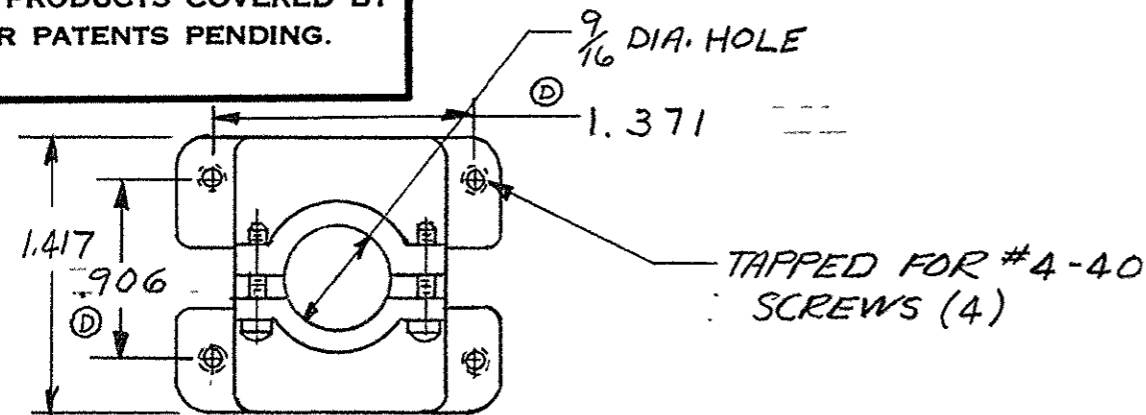


©1963 BY AMP INCORPORATED. ALL RIGHTS RESERVED. AMP PRODUCTS COVERED BY PATENTS AND/OR PATENTS PENDING.

REVISIONS

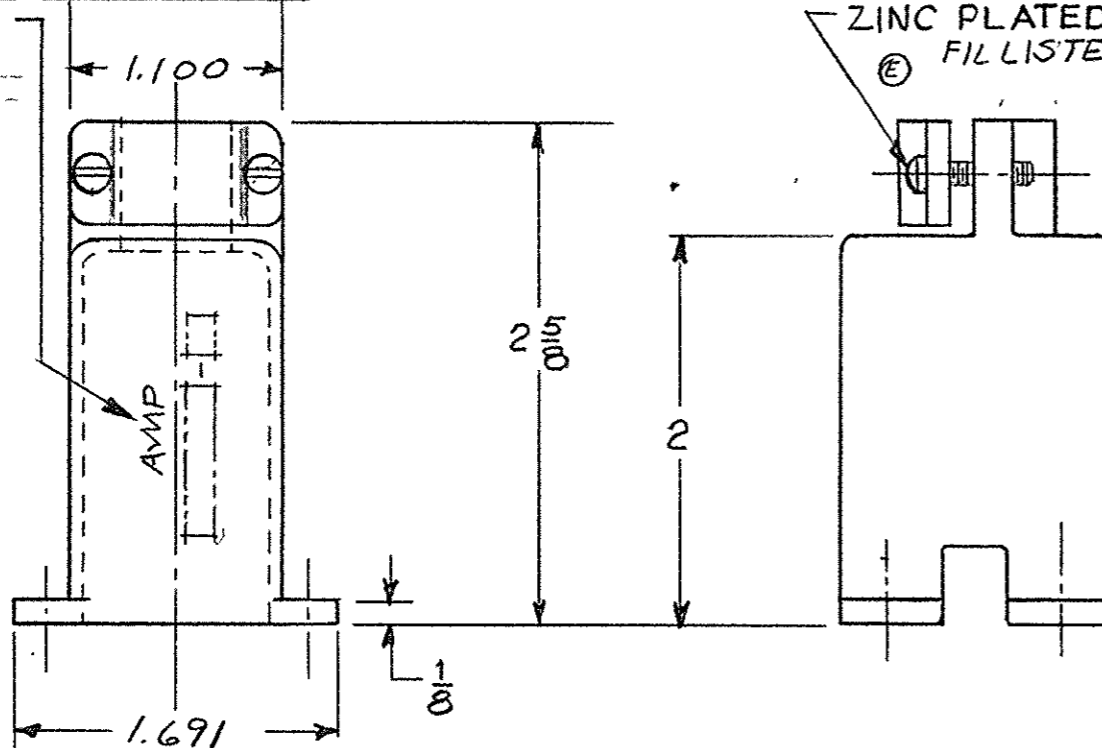
SYM	ZONE	DESCRIPTION	DATE	APPROVAL
G1		REV. PER ECN D-644	9-17-75	JW
H		OBSOLETED - 1 PER ECN E-876	2-17-77	JRS
J		REV. PER ECN E-928	4/14/77	AH
K		REV PER DF-3282	5/3/90	TW
L		REV PER ELD-05-001412	05/05	AA
M		REV PER ECO-05-005359	11-14-05	PY/DE

NUMBER 202305



AMP STAMP AND PART NO. LOCATED IN THIS AREA.

ZINC PLATED COLD ROLLED STL-SCREW (2)
 FILLISTER HEAD - 3 ONLY
 PASSIVATED STAINLESS STEEL SCREW (2)
 FILLISTER HEAD 5-3 ONLY



5-202305-3	FINISH: PLATED ELECTROLESS NICKEL PER SAE-AMS-L-26074 .000400-.000800 THK (NO INTENTIONAL ADDITIONS OF LEAD OR CADMIUM PER DFE STD 230-700)
ASSY NO.	FINISH
202305-1	ZINC PLATE PER QQ-Z-325 TYPE II CLASS 3 COLORLESS SUPPLEMENTARY CHROMATE (H)
202305-2	OLIVE DRAB CADMIUM PLATE PER QQ-P-416a CLASS 2 TYPE II (C)
202305-3	ZINC PLATE PER QQ-Z-325 TYPE 3 CLASS 3 COLORLESS SUPPLEMENTARY CHROMATE
202305-4	SAME AS -1 EXCEPT FILLISTER HEAD SCREWS

SUPERSEDED BY 5-202305-3

QTY REQD	PART OR IDENTIFYING NO.	NOMENCLATURE OR DESCRIPTION
LIST OF MATERIALS OR PARTS LIST		
UNLESS OTHERWISE SPECIFIED DIMENSIONS ARE IN INCHES TOLERANCES ON		
FRACTIONS ± 1/64	DECIMALS ± .015	ANGLES ± #
MATERIAL	SIGNATURE	DATE
CAST ALUMINUM	<i>R. Miller</i>	6-12-63
HEAT TREAT	<i>J. Kaufman</i>	6-13-63
FINISH	<i>J. D. Kelly</i>	6-14-63
SEE TABLE	<i>C. C. C.</i>	6/14/63
AMP INFO		AMP INCORPORATED HARRISBURG, PENNSYLVANIA
LOC DF	PRINT DIST B30	M
DGSN APPD		TRADEMARK
OTHER APPD		NAME
		SHIELD FOR ONE BLOCK MODULE ASSY. SERIES "G" ©
CODE IDENT NO	SIZE	NUMBER
00779	B	202305
SCALE 1-1	WT	CALC
	ACTUAL	SHEET 1 OF 1

NOTE:
 1. SHIELD TO ACCOMMODATE MODULE RECEPTACLE ASS'Y OR PLUG ASS'Y (1 BLOCK)

SP. M. 5001-41Z REV. 0