



Chipsmall Limited consists of a professional team with an average of over 10 year of expertise in the distribution of electronic components. Based in Hongkong, we have already established firm and mutual-benefit business relationships with customers from,Europe,America and south Asia,supplying obsolete and hard-to-find components to meet their specific needs.

With the principle of "Quality Parts,Customers Priority,Honest Operation,and Considerate Service",our business mainly focus on the distribution of electronic components. Line cards we deal with include Microchip,ALPS,ROHM,Xilinx,Pulse,ON,Everlight and Freescale. Main products comprise IC,Modules,Potentiometer,IC Socket,Relay,Connector.Our parts cover such applications as commercial,industrial, and automotives areas.

We are looking forward to setting up business relationship with you and hope to provide you with the best service and solution. Let us make a better world for our industry!



Contact us

Tel: +86-755-8981 8866 Fax: +86-755-8427 6832

Email & Skype: info@chipsmall.com Web: www.chipsmall.com

Address: A1208, Overseas Decoration Building, #122 Zhenhua RD., Futian, Shenzhen, China



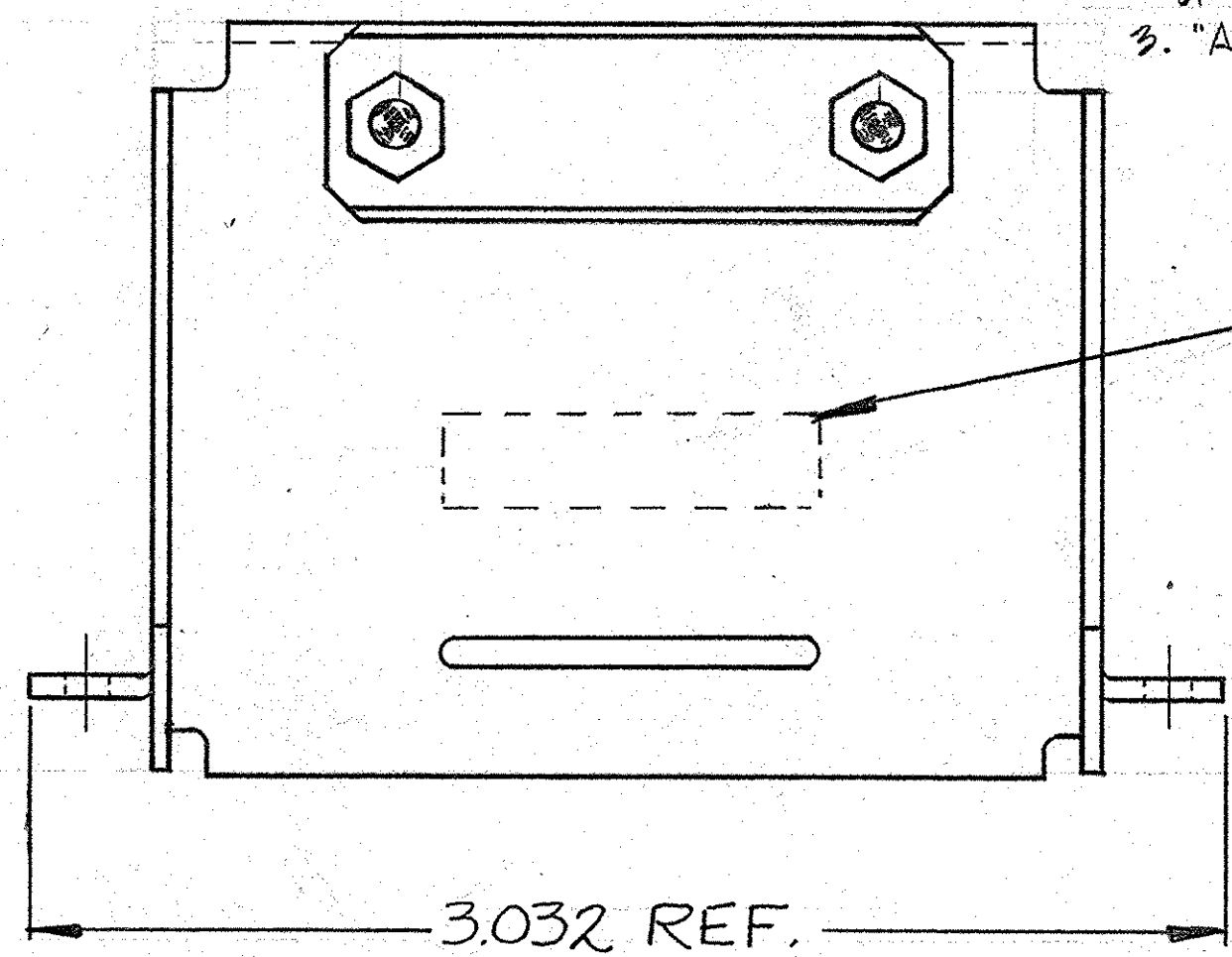
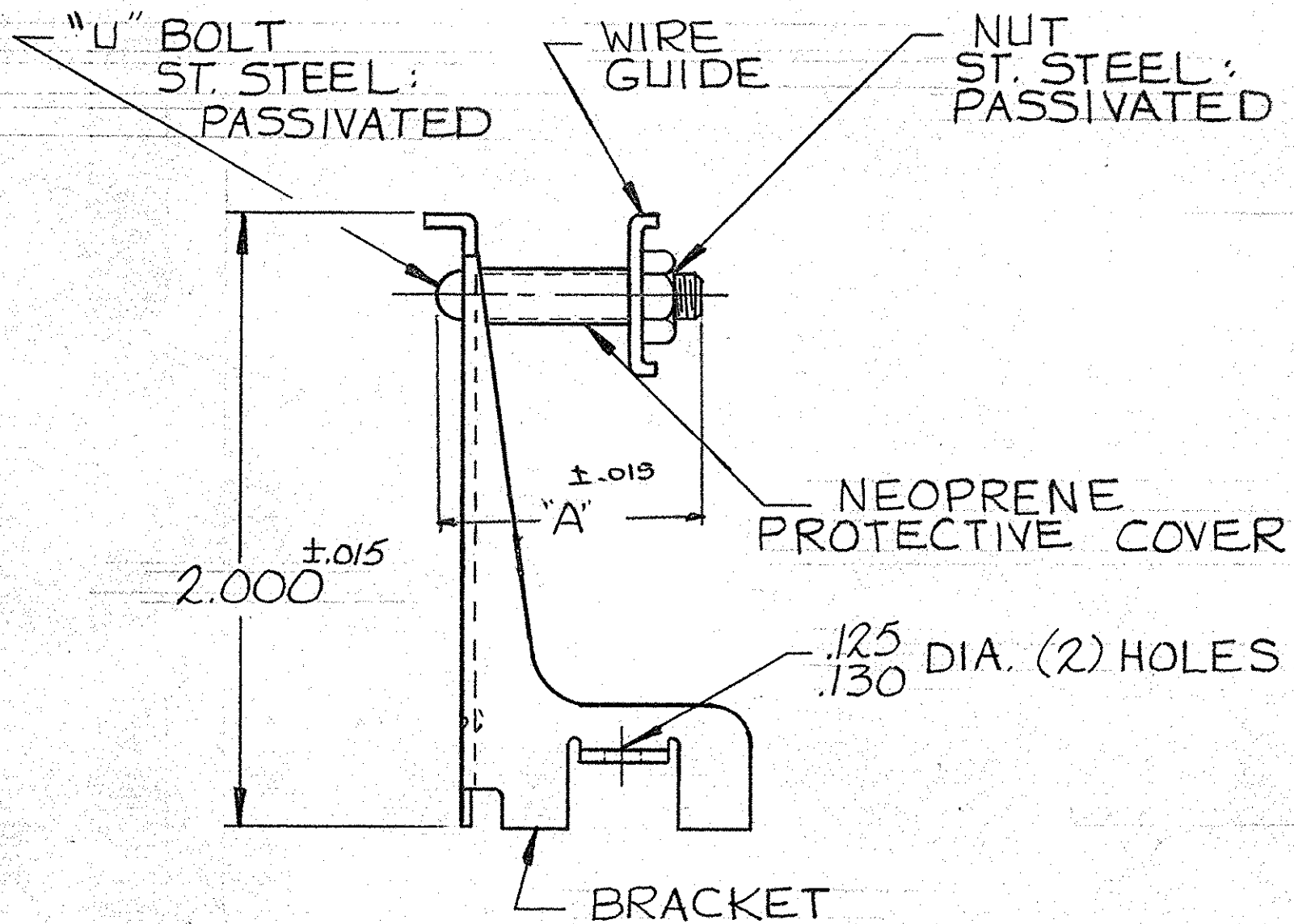
© 1964 BY AMP INCORPORATED. ALL RIGHTS RESERVED. AMP PRODUCTS COVERED BY PATENTS AND OR PATENTS PENDING. APPROVED PER GOVT CONTRACT NO.

REVISIONS				
SYM	ZONE	DESCRIPTION	DATE	APPROVAL
0		RELEASED WAS M5001-679	7/16/64	KJ D.S.H.
A		REVISED W-276	5-27-65	M.S./D.H.
B		REMOVE PROPOSED DESIGN STAMP W-530	7-23-65	M.S. RM
C		REVISED Y-68	1-18-66	M.S. J.H.
D		ADDED "A" DIMEN & -2 ECN A-881	11/3/70	MD SFS
D1		REV. PER ECN D-644	8 9-17-75	JL
E		REV PER ECN-05-001412	AA 05/05	DL
F		REV PER ECN-05-005359	11/65	PY/DE
G		ECO-09-002648	PY 5-09	DE

SUPERSEDED BY 5-202567-1 202567-1 1. AS SHOWN.
 2. "A" DIMENSION = .891

OBSOLETE 202567-2 1. SAME AS -1 EXCEPT:
 2. "A" DIMENSION = 1.266

5-202567-1 1. SAME AS -1 EXCEPT:
 2. PLATED ELECTROLESS NICKEL PER SAE-AMS-C.26074
 .000400-.000800 THK (NO INTENTIONAL ADDITIONS
 OF LEAD OR CHROMIUM PER AFE STD 230-700).
 3. "A" DIMENSION = .891



INK STAMP
 "AMP" & ASS'Y. NO.
 & DATE CODE IN
 THIS AREA ON
 OPPOSITE SIDE,

NOTE:
 © 1. ZINC PLATE PER ASTM-B-633 CLASS 3 TYPE II.
 COLORLESS SUPPLEMENTARY CHROMATE.

AMP INFO		NOMENCLATURE OR DESCRIPTION		PART OR IDENTIFYING NO.	
LOC	PRINT DIST	R 39/E		LIST OF MATERIALS OR PARTS LIST	
UNLESS OTHERWISE SPECIFIED DIMENSIONS ARE IN INCHES TOLERANCES ON FRACTIONS DECIMALS ANGLES ± .005 ±			SIGNATURE		DATE
MATERIAL C. R. STEEL			DR K. Jones		6/2/64
HEAT TREAT			CHK J.S. Heide		7/23/64
FINISH SEE NOTE 1			DSGN ENGR J. Williams		7-22-64
			OPER CCurtis		7/22/64
			DSGN APPD		CODE IDENT NO 00779
			OTHER APPD		SIZE C
					NUMBER 202567
					REV G
			SCALE 2-1		WT CALC ACTUAL SHEET