



Chipsmall Limited consists of a professional team with an average of over 10 year of expertise in the distribution of electronic components. Based in Hongkong, we have already established firm and mutual-benefit business relationships with customers from,Europe,America and south Asia,supplying obsolete and hard-to-find components to meet their specific needs.

With the principle of “Quality Parts,Customers Priority,Honest Operation,and Considerate Service”,our business mainly focus on the distribution of electronic components. Line cards we deal with include Microchip,ALPS,ROHM,Xilinx,Pulse,ON,Everlight and Freescale. Main products comprise IC,Modules,Potentiometer,IC Socket,Relay,Connector.Our parts cover such applications as commercial,industrial, and automotives areas.

We are looking forward to setting up business relationship with you and hope to provide you with the best service and solution. Let us make a better world for our industry!



Contact us

Tel: +86-755-8981 8866 Fax: +86-755-8427 6832

Email & Skype: info@chipsmall.com Web: www.chipsmall.com

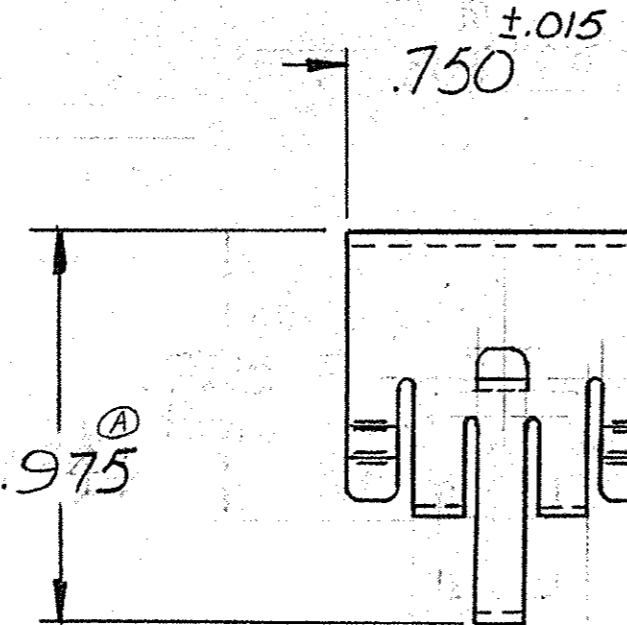
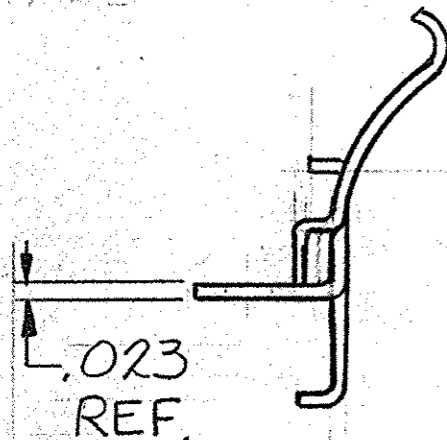
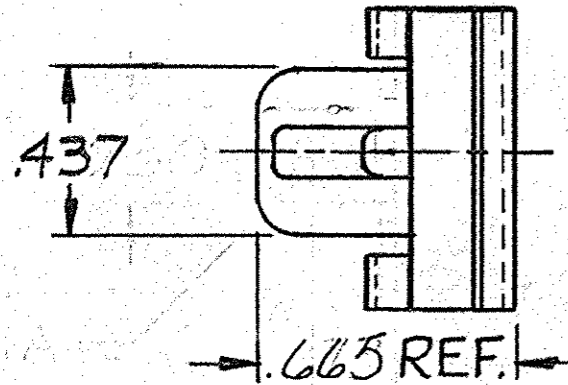
Address: A1208, Overseas Decoration Building, #122 Zhenhua RD., Futian, Shenzhen, China



©1964 BY AMP INCORPORATED. ALL RIGHTS RESERVED. AMP PRODUCTS COVERED BY PATENTS AND/OR PATENTS PENDING.

REVISIONS

SYM	ZONE	DESCRIPTION	DATE	APPROVAL
O		RELEASED WAS M5001-529	7/21/64	KJ/DSTH
A		REVISED V-291	7/30/64	KJ/DM
B		REMOVE PROPOSED DESIGN STAMP W-530	7-23-65	M.S. DM
C		ADD -Z Y-890	1-10-67	KJ/DM
D		REV PER PHIA-0241-05	04-05	AP/OE
E		REV PER ECO-05-005359	11-05	PY/OE



- 202577-1 Δ 3 1. AS SHOWN
- 202577-2 Δ 3 1. SAME AS -1 EXCEPT:
2. ASS'Y INCLUDES (2) SCREWS,
(2) LOCKWASHERS & (2) NUTS
- 5-202577-2 Δ 4 1. AS SHOWN
1. (2) LOCKING SPRINGS PACKAGED PER UNIT.
2. FOR MATING CATCH SEE 202576.
- Δ 3 ELECTROLESS NICKEL PLATE PER SAE-AMS-C-2607A
.00002 - .000022 THK.
- Δ 4 ELECTROLESS NICKEL PLATE PER SAE-AMS-C-2607A
.00002 - .000022 THK (NO INTENTIONAL ADDITIONS OF
LEAD OR CADMIUM PER DFE STANDARD 230-700).

SUPERSEDED BY 5--2

QTY	PART OR REQD IDENTIFYING NO.	NOMENCLATURE OR DESCRIPTION
LIST OF MATERIALS OR PARTS LIST		
UNLESS OTHERWISE SPECIFIED DIMENSIONS ARE IN INCHES TOLERANCES ON		SIGNATURE DR <i>K. Jones</i> 3/18/64 CHK <i>D.S. Heide</i> 7/22/64 DSGN ENGR <i>J. Dellystone</i> 7-22-64 APPR <i>W. Curtis</i> 7/22/64
FRACTIONS ±	DECIMALS ± .005	
MATERIAL STEEL		DATE 3/18/64 7/22/64 7-22-64 7/22/64
HEAT TREAT — / — / —		
FINISH ELECTROPLATE		AMP INCORPORATED HARRISBURG, PENNSYLVANIA
AMP INFO LOC PRINT DIST R 39 E		NAME LOCKING SPRING SERIES "G"
		CODE IDENT NO 00779
		SIZE B
		NUMBER 202577-2
		SCALE 2-1
		WT
		CALC
		ACTUAL
		SHEET

CUSTOMER DRAWING