



Chipsmall Limited consists of a professional team with an average of over 10 year of expertise in the distribution of electronic components. Based in Hongkong, we have already established firm and mutual-benefit business relationships with customers from,Europe,America and south Asia,supplying obsolete and hard-to-find components to meet their specific needs.

With the principle of “Quality Parts,Customers Priority,Honest Operation,and Considerate Service”,our business mainly focus on the distribution of electronic components. Line cards we deal with include Microchip,ALPS,ROHM,Xilinx,Pulse,ON,Everlight and Freescale. Main products comprise IC,Modules,Potentiometer,IC Socket,Relay,Connector.Our parts cover such applications as commercial,industrial, and automotives areas.

We are looking forward to setting up business relationship with you and hope to provide you with the best service and solution. Let us make a better world for our industry!



## Contact us

Tel: +86-755-8981 8866 Fax: +86-755-8427 6832

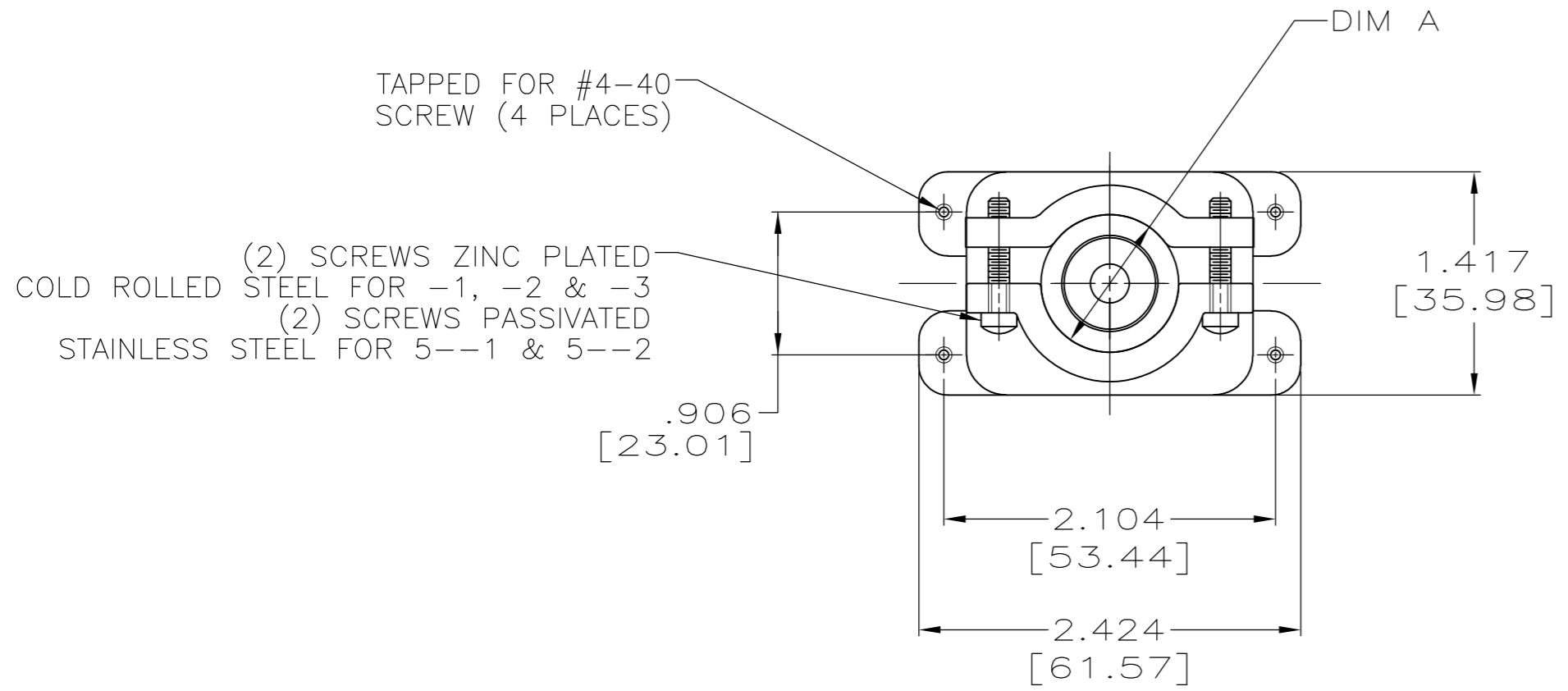
Email & Skype: info@chipsmall.com Web: www.chipsmall.com

Address: A1208, Overseas Decoration Building, #122 Zhenhua RD., Futian, Shenzhen, China

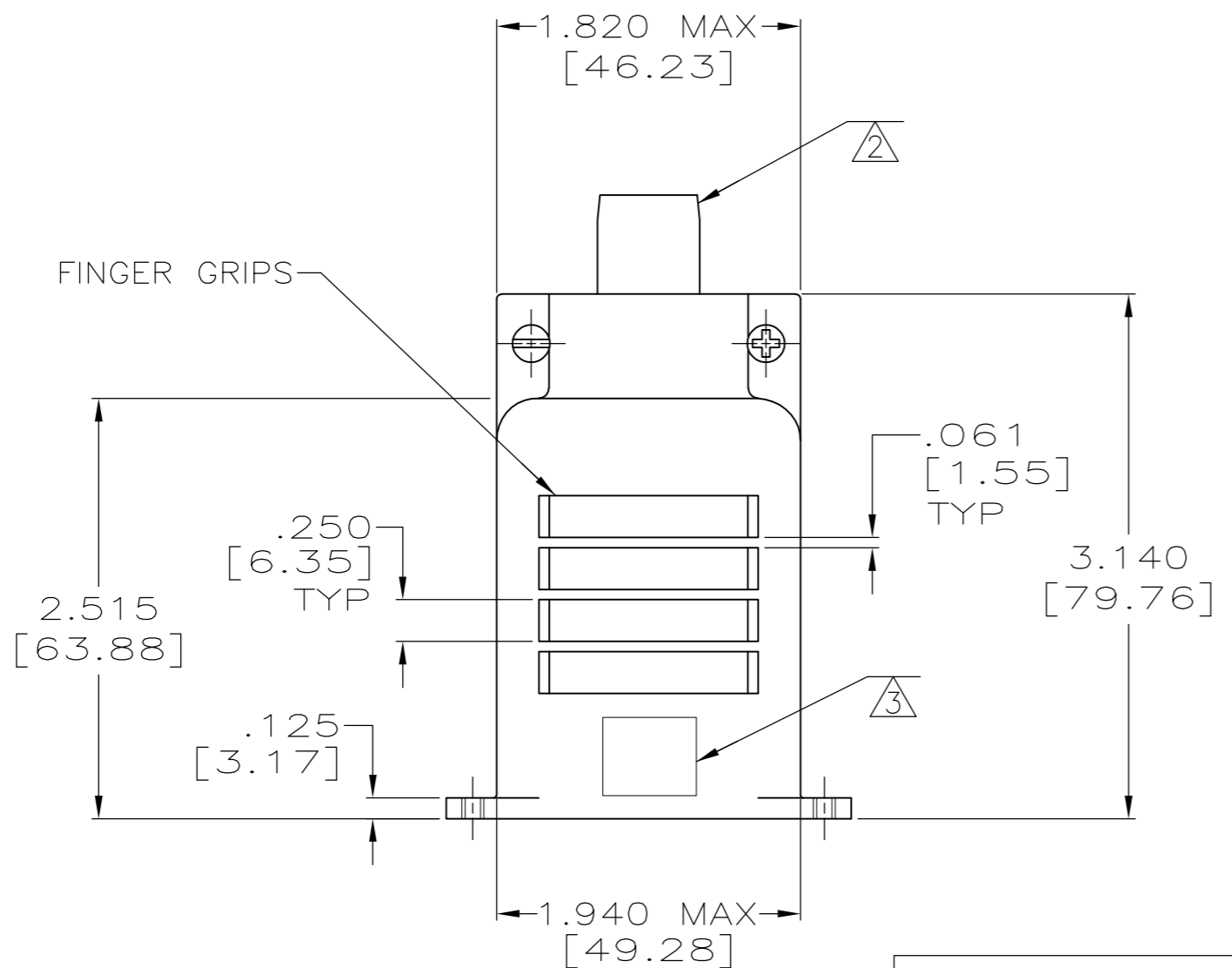


THIS DRAWING IS UNPUBLISHED. RELEASED FOR PUBLICATION - N/A .  
 © COPYRIGHT N/A By - ALL RIGHTS RESERVED.

LOC	DIST	REVISIONS					
DF	B0	P	LTR	DESCRIPTION	DATE	DWN	APVD
		M		REV PER ECO-11-020125	07NOV11	PY	DE



- ① ZINC PLATE PER ASTM-B-633 TYPE II CLASS 3 COLORLESS SUPPLEMENTARY CHROMATE.
- ② TWO RUBBER BUSHINGS SUPPLIED TO, PROVIDE .250 [6.35], .625 [15.88], DIAMETER OUTLETS.
- ③ AMP, AMP PART NUMBER AND DATE CODE MARKED APPROXIMATELY AS SHOWN.
- 4. SHIELD TO ACCOMMODATE MODULE RECEPTACLE ASSEMBLY OR PLUG ASSEMBLY.
- ⑤ BULK PACKAGED.
- ⑥ PLATED ELECTROLESS NICKEL PER SAE-AMS-C-26074 .000400-.000800 THK (NO INTENTIONAL ADDITIONS OF LEAD OR CADMIUM PER DFE STANDARD 230-700).



SUPERSEDED BY 5-202617-2  
 SUPERSEDED BY 5-202617-1

REMARKS	DIM A	FINGER GRIPS BOTH SIDES	BUSHINGS	FINISH	PART NUMBER
-	∅.875	YES	NO	⑥	5-202617-2
-	∅.875	YES	YES	⑥	5-202617-1
OBSOLETE	⑤	∅.875	YES	①	202617-4
OBSOLETE	-	∅1.000	YES	①	202617-3
-	∅.875	YES	NO	①	202617-2
-	∅.875	YES	YES	①	202617-1

THIS DRAWING IS A CONTROLLED DOCUMENT.		DWN T. THOMPSON 10-NOV-98	<b>STE</b> TE Connectivity	
DIMENSIONS: INCHES		CHK R. BELL 10-NOV-98		
TOLERANCES UNLESS OTHERWISE SPECIFIED:		APVD R. BELL 10-NOV-98	NAME SHIELD FOR MODULE ASSEMBLY 2 BLOCK ASSEMBLY	
0 PLC ± -		PRODUCT SPEC	SIZE CAGE CODE DRAWING NO RESTRICTED TO	
1 PLC ± -		APPLICATION SPEC	A2 00779 C-202617	
2 PLC ± -		WEIGHT -	SCALE 1:1 SHEET 1 of 1 REV M	
3 PLC ± .015[0.31]		CUSTOMER DRAWING		
4 PLC ± -				
ANGLES ± -				
FINISH SEE TABLE				
MATERIAL ALUMINUM DIE CAST PER QQ-A-591				