



Chipsmall Limited consists of a professional team with an average of over 10 year of expertise in the distribution of electronic components. Based in Hongkong, we have already established firm and mutual-benefit business relationships with customers from,Europe,America and south Asia,supplying obsolete and hard-to-find components to meet their specific needs.

With the principle of “Quality Parts,Customers Priority,Honest Operation,and Considerate Service”,our business mainly focus on the distribution of electronic components. Line cards we deal with include Microchip,ALPS,ROHM,Xilinx,Pulse,ON,Everlight and Freescale. Main products comprise IC,Modules,Potentiometer,IC Socket,Relay,Connector.Our parts cover such applications as commercial,industrial, and automotives areas.

We are looking forward to setting up business relationship with you and hope to provide you with the best service and solution. Let us make a better world for our industry!



Contact us

Tel: +86-755-8981 8866 Fax: +86-755-8427 6832

Email & Skype: info@chipsmall.com Web: www.chipsmall.com

Address: A1208, Overseas Decoration Building, #122 Zhenhua RD., Futian, Shenzhen, China

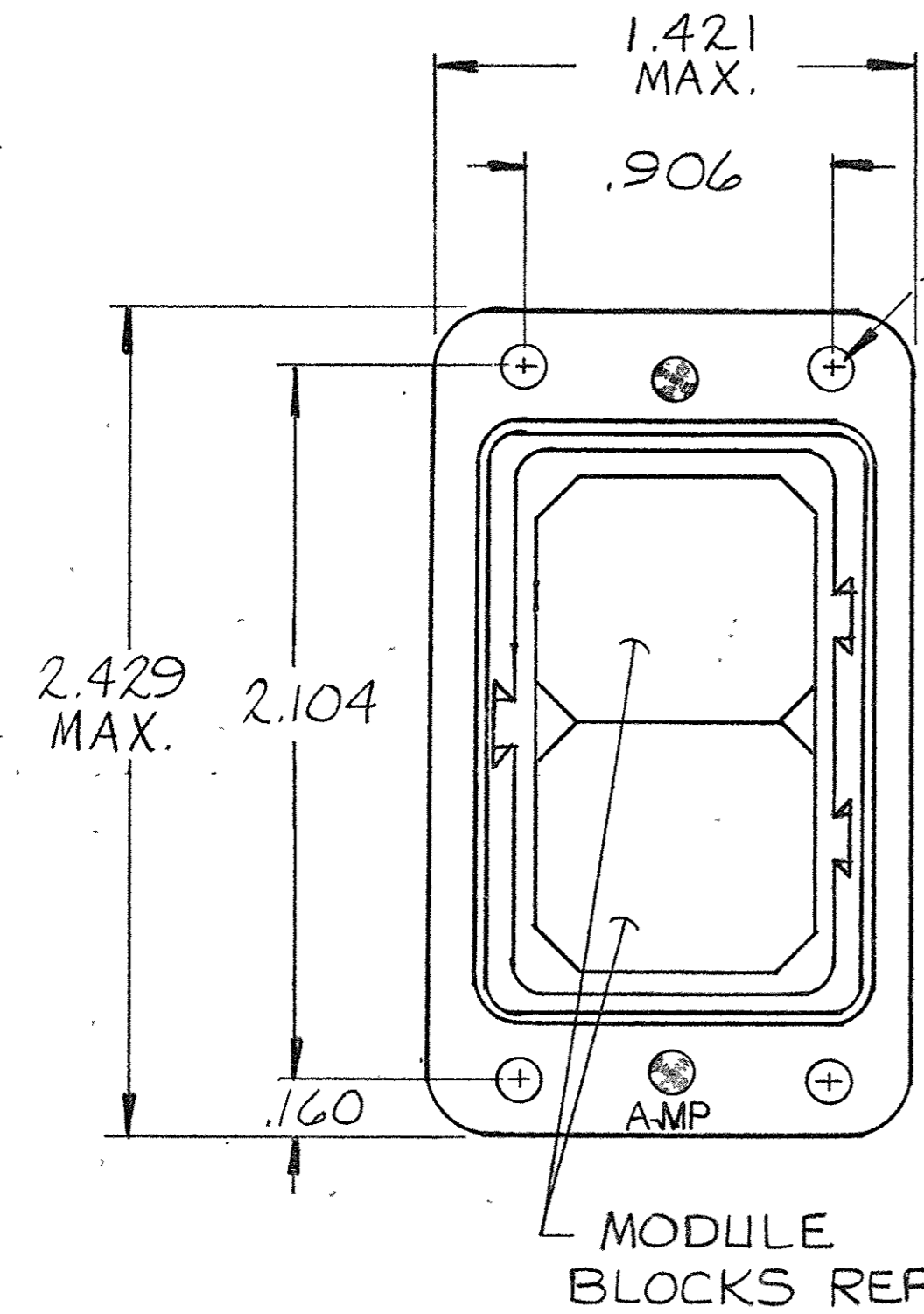


© 1964 BY AMP INCORPORATED. ALL RIGHTS RESERVED. AMP PRODUCTS COVERED BY PATENTS AND/OR PATENTS PENDING. APPROVED PER GOVT. CONTRACT NO.

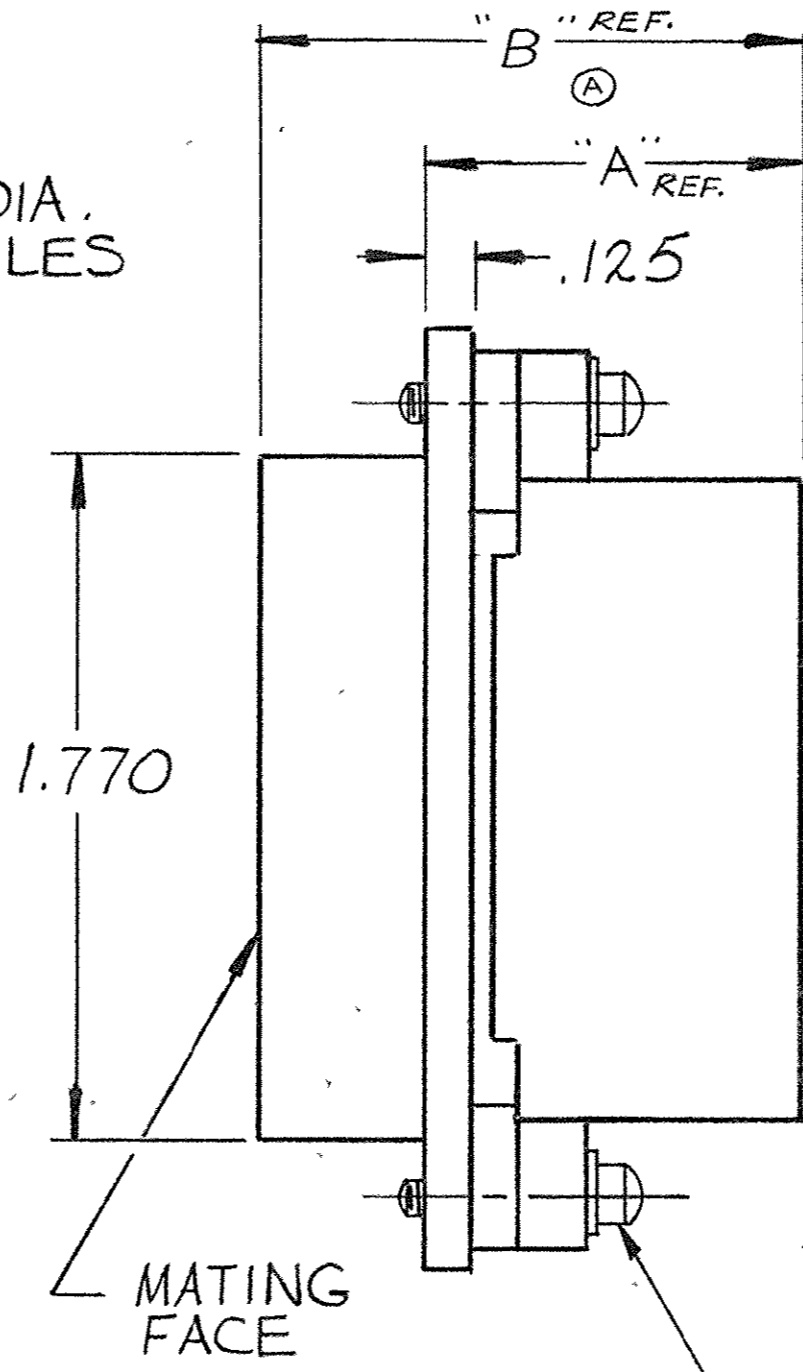
NUMBER 202681

Unpublished copy not to be distributed without written permission of AMP INCORPORATED, HARRISBURG, PA.

REVISIONS				
SYM	ZONE	DESCRIPTION	DATE	APPROVAL
O		RELEASED WAS MIS012-296	12-30-64	W.B. / L.S.H.
A		REVISED W-421 W-524	8-2-5	M.S. DM
B		REVISED W-777	10-14-5	M.S. DH
C		REV. PER ECN Z-807, LIA	11-21-68	DM
D		REVISED D576	2-24-73	KV / JH
E		REV. / ECN H-220	8-14-80	CLZ
F		REV. / ECN R-1648	11-11-85	MPH / J.M.L.
G		REV PER DF-2235	T.W. 9-5-89	MES
H		REV PER DF-2547	J.M. 12-8-89	S.M.
J		REV PER ELD-05-001A12	AL 05/05	PL
K		REV PER ECO-05-005359	11/05	PY/DE



.120 DIA. (4) HOLES



- 202681-1. 1. AS SHOWN
- 202681-2. 1. SAME AS -1 EXCEPT:
2. FILLISTER HEAD SCREWS
- 202681-3. 1. SAME AS -2 EXCEPT:
2. "A" AND "B" DIMENSIONS.
- 202681-4. 1. SAME AS -3 EXCEPT:
2. HARDWARE IS NON-MAG. SST.
- 5-202681-2. 1. SAME AS -2 EXCEPT:
2. PLATING
- 5-202681-3. 1. SAME AS -3 EXCEPT:
2. PLATING

SUPERSEDED BY 5-2

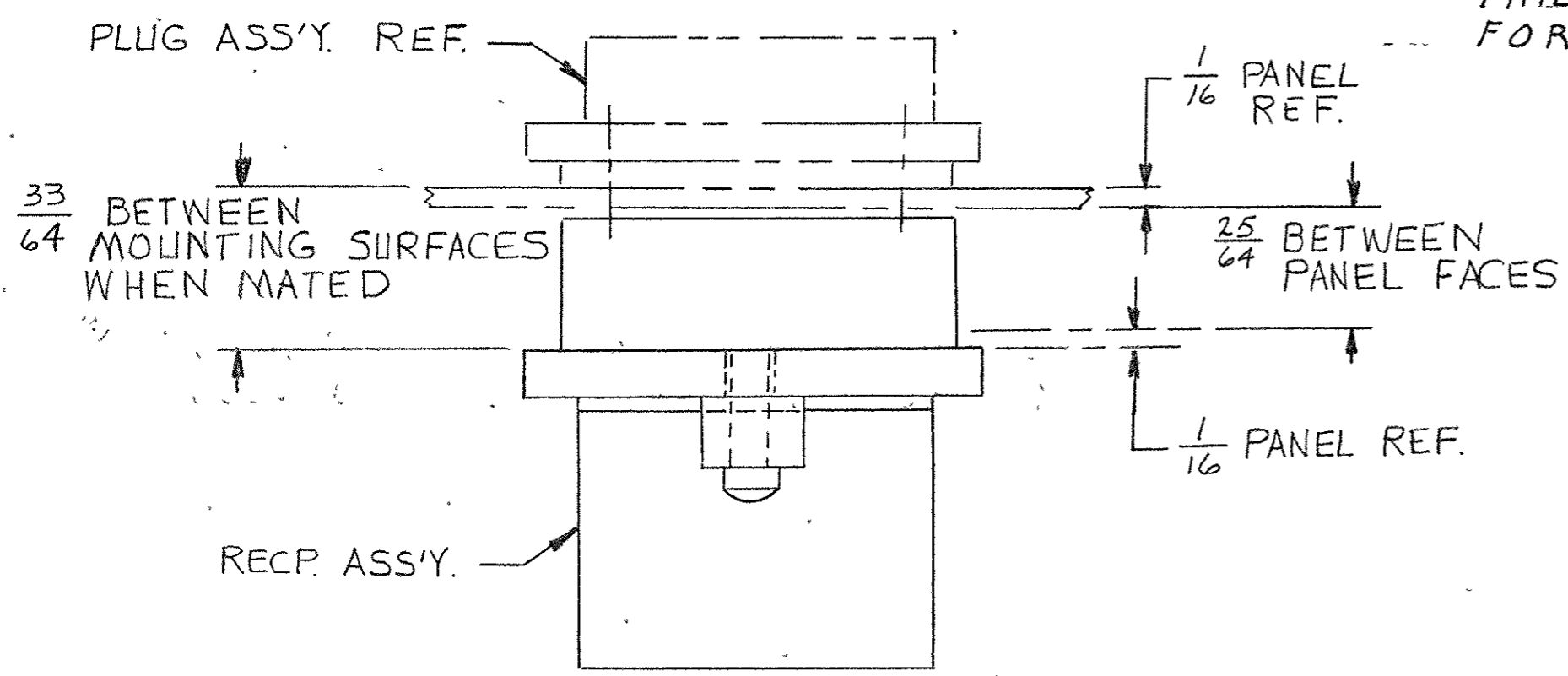
SUPERSEDED BY 5-3

NOTE:
 1. ZINC PLATE PER ASTM-B-633 CLASS 2 COLORLESS SUPPLEMENTARY CHROMATE.
 2. PLATED ELECTROLESS NICKEL PER SAE-AMS-C-26074 .000400-.000800 THK (NO INTENTIONAL ADDITIONS OF LEAD OR CADMIUM PER DFE STD 230-700).

PHILLIPS HD. SCREWS FOR -1 ONLY

SUPERSEDED BY 5-202681-3
 SUPERSEDED BY 5-202681-2

REV	SYM	ZONE	DESCRIPTION	DATE	APPROVAL
5	202681-3		.595 1.103		1
5	202681-2		1.001 1.509		1
	202681-4		.595 1.103		1
	202681-3		.595 1.103		1
	202681-2		1.001 1.509		1
	202681-1		1.001 1.509		1



AMP INFO	LOC	PRINT	DIST	BY	REQD	NOMENCLATURE OR DESCRIPTION	PART OR IDENTIFYING NO	"A"	"B"	FINISH
	DF	J	BO							
UNLESS OTHERWISE SPECIFIED DIMENSIONS ARE IN INCHES TOLERANCES ON FRACTIONS DECIMALS ANGLES ± .005 ±										
MATERIAL		SIGNATURE		DATE		AMP INCORPORATED HARRISBURG, PENNSYLVANIA				
DIE CAST ALUMINUM		K. Jones		6/8/64		RECEPTACLE ASSEMBLY MODULE				
HEAT TREAT		CHKD		DATE		CODE IDENT NO				
— 1 —		R.S. Heide		1/8/65		00779 - C				
FINISH		DSGN ENGR		DATE		SIZE				
SEE NOTE 1		L.B. Miller		1-11-65		NUMBER				
		APPR		DATE		SCALE				
		C. C. C.		1/1/65		2 - 1				
		OTHER APPD				WT				
						CALC				
						ACTUAL				
						SHEET				
						2 CUSTOMER DRAWING				