



Chipsmall Limited consists of a professional team with an average of over 10 year of expertise in the distribution of electronic components. Based in Hongkong, we have already established firm and mutual-benefit business relationships with customers from,Europe,America and south Asia,supplying obsolete and hard-to-find components to meet their specific needs.

With the principle of “Quality Parts,Customers Priority,Honest Operation,and Considerate Service”,our business mainly focus on the distribution of electronic components. Line cards we deal with include Microchip,ALPS,ROHM,Xilinx,Pulse,ON,Everlight and Freescale. Main products comprise IC,Modules,Potentiometer,IC Socket,Relay,Connector.Our parts cover such applications as commercial,industrial, and automotives areas.

We are looking forward to setting up business relationship with you and hope to provide you with the best service and solution. Let us make a better world for our industry!



Contact us

Tel: +86-755-8981 8866 Fax: +86-755-8427 6832

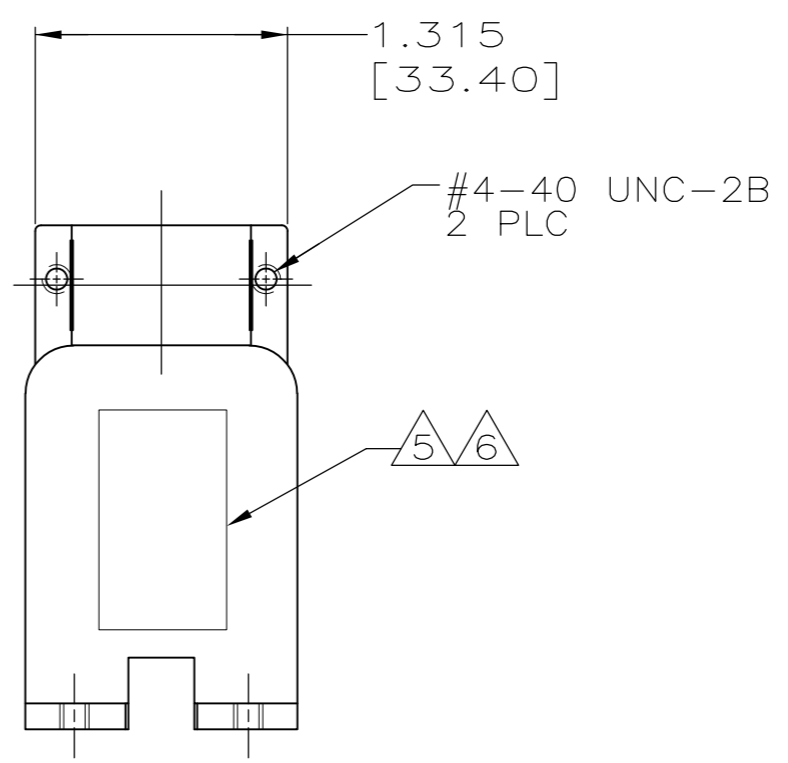
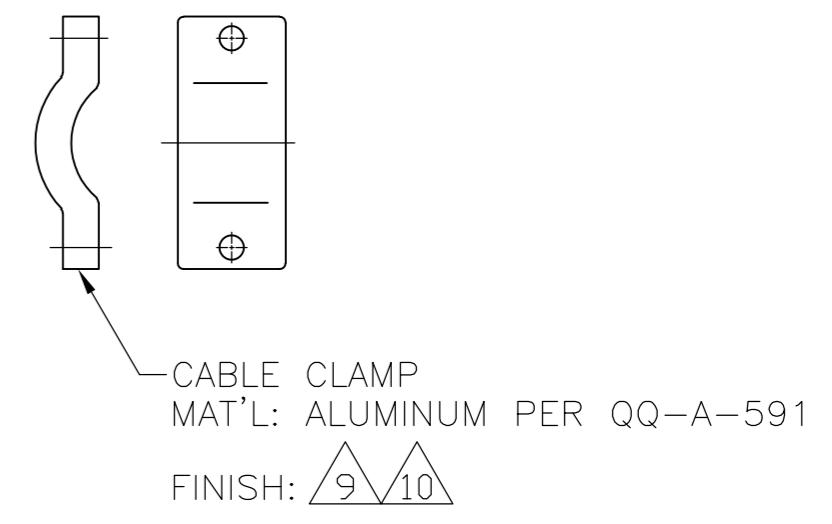
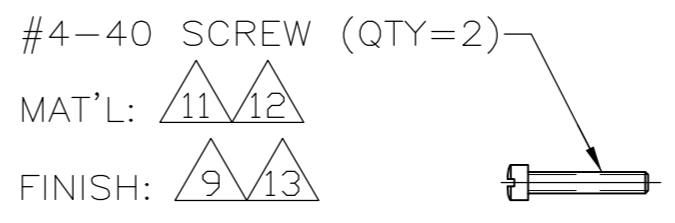
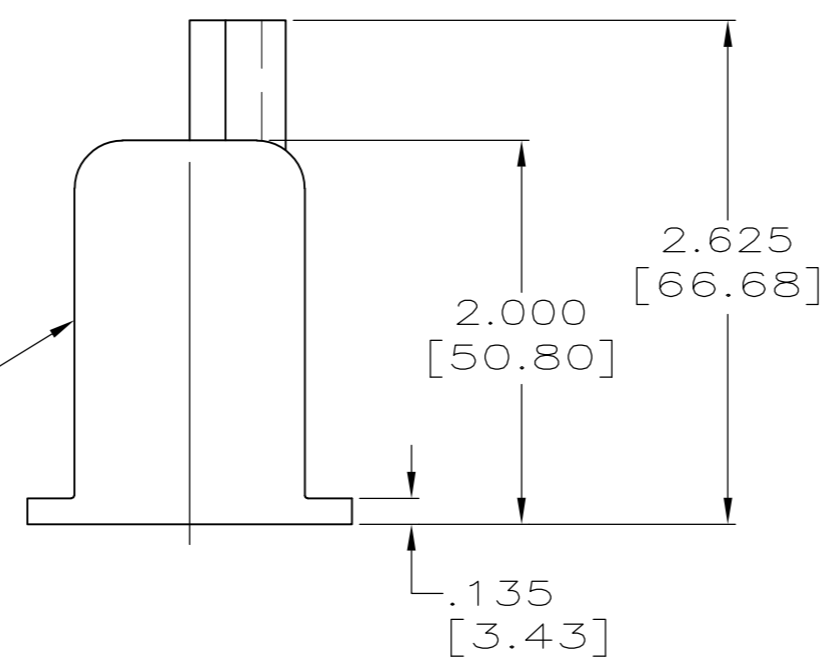
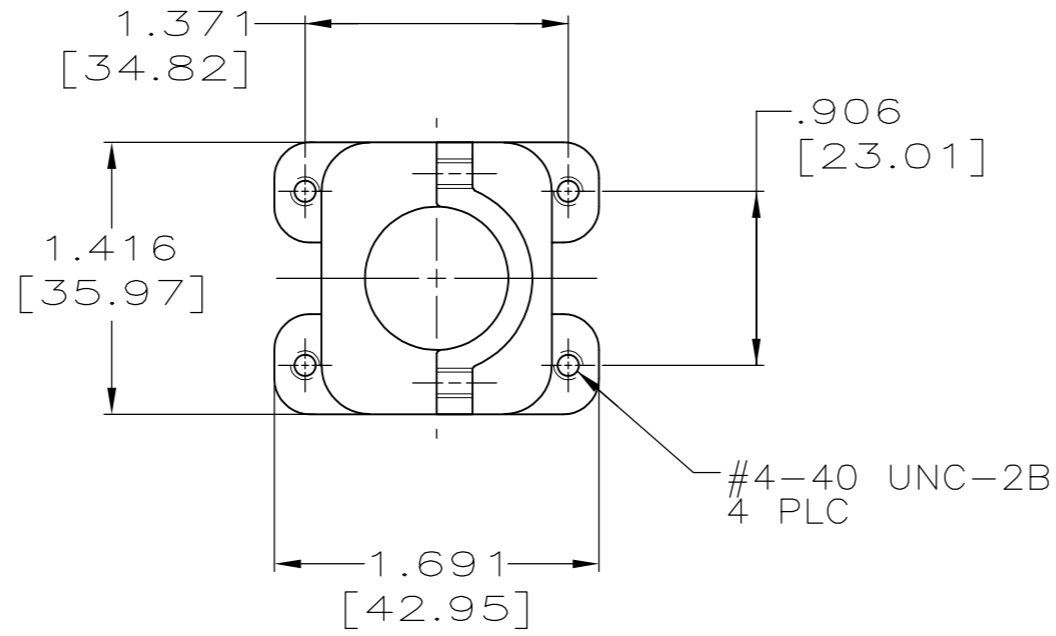
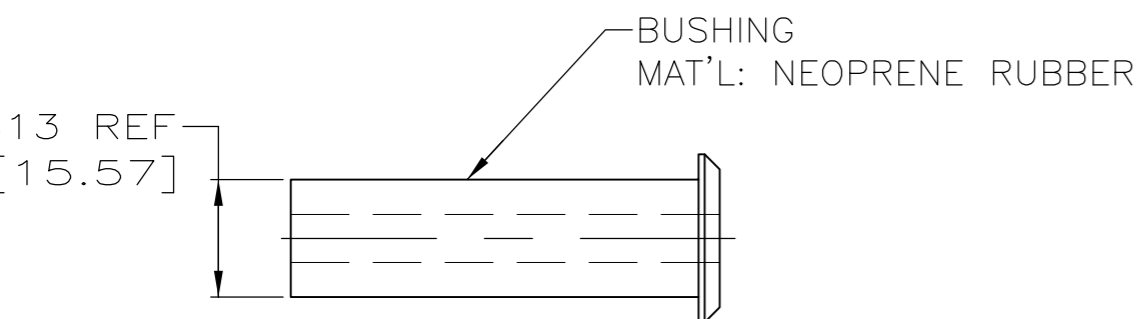
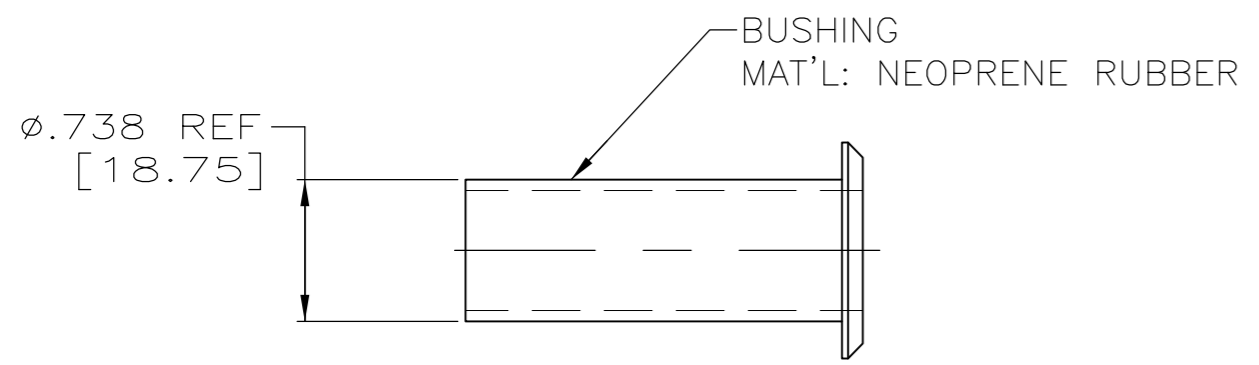
Email & Skype: info@chipsmall.com Web: www.chipsmall.com

Address: A1208, Overseas Decoration Building, #122 Zhenhua RD., Futian, Shenzhen, China



THIS DRAWING IS UNPUBLISHED. RELEASED FOR PUBLICATION - N/A .
 © COPYRIGHT N/A BY TYCO ELECTRONICS CORPORATION. ALL RIGHTS RESERVED.

LOC	DIST	REVISIONS			
P	LTR	DESCRIPTION	DATE	DWN	APVD
DF	B0	H	REV PER ECO-08-021090	15SEP08	PK DE



- SHIELD KIT TO ACCOMMODATE SERIES "G" PLUG OR RECEPTACLE ASSEMBLY.
- PARTS PACKAGED UNASSEMBLED.
- STANDARD PACKAGING (ONE KIT PER BAG).
- BULK PACKAGE.
- AMP, 202764-2, DATE CODE AND CAGE CODE 00779 MARKED ON EITHER SIDE.
- AMP, 202764-1, DATE CODE AND CAGE CODE 00779 MARKED ON EITHER SIDE.
- AMP, 5-202764-2, DATE CODE AND CAGE CODE 00779 MARKED ON EITHER SIDE.
- AMP, 5-202764-1, DATE CODE AND CAGE CODE 00779 MARKED ON EITHER SIDE.

- 9 ZINC PLATE PER ASTM-B-633, .0002-.0004 THK.
- 10 ELECTROLESS NICKEL PLATE PER SAE-AMS-C-26074, .0004-.0008 THK (NO INTENTIONAL ADDITIONS OF LEAD OR CADMIUM PER DFE STANDARD 230-700).
- 11 CARBON STEEL.
- 12 STAINLESS STEEL.
- 13 PASSIVATED.

3 8 10 12 13	AS SHOWN	5-202764-3
3 7 10 12 13	WITHOUT RUBBER BUSHINGS	5-202764-2
3 8 10 12 13	AS SHOWN	5-202764-1
4 6 9 11	AS SHOWN	202764-3
3 5 9 11	WITHOUT RUBBER BUSHINGS	202764-2
3 6 9 11	AS SHOWN	202764-1

REMARKS	DESCRIPTION	PART NUMBER
SUPERSEDED BY 5-202764-3		
SUPERSEDED BY 5-202764-2		
SUPERSEDED BY 5-202764-1		
	SHIELD KIT FOR SERIES G 1 BLOCK ASSY	
	SIZE: A2 CAGE CODE: 00779 DRAWING NO: C-202764	RESTRICTED TO: -
CUSTOMER DRAWING	SCALE: 1:1 SHEET: 1 OF 1	REV: H

THIS DRAWING IS A CONTROLLED DOCUMENT.		DWN: C.C.THOMAS 11-MAR-98	Tyco Electronics Corporation Harrisburg, Pa 17105-3608
DIMENSIONS: INCHES		CHK: B.KROH 12-MAR-98	
TOLERANCES UNLESS OTHERWISE SPECIFIED:		APVD: B.KROH 12-MAR-98	
0 PLC ± - 1 PLC ± - 2 PLC ± - 3 PLC ± .010[0.25] 4 PLC ± - ANGLES ± - FINISH -		NAME: B.KROH PRODUCT SPEC: - APPLICATION SPEC: - WEIGHT: -	