



Chipsmall Limited consists of a professional team with an average of over 10 year of expertise in the distribution of electronic components. Based in Hongkong, we have already established firm and mutual-benefit business relationships with customers from,Europe,America and south Asia,supplying obsolete and hard-to-find components to meet their specific needs.

With the principle of “Quality Parts,Customers Priority,Honest Operation,and Considerate Service”,our business mainly focus on the distribution of electronic components. Line cards we deal with include Microchip,ALPS,ROHM,Xilinx,Pulse,ON,Everlight and Freescale. Main products comprise IC,Modules,Potentiometer,IC Socket,Relay,Connector.Our parts cover such applications as commercial,industrial, and automotives areas.

We are looking forward to setting up business relationship with you and hope to provide you with the best service and solution. Let us make a better world for our industry!



Contact us

Tel: +86-755-8981 8866 Fax: +86-755-8427 6832

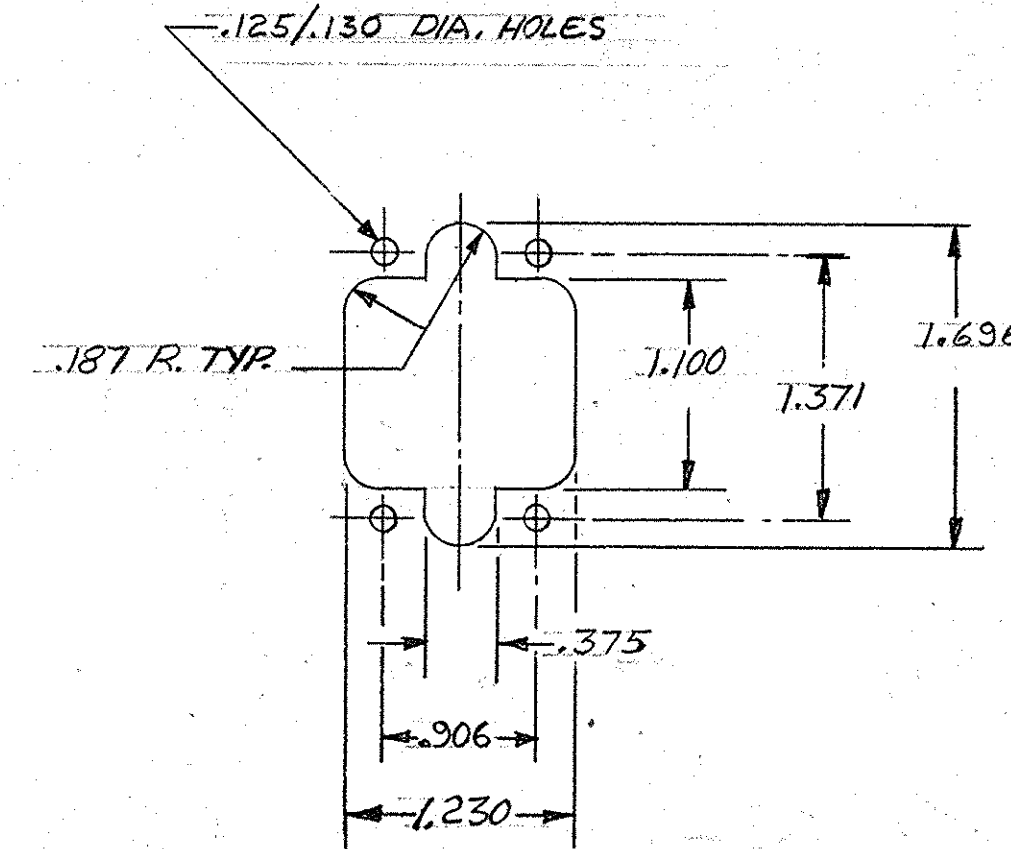
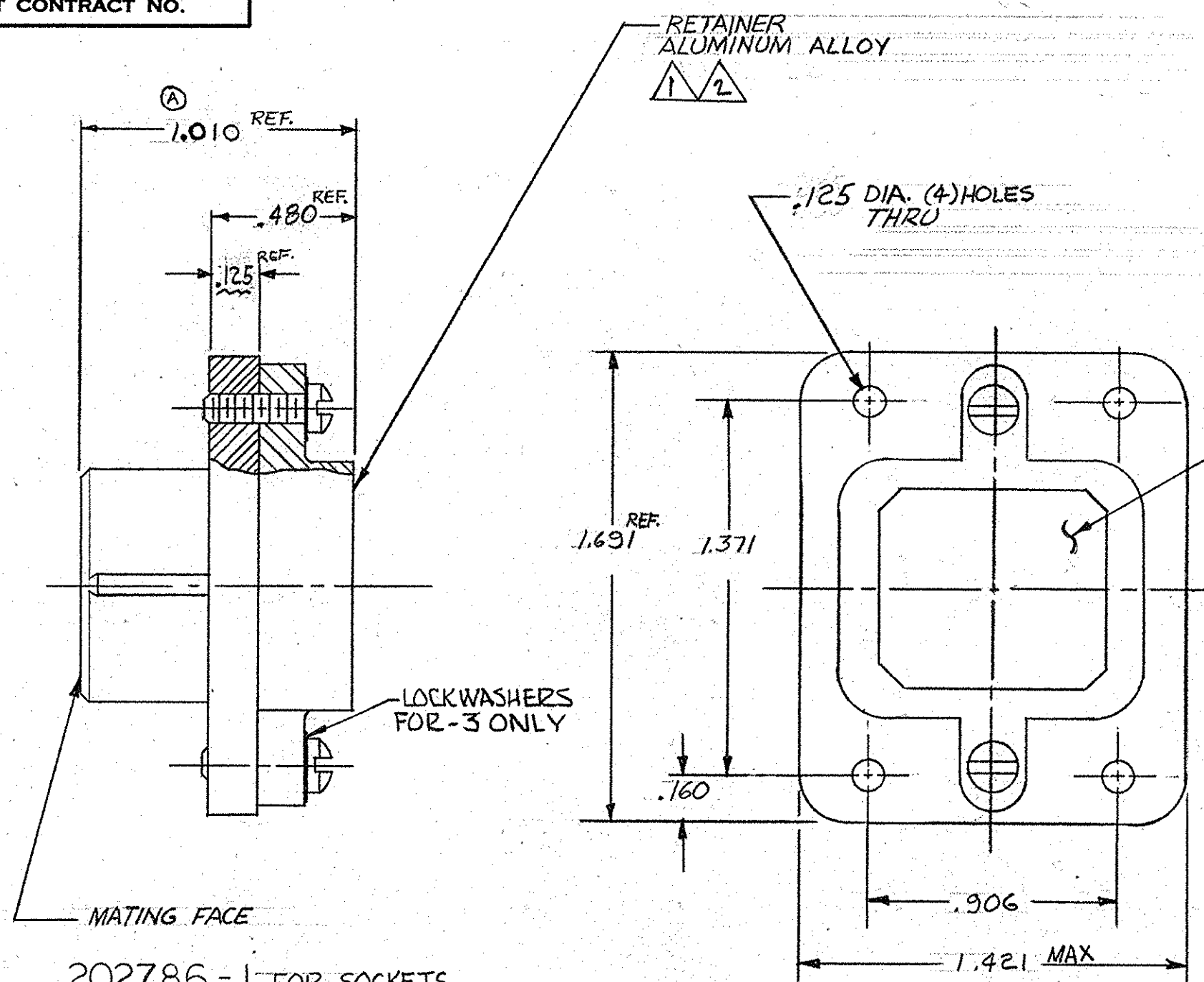
Email & Skype: info@chipsmall.com Web: www.chipsmall.com

Address: A1208, Overseas Decoration Building, #122 Zhenhua RD., Futian, Shenzhen, China

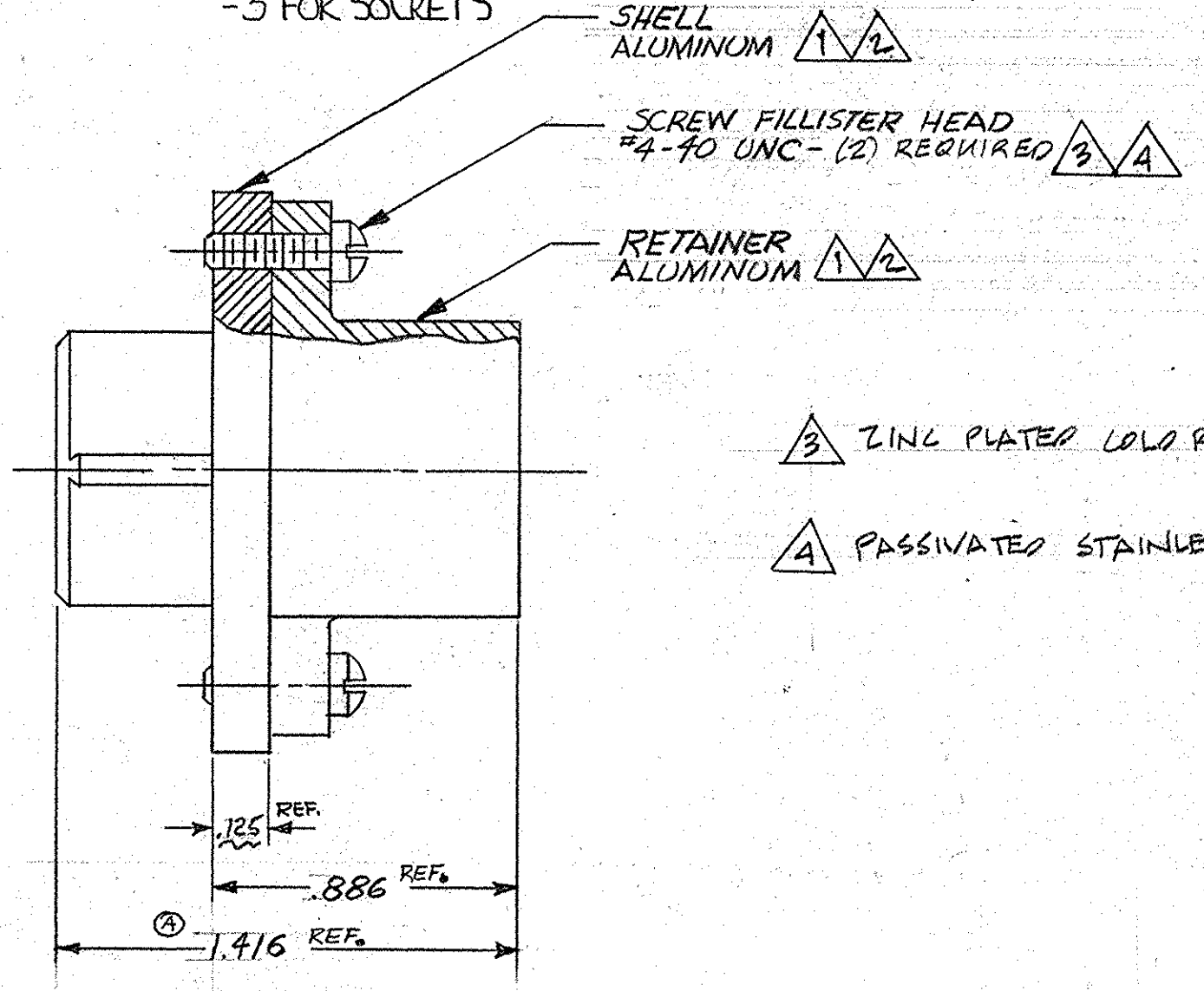


© 1966 BY AMP INCORPORATED. ALL RIGHTS RESERVED. AMP PRODUCTS COVERED BY PATENTS AND/OR PATENTS PENDING. APPROVED PER GOVT CONTRACT NO.

REVISIONS				
ZONE	LTR	DESCRIPTION	DATE	APPROVED
A		REVISED	W-777	10-14-5 m.s./D.H.
B		REVISED	Y-68	1-19-66 m.s. J.H.
C		ADDED -3 PER ECN A-491	4-9-70	AA/AS
D		REV. PER ECN D-644	8-10-75	AA
E		REV. / ECN H-220	8-14-80	AA
F		REV PER ELD-05-001412	05/05	DE
G		REV PER ECO-05-005359	11/05	PY/DE



202786-1 FOR SOCKETS
-3 FOR SOCKETS



- ③ ZINC PLATED COLD ROLLED STEEL.
- ④ PASSIVATED STAINLESS STEEL.

- ① ZINC PLATE PER ASTM-B-1633 TYPE II, CLASS 3 COLORLESS SUPPLEMENTARY CHROMATE.
- ② ELECTROLESS NICKEL PLATE PER SAE-A.M.S.-C-26074 .000400 - .000800 THK (NO INTENTIONAL ADDITIONS OF LEAD OR CHROMIUM PER DFE STD 230-700).

SUPERSEDED BY 5--2	① ③	202786-2
SUPERSEDED BY 5--1	① ③	202786-1

AMP INFO	QTY REQD	NOMENCLATURE OR DESCRIPTION	PART OR IDENTIFYING NO
LOC R 39/G			
LIST OF MATERIALS OR PARTS LIST			
UNLESS OTHERWISE SPECIFIED DIMENSIONS ARE IN INCHES TOLERANCES ON		CONTRACT NO	
FRACTIONS ± .11	DECIMALS ± .005	ANGLES ± .11	DR E. Reminger DATE 7/8/65
MATERIAL		CHK R. J. Miller DATE 8/23/65	AMP INCORPORATED HARRISBURG, PENNSYLVANIA
HEAT TREAT		DSGN ENGR J. J. Williams DATE 8-24-64	
FINISH		APPD R. J. Miller DATE 8/26/65	PLUG ASSEMBLY MODULE SERIES "G" (1 BLOCK)
		DSGN APPD	
		OTHER APPD	SIZE C
			CODE IDENT NO 00779
			NUMBER 202786
			SCALE 2-1
			WT CALC ACTUAL SHEET

NUMBER 202786