



Chipsmall Limited consists of a professional team with an average of over 10 year of expertise in the distribution of electronic components. Based in Hongkong, we have already established firm and mutual-benefit business relationships with customers from,Europe,America and south Asia,supplying obsolete and hard-to-find components to meet their specific needs.

With the principle of “Quality Parts,Customers Priority,Honest Operation,and Considerate Service”,our business mainly focus on the distribution of electronic components. Line cards we deal with include Microchip,ALPS,ROHM,Xilinx,Pulse,ON,Everlight and Freescale. Main products comprise IC,Modules,Potentiometer,IC Socket,Relay,Connector.Our parts cover such applications as commercial,industrial, and automotives areas.

We are looking forward to setting up business relationship with you and hope to provide you with the best service and solution. Let us make a better world for our industry!



## Contact us

Tel: +86-755-8981 8866 Fax: +86-755-8427 6832

Email & Skype: info@chipsmall.com Web: www.chipsmall.com

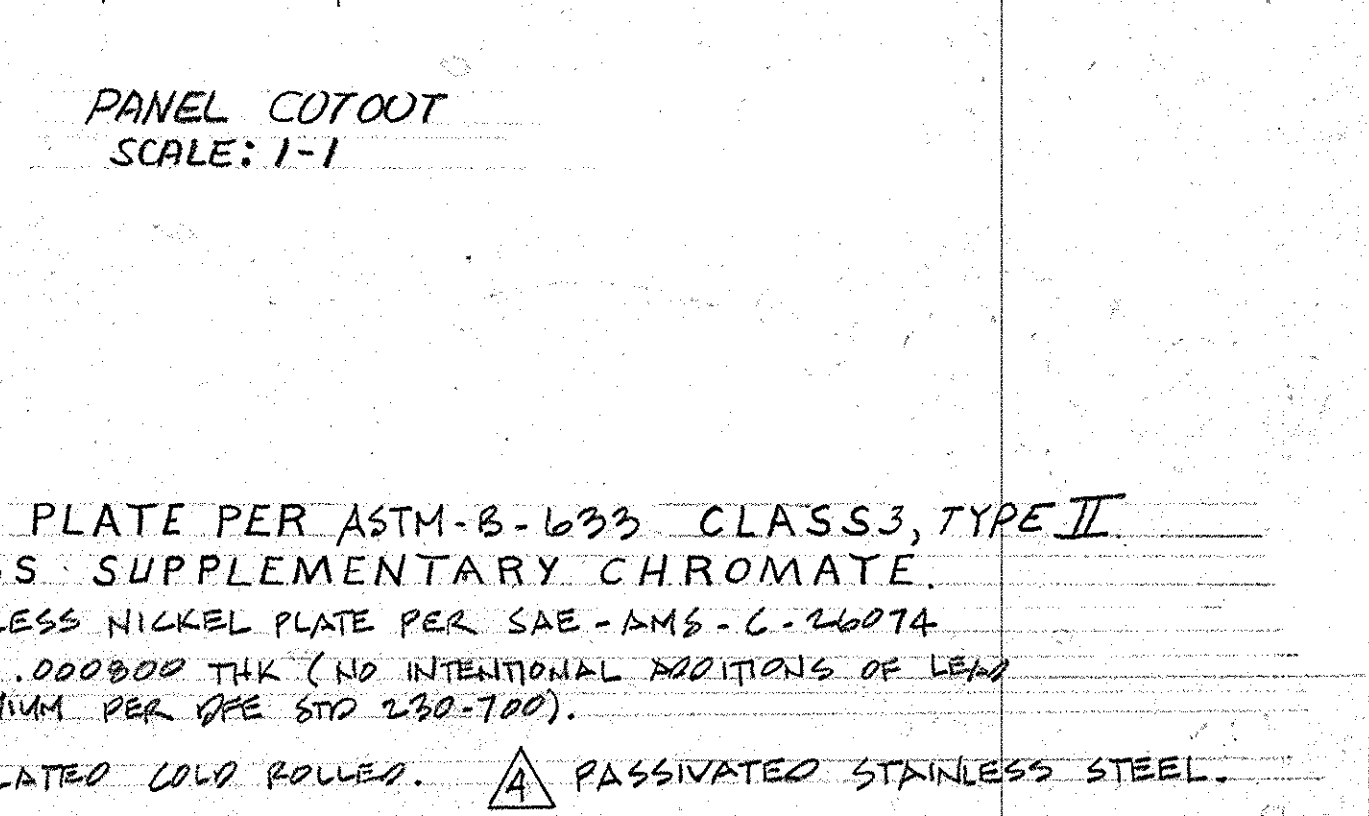
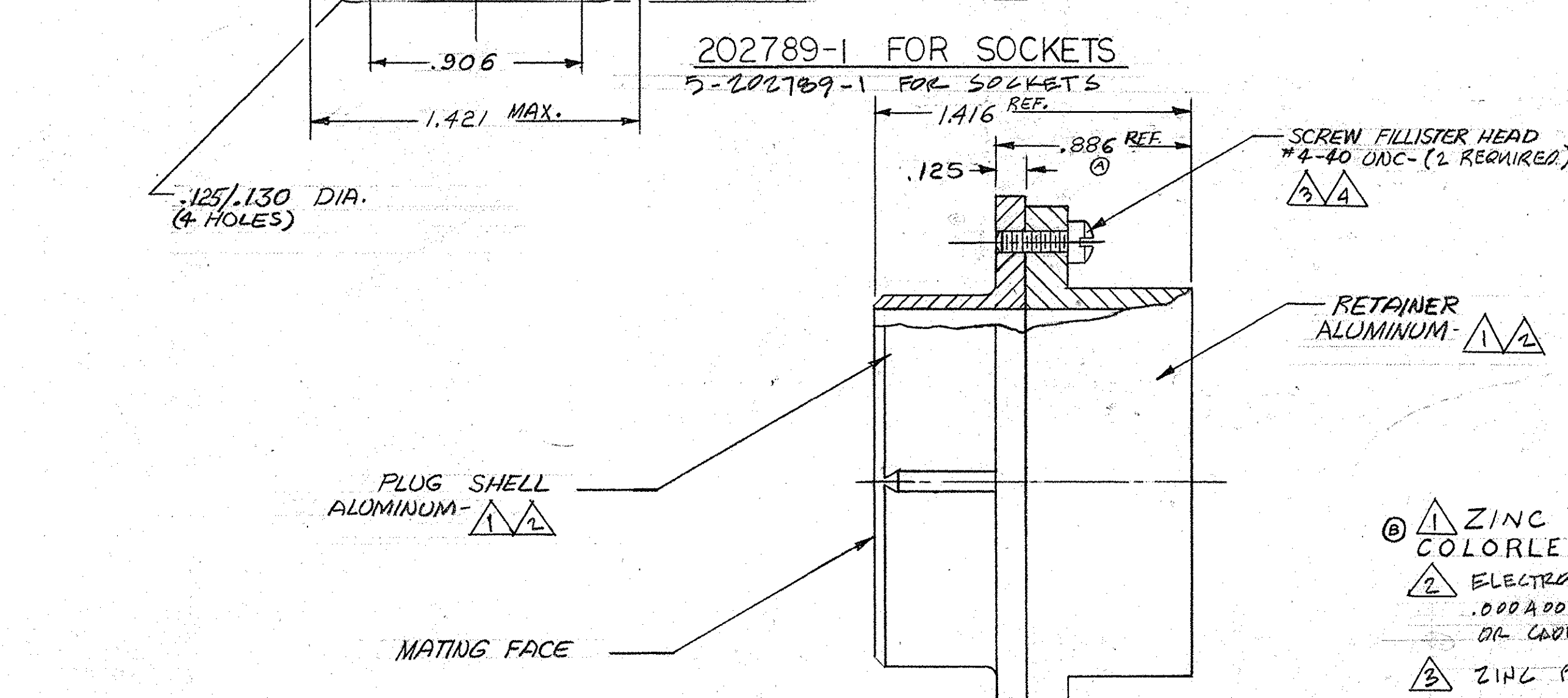
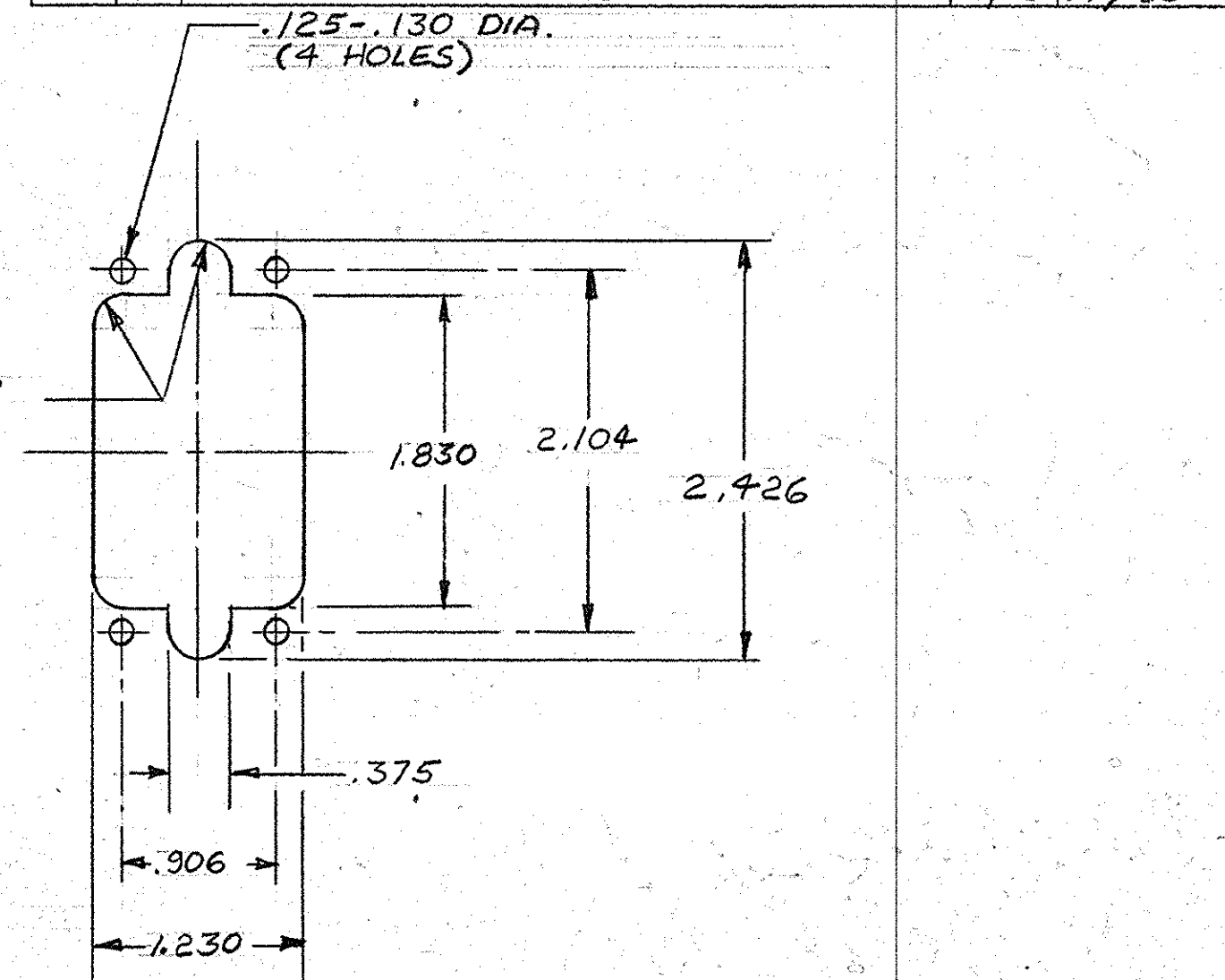
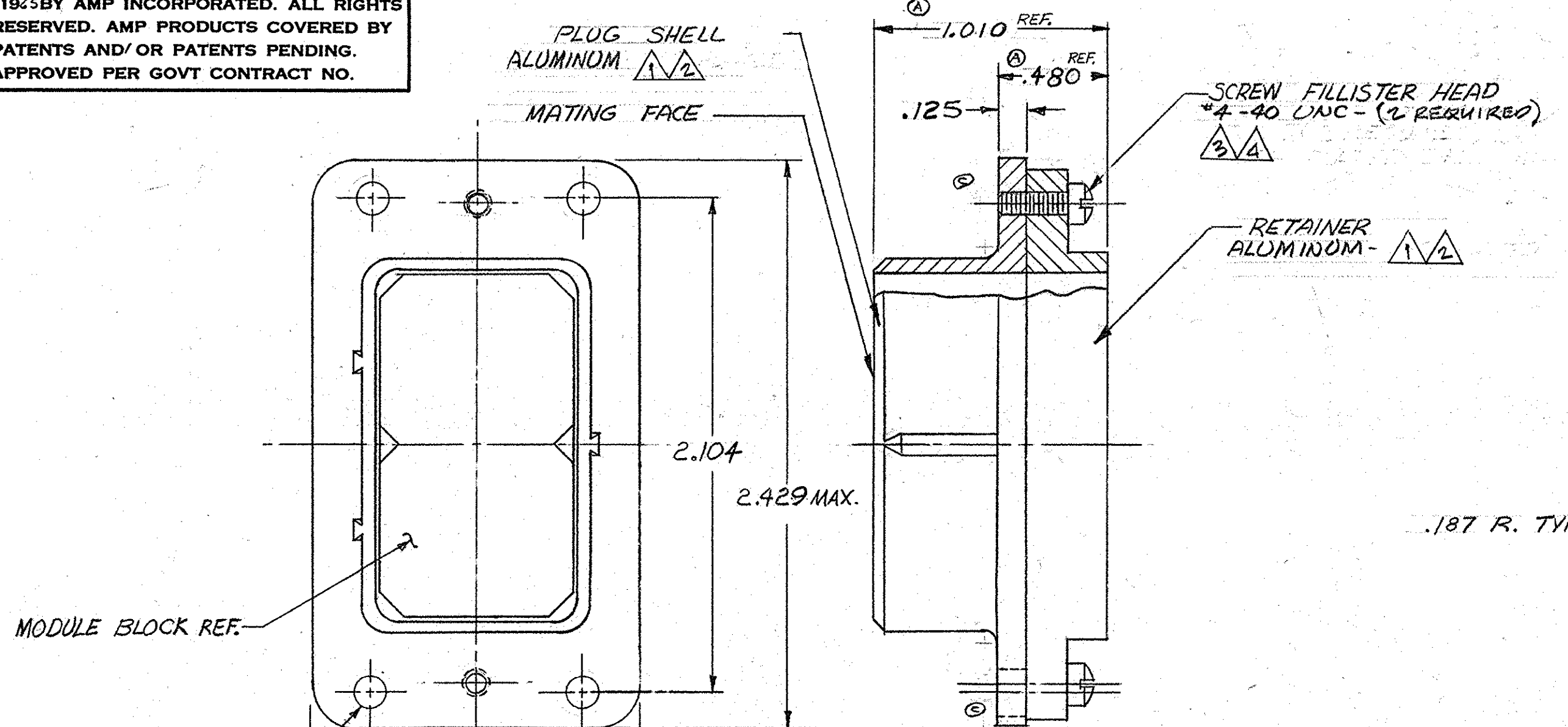
Address: A1208, Overseas Decoration Building, #122 Zhenhua RD., Futian, Shenzhen, China





© 1965 BY AMP INCORPORATED. ALL RIGHTS RESERVED. AMP PRODUCTS COVERED BY PATENTS AND/OR PATENTS PENDING. APPROVED PER GOVT CONTRACT NO.

REVISIONS					
ZONE	LTR	DESCRIPTION	DATE	APPROVED	
A		REVISED	W-777, W-765	10-14-5	M.S. J.H.
B		REVISED	Y-68	1-19-6	M.S. J.H.
C		REVISED SCREW LENGTH PER ECN	Z-15	4/5/67	J.W. B.M.
D		REV. PER ECN D-644		10-6-75	J.W.
E		REV. / ECN H-220		8-14-80	J.W.
F		REV. / ECN R-2305		7-30-86	MPH J.M.I.
G		REV PER ELO-05-001A12		05/05	AD/DE
H		REV PER ECO-05-005359		11/05	PY/DE



- ① ZINC PLATE PER ASTM-B-633 CLASS 3, TYPE II COLORLESS SUPPLEMENTARY CHROMATE.
- ② ELECTROLESS NICKEL PLATE PER SAE-AMS-C-26074 .000 ADD-.000800 THK (NO INTENTIONAL ADDITIONS OF LEAD OR CADMIUM PER SPE STD 230-700).
- ③ ZINC PLATED COLD ROLLED. ④ PASSIVATED STAINLESS STEEL.

202789-2 FOR PINS  
5-202789-2 FOR PINS

②	④	5-202789-2
②	④	5-202789-1
①	③	202789-2
①	③	202789-1

SUPERSEDED BY 5-202789-2  
SUPERSEDED BY 5-202789-1

AMP INFO		QTY REQD	NOMENCLATURE OR DESCRIPTION	PART OR IDENTIFYING NO
LOC	PRINT DIST			
R	39/H			
LIST OF MATERIALS OR PARTS LIST				
UNLESS OTHERWISE SPECIFIED DIMENSIONS ARE IN INCHES TOLERANCES ON		CONTRACT NO		
FRACTIONS	DECIMALS	ANGLES	DR	DATE
± 1/16	± .005	± 1/2	E. Benninger	8-30-65
MATERIAL		CHK		
---		J. Steida		
HEAT TREAT		DSGN ENGR		
---		J. Williams		
FINISH		APPD		
---		F. B. Miller, Jr.		
		DSGN APPD	SIZE	CODE IDENT NO
			C	00779
		OTHER APPD	NUMBER	
			202789	
		SCALE	WT	CALC
		2-1		ACTUAL
				SHEET

AMP INCORPORATED  
HARRISBURG, PENNSYLVANIA

PLUG ASSEMBLY, MODULE  
SERIES "G", (2 BLOCK)

SCALE 2-1  
WT CALC ACTUAL SHEET