



Chipsmall Limited consists of a professional team with an average of over 10 year of expertise in the distribution of electronic components. Based in Hongkong, we have already established firm and mutual-benefit business relationships with customers from,Europe,America and south Asia,supplying obsolete and hard-to-find components to meet their specific needs.

With the principle of "Quality Parts,Customers Priority,Honest Operation,and Considerate Service",our business mainly focus on the distribution of electronic components. Line cards we deal with include Microchip,ALPS,ROHM,Xilinx,Pulse,ON,Everlight and Freescale. Main products comprise IC,Modules,Potentiometer,IC Socket,Relay,Connector.Our parts cover such applications as commercial,industrial, and automotives areas.

We are looking forward to setting up business relationship with you and hope to provide you with the best service and solution. Let us make a better world for our industry!



Contact us

Tel: +86-755-8981 8866 Fax: +86-755-8427 6832

Email & Skype: info@chipsmall.com Web: www.chipsmall.com

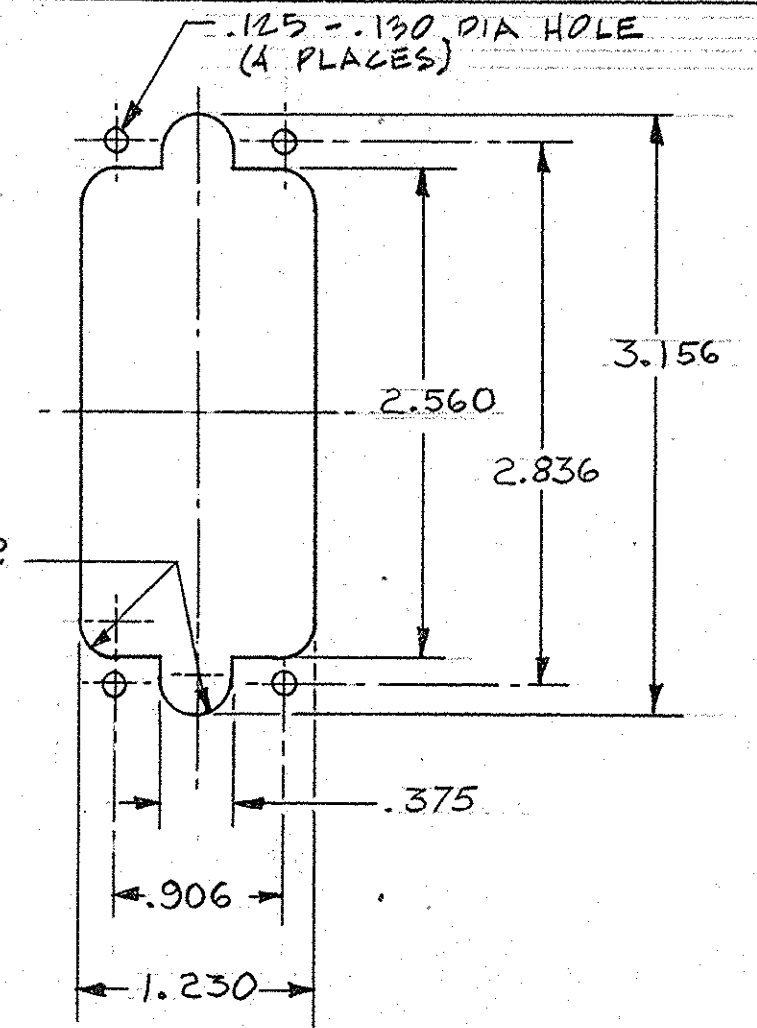
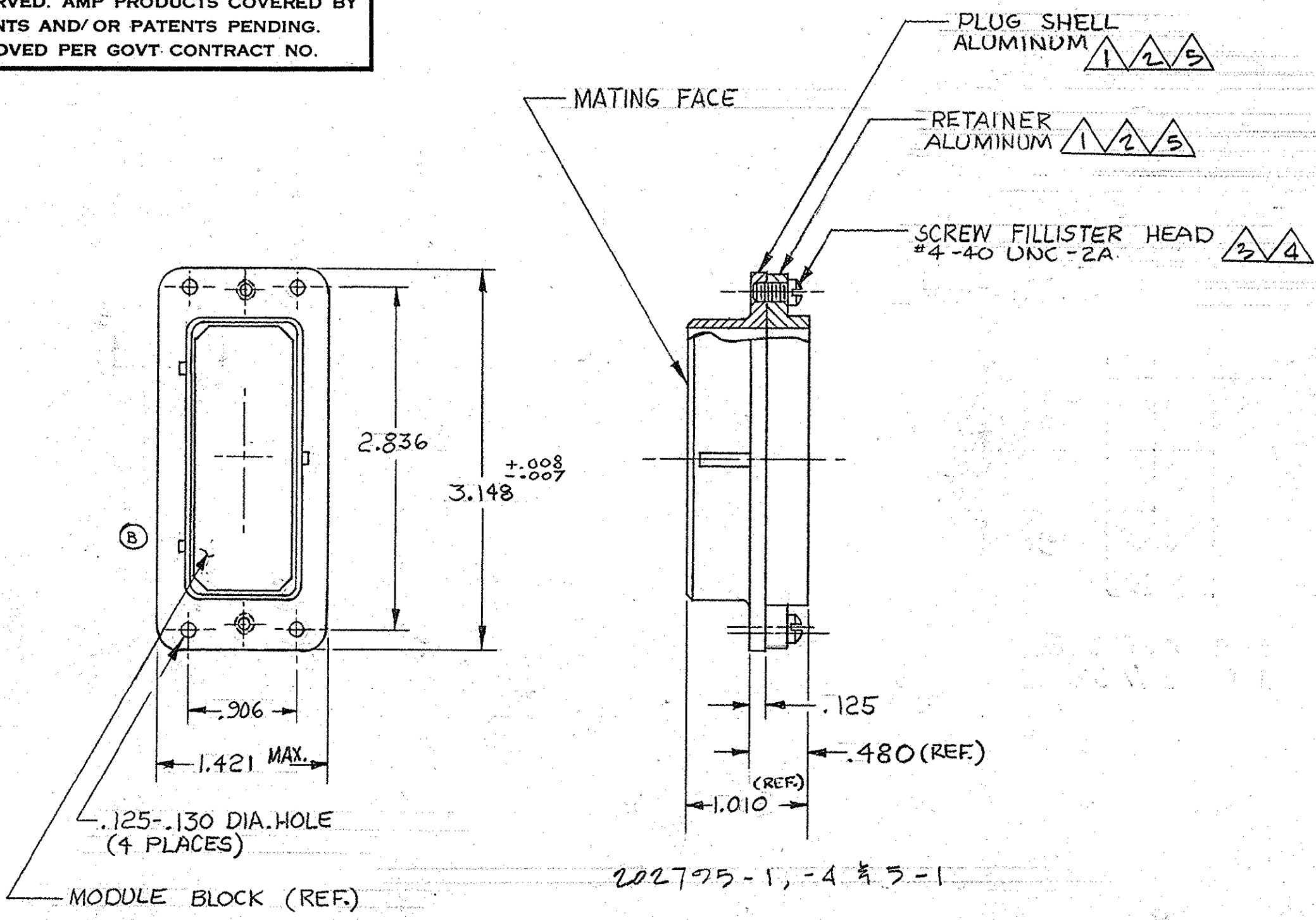
Address: A1208, Overseas Decoration Building, #122 Zhenhua RD., Futian, Shenzhen, China



© 1965 BY AMP INCORPORATED. ALL RIGHTS RESERVED. AMP PRODUCTS COVERED BY PATENTS AND/OR PATENTS PENDING. APPROVED PER GOVT CONTRACT NO.

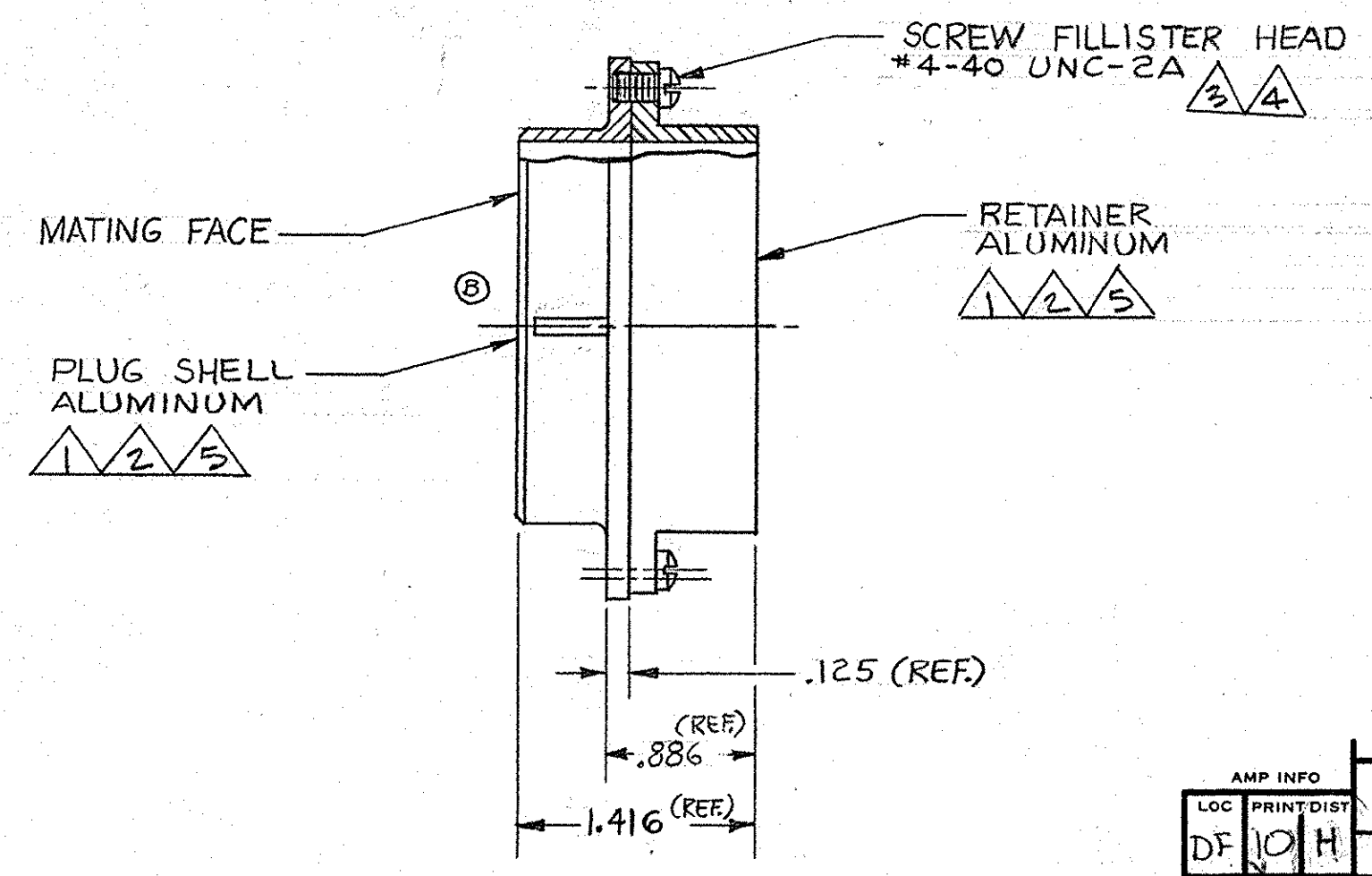
NUMBER 202795

REVISIONS				
SYM	ZONE	DESCRIPTION	DATE	APPROVAL
A		REVISED	Y-68	1-19-66 m.s. J.H.
B		REVISED	Y-296	3-22-66 m.s. J.H.
C		REV PER ECN D-644		10-6-75
D		ADDED -3 PER ECN H-373		11-5-80 ESE JH
E		REV. / ECN R-2305		7-20-86 MPH gmf
F		OBSOLETE -3 PER ECN R-2604		2-23-87 SDG JLB
F1		ADDED -4 PER ECN DF-0026	OCT	10-2-87 JW
G		REV PER ECU-05-001A12	AA	05/05 DR
H		REV PER ECO-05-005359		11/05 PY/DE



PANEL CUTOUT
SCALE: 1-1

- ① ZINC PLATE PER ASTM-B-633 TYPE II .000200-.000400 THK CLASS 3 COLORLESS SUPPLEMENTARY CHROMATE.
- ② ELECTROLESS NICKEL PLATE PER SAE-AMS-C-2607A .000400-.000800 THK (NO INTENTIONAL ADDITIONS OF LEAD OR CADMIUM PER DFE STANDARD 230-700).
- ③ ZINC PLATED COLD ROLLED STEEL.
- ④ PASSIVATED STAINLESS STEEL.
- ⑤ CADMIUM PLATE PER QQ-P-416 .000200-.000400 THK.



202795-2, -3 & 5-2

5-202795-2	FOR PINS	② ④	
5-202795-1	FOR SOCKETS	② ④	
202795-4	FOR SOCKETS	① ⑤	
202795-3	FOR PINS	① ③	OBSOLETE
202795-2	FOR PINS	① ③	SUPERSEDED BY 5-202795-2
202795-1	FOR SOCKETS	① ③	SUPERSEDED BY 5-202795-1
PART NO.	ASSY TYPE	FINISH	

AMP INFO		QTY REQD	NOMENCLATURE OR DESCRIPTION	PART OR IDENTIFYING NO		
LOC	PRINT/DIST					
DF	10/H					
LIST OF MATERIALS OR PARTS LIST						
UNLESS OTHERWISE SPECIFIED DIMENSIONS ARE IN INCHES TOLERANCES ON			SIGNATURE		DATE	
FRACTIONS	DECIMALS	ANGLES	E. Benninger		10-12-65	
±	±	±	S. Steide		11-9-65	
			DSGN ENGR		11-9-65	
			APPR		11-9-65	
HEAT TREAT			DSGN APPD		CODE IDENT NO	
—					00779	
FINISH			OTHER APPD		SIZE NUMBER	
SEE CALL OUT					D 202795	
				SCALE		WT CALC ACTUAL SHEET
				1-1		

AMP HARRISBURG, PENNSYLVANIA

NAME: **PLUG ASSEMBLY, MODULE SERIES "G" (3 BLOCKS)**

SCALE: 1-1