



Chipsmall Limited consists of a professional team with an average of over 10 year of expertise in the distribution of electronic components. Based in Hongkong, we have already established firm and mutual-benefit business relationships with customers from,Europe,America and south Asia,supplying obsolete and hard-to-find components to meet their specific needs.

With the principle of “Quality Parts,Customers Priority,Honest Operation,and Considerate Service”,our business mainly focus on the distribution of electronic components. Line cards we deal with include Microchip,ALPS,ROHM,Xilinx,Pulse,ON,Everlight and Freescale. Main products comprise IC,Modules,Potentiometer,IC Socket,Relay,Connector.Our parts cover such applications as commercial,industrial, and automotives areas.

We are looking forward to setting up business relationship with you and hope to provide you with the best service and solution. Let us make a better world for our industry!



Contact us

Tel: +86-755-8981 8866 Fax: +86-755-8427 6832

Email & Skype: info@chipsmall.com Web: www.chipsmall.com

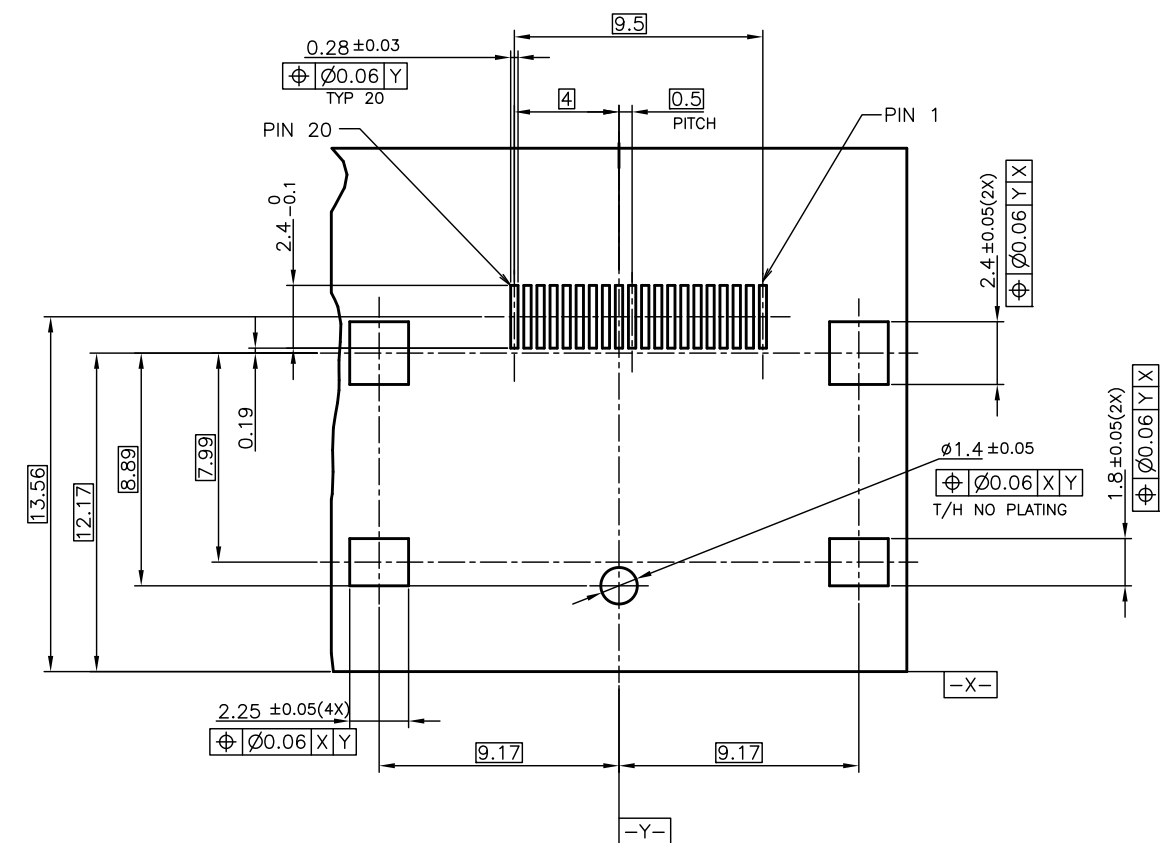
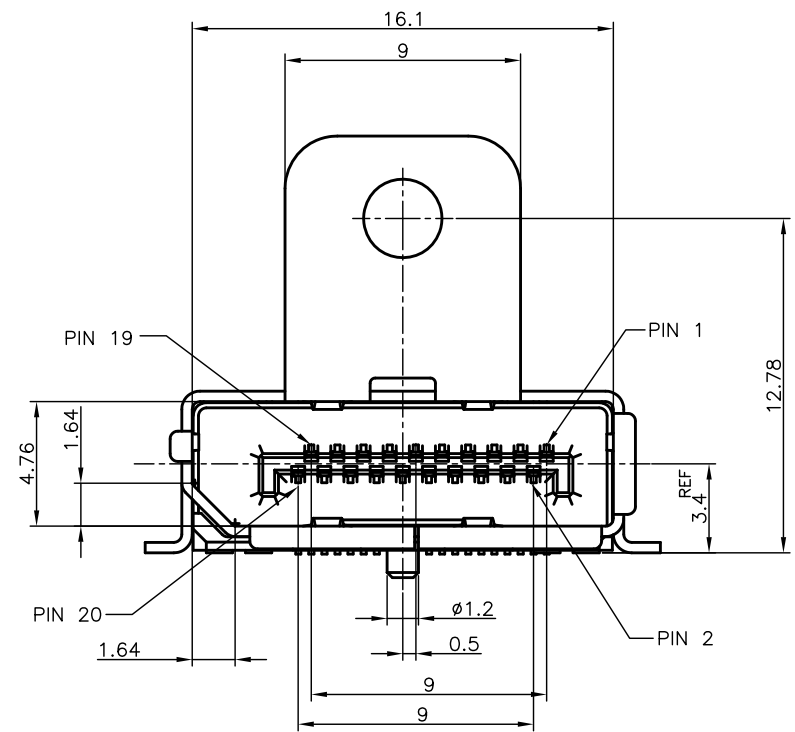
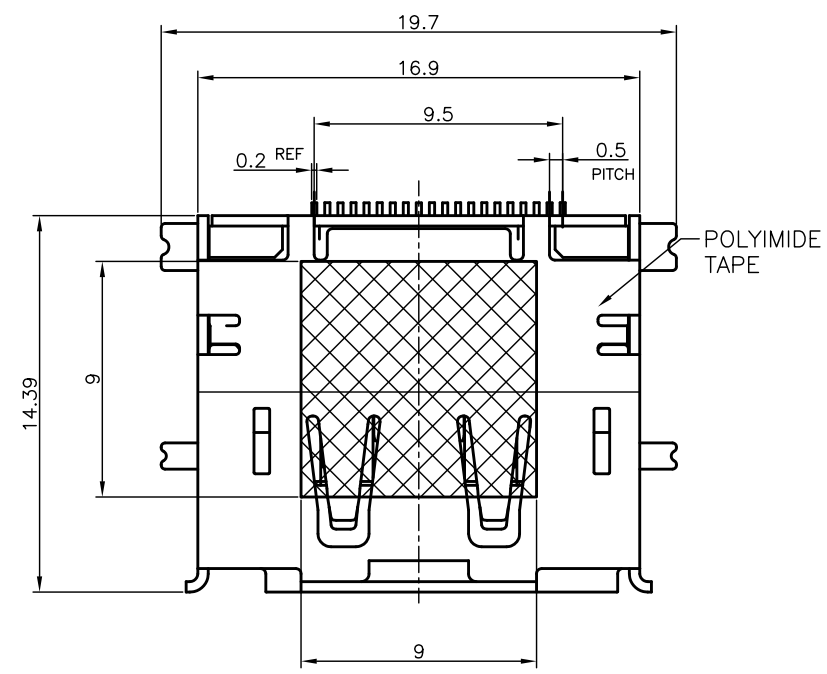
Address: A1208, Overseas Decoration Building, #122 Zhenhua RD., Futian, Shenzhen, China



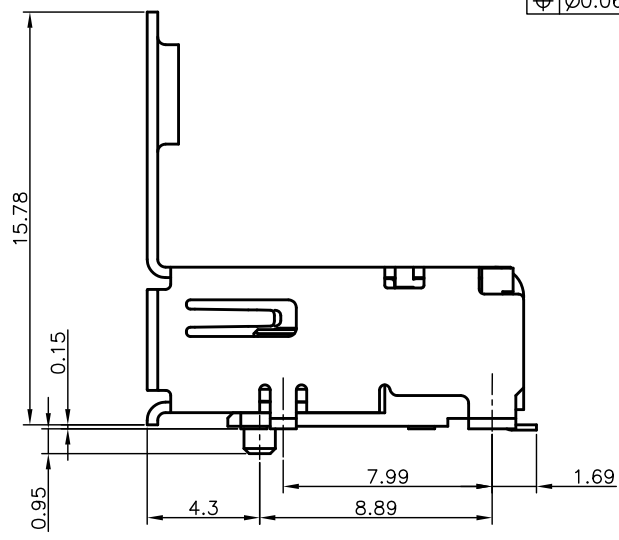
THIS DRAWING IS UNPUBLISHED. RELEASED FOR PUBLICATION JUL. 2008.
 © COPYRIGHT 2008 BY TYCO ELECTRONICS CORPORATION. ALL RIGHTS RESERVED.

LOC	DIST	REVISED (ECR-09-027891)			DATE	DWN	APVD
DW		P	LTR	DESCRIPTION	14JAN2010	V.P.	H.K

P/N:5-2040247-5; AS SHOWN



RECOMMENDED PCB LAYOUT MOUNTING SIDE

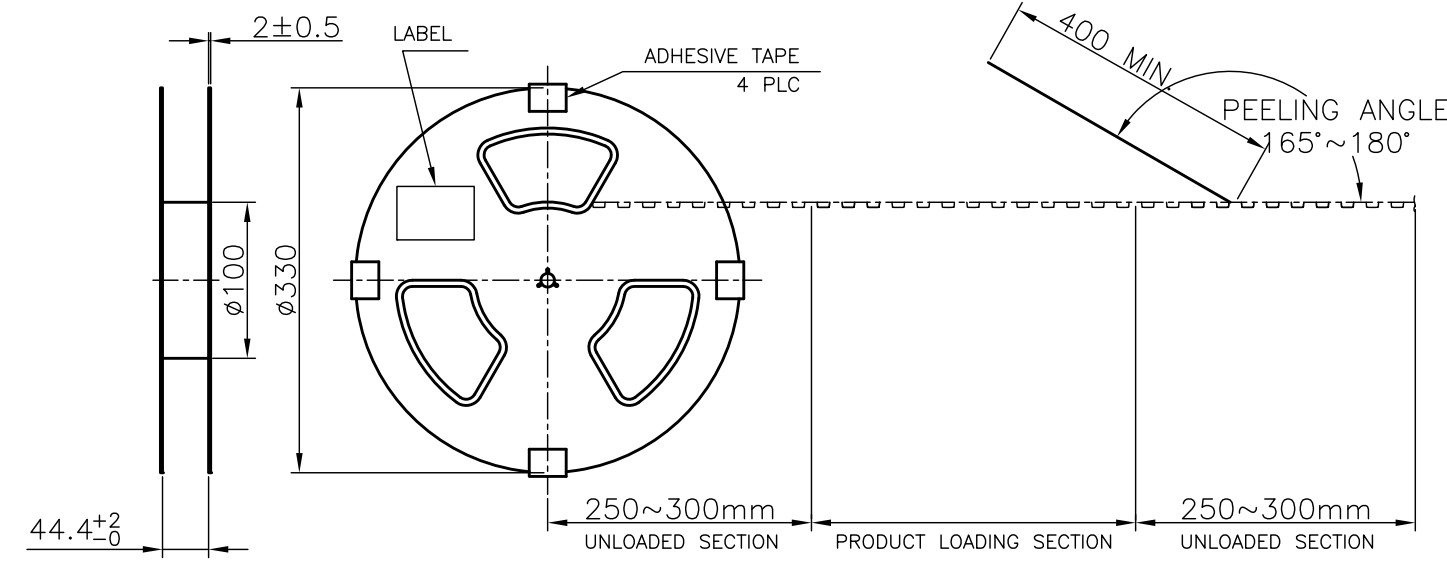


- △ MATERIAL:
HOUSING: HIGH TEMPERATURE THERMAL PLASTIC, BLACK, UL94V-0
CONTACT: COPPER ALLOY
SHELL: COPPER ALLOY
- △ FINISH:
CONTACT: CONTACT AREA: 0.76 MINIMUM MICRON GOLD PLATING OVER
1.27 MINIMUM MICRON NICKEL PLATING ALL
SOLDER TAIL AREA: 2.54 MINIMUM MICRON MATTE TIN PLATING.
SHELL: MATTE TIN PLATING.
- 3 THIS PRODUCT IS PACKED IN REEL.
- 4 HALOGEN FREE.

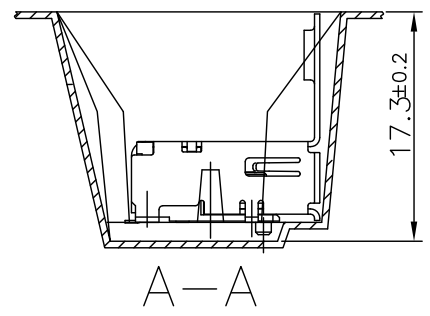
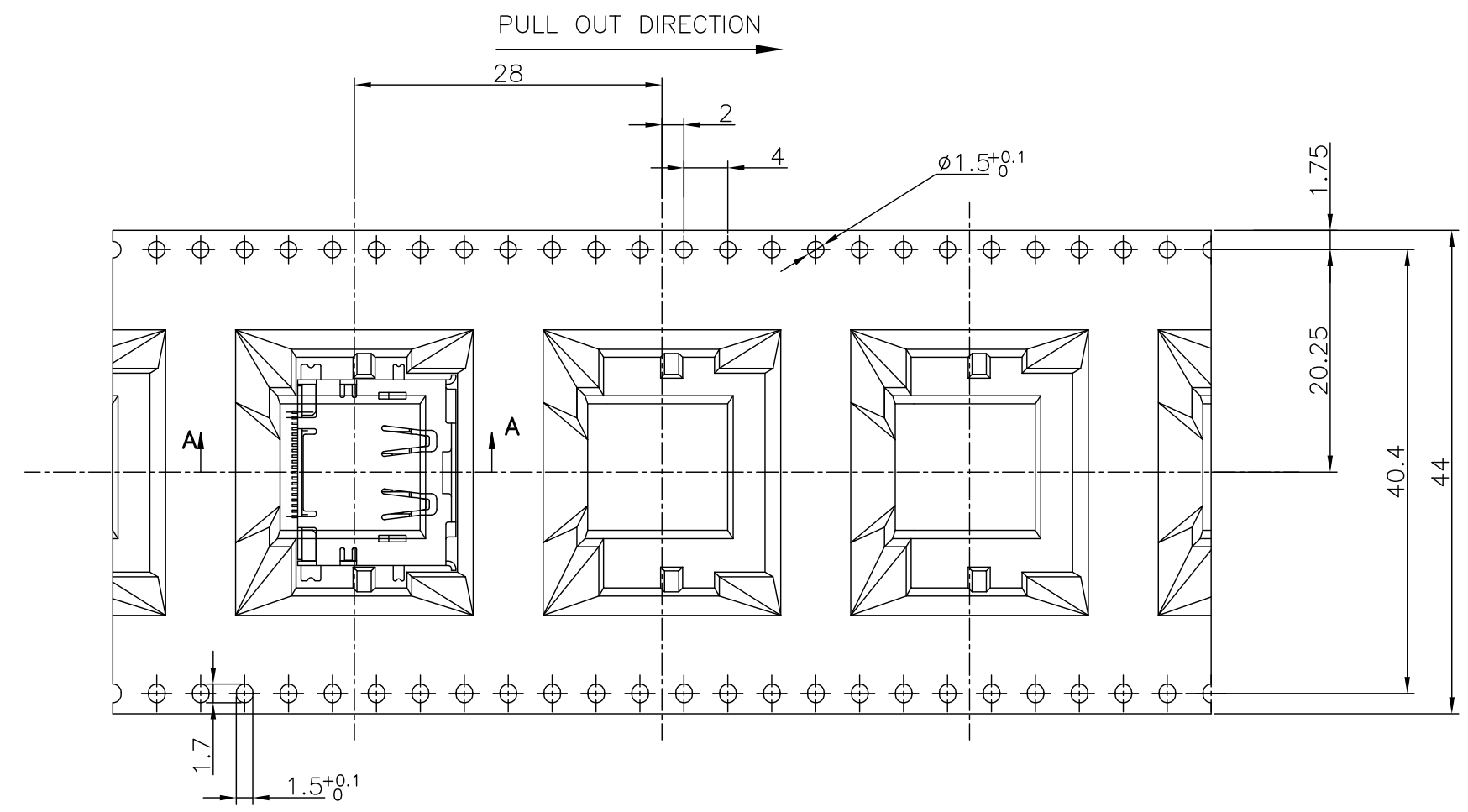
WITH	5-2040247-5
WITHOUT	2040247-5
POLYIMIDE TAPE	PART NUMBER

THIS DRAWING IS A CONTROLLED DOCUMENT.		DWN	Y.HIRATA	15FEB2008	Tyco Electronics Corporation Kawasaki, Japan
DIMENSIONS: 単位: 珪 mm		CHK	T.KUSUHARA	15FEB2008	
TOLERANCES UNLESS OTHERWISE SPECIFIED: 一般公差		APVD	T.KUSUHARA	15FEB2008	NAME 名称
0 PLC ± 0.3 1 PLC ± 0.3 2 PLC ± 0.3 3 PLC ± 0.3 4 PLC ± 0.3 ANGLES ± 2°		PRODUCT SPEC 製品規格 108-78515		RECEPTACLE ASSEMBLY DISPLAYPORT RA SMT STD SMT-LEG WITH FLANGE	
MATERIAL 材料		FINISH 仕上		WEIGHT 2.82g	SIZE A2 CAGE CODE 00779 DRAWING NO. 2040247
△		△		CUSTOMER DRAWING SCALE 5:1 SHEET 1 of 3 REV D	

LOC	DIST	REVISIONS		
DW		P	LTR	DESCRIPTION
				DATE
				DWN
				APVD
				—
				—
				—



PCAKING FOR 2040247-5



THIS DRAWING IS A CONTROLLED DOCUMENT.		DWN	Tyco Electronics Corporation Kawasaki, Japan	
DIMENSIONS: 単位: 珎 mm		CHK	NAME 名稱	
TOLERANCES UNLESS OTHERWISE SPECIFIED: 一般公差		APVD	RECEPTACLE ASSEMBLY DISPLAYPORT RA SMT STD SMT-LEG WITH FLANGE	
0 PLC ± 0.3		PRODUCT SPEC	SIZE	CAGE CODE
1 PLC ± 0.3		製品規格	A2	00779
2 PLC ± 0.3		APPLICATION SPEC	DRAWING NO	2040247
3 PLC ± 0.3		取付適用規格	SCALE	SHEET
4 PLC ± 0.3		FINISH	NTS	2 of 3
ANGLES ± 2°		WEIGHT	CUSTOMER DRAWING	REV D
MATERIAL 材料	FINISH 仕上	RESTRICTED TO		

2040247

4

3

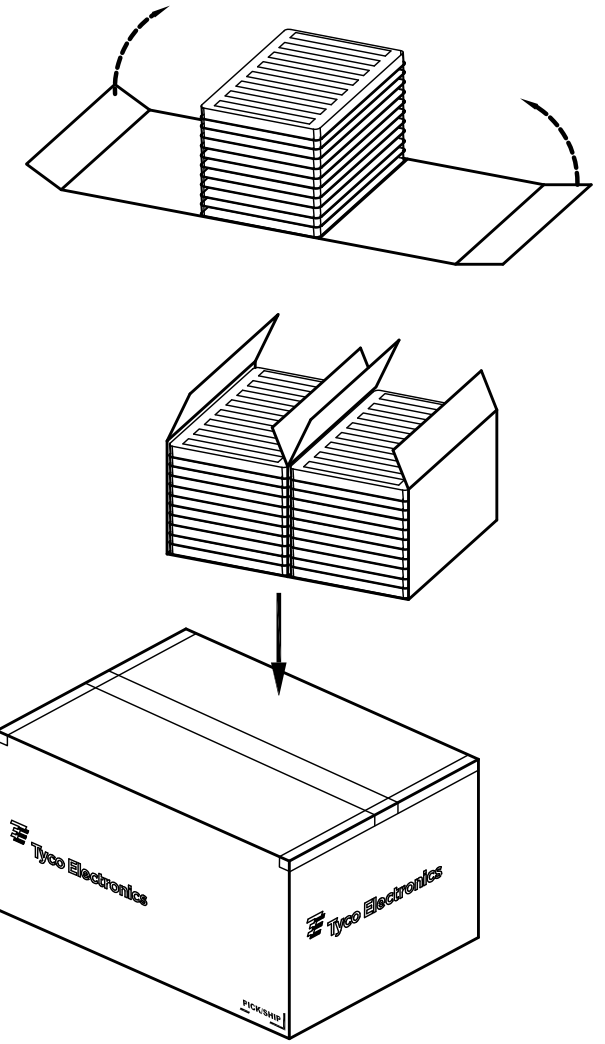
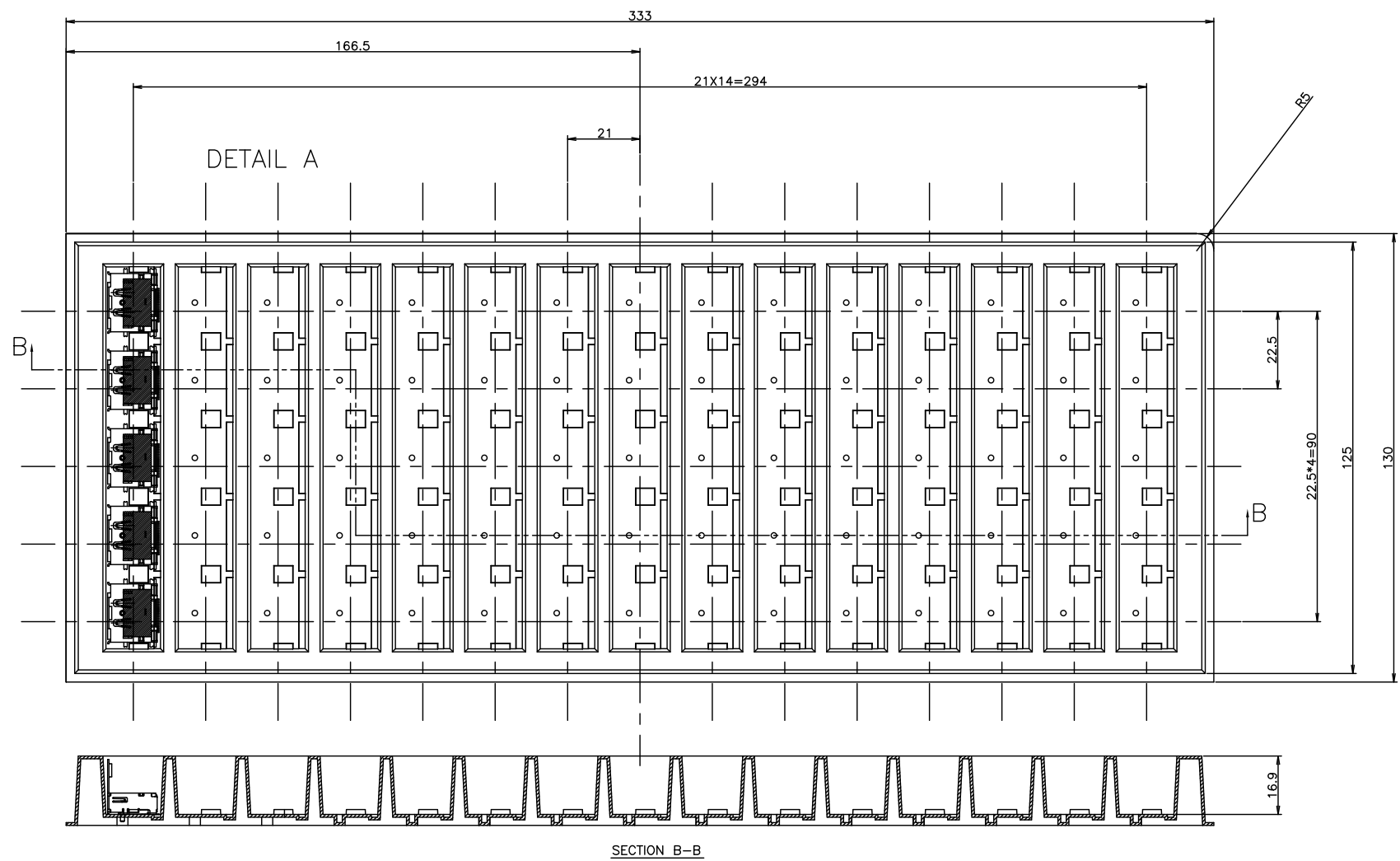
2

1

THIS DRAWING IS UNPUBLISHED. RELEASED FOR PUBLICATION JUL., 2008.
 © COPYRIGHT 2008 BY TYCO ELECTRONICS CORPORATION. ALL RIGHTS RESERVED.

LOC	DIST	REVISIONS			DATE	DWN	APVD
DW		P	LTR	DESCRIPTION			
		-	-	SEE SHEET 1	-	-	-

PACKING FOR 5-2040247-5



- 1. PACKING MATERIAL :
 - 1.1 TRAY: PS
 - 1.2 SHIPPING CARTON: CORRUGATED FIBER
- 2. QUANTITY :
 - 2.1 PRIMARY PACKING: 75 PCS/TRAY
 - 2.2 SECONDARY PACKING: 20 TRAY (1500 PCS)/BOX

THIS DRAWING IS A CONTROLLED DOCUMENT.		DWN	16FEB2008		Tyco Electronics Corporation Kawasaki, Japan	
DIMENSIONS: 単位: 珪 mm		CHK			NAME 名称	
TOLERANCES UNLESS OTHERWISE SPECIFIED: 一般公差		APVD			RECEPTACLE ASSEMBLY DISPLAYPORT RA SMT STD SMT-LEG WITH FLANGE	
0 PLC ± 0.3		PRODUCT SPEC			SIZE	CAGE CODE
1 PLC ± 0.3		APPLICATION SPEC			A2	00779
2 PLC ± 0.3		取付通用規格			DRAWING NO 図号	
3 PLC ± 0.3		WEIGHT			2040247	
4 PLC ± 0.3		CUSTOMER DRAWING			SCALE	SHEET
ANGLES ± 2°					NTS	3 of 3
FINISH 位上					REV	D

2040247