



Chipsmall Limited consists of a professional team with an average of over 10 year of expertise in the distribution of electronic components. Based in Hongkong, we have already established firm and mutual-benefit business relationships with customers from,Europe,America and south Asia,supplying obsolete and hard-to-find components to meet their specific needs.

With the principle of "Quality Parts,Customers Priority,Honest Operation,and Considerate Service",our business mainly focus on the distribution of electronic components. Line cards we deal with include Microchip,ALPS,ROHM,Xilinx,Pulse,ON,Everlight and Freescale. Main products comprise IC,Modules,Potentiometer,IC Socket,Relay,Connector.Our parts cover such applications as commercial,industrial, and automotives areas.

We are looking forward to setting up business relationship with you and hope to provide you with the best service and solution. Let us make a better world for our industry!



Contact us

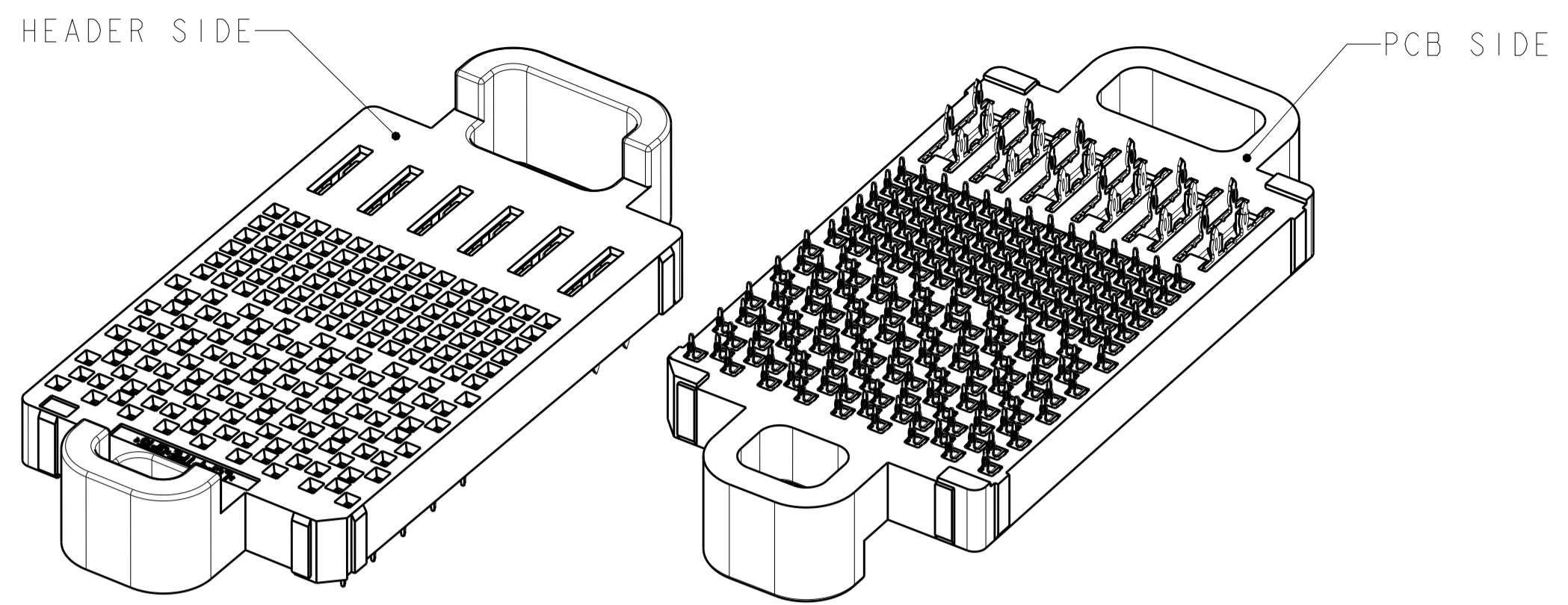
Tel: +86-755-8981 8866 Fax: +86-755-8427 6832

Email & Skype: info@chipsmall.com Web: www.chipsmall.com

Address: A1208, Overseas Decoration Building, #122 Zhenhua RD., Futian, Shenzhen, China

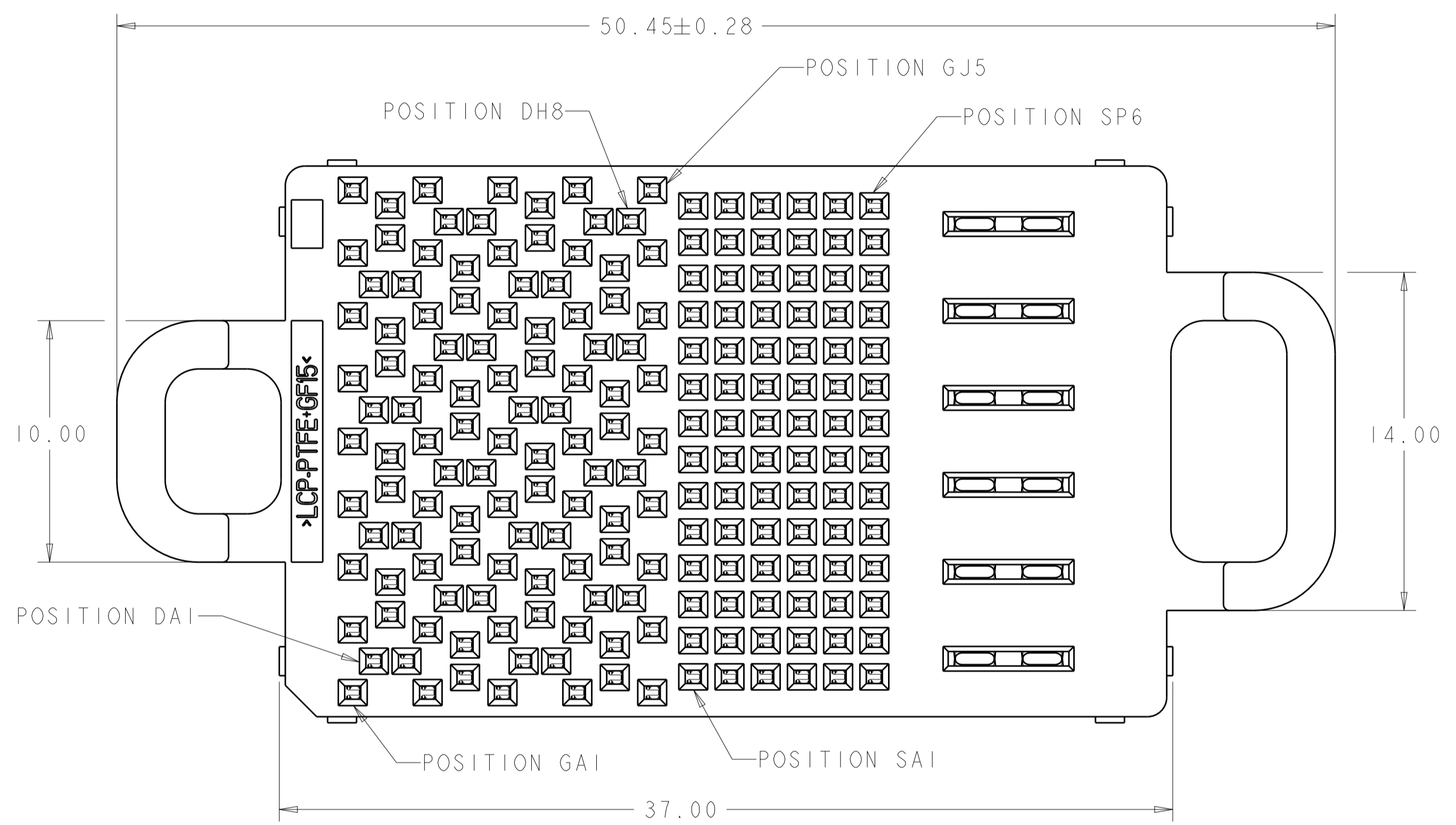


LOC	DIST	REVISIONS					
GP	00	P	LTN	DESCRIPTION	DATE	DWN	APVD
		A		REVISED ECO-12-014165	27AUG2012	KH	MH



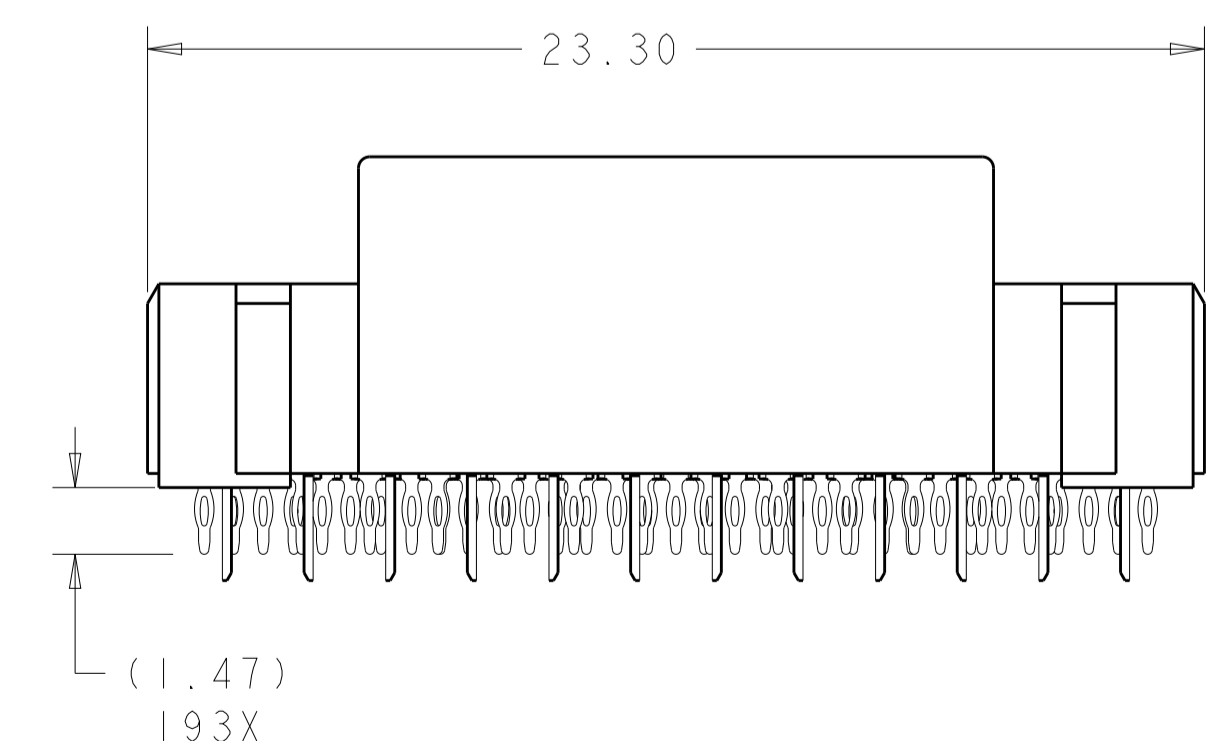
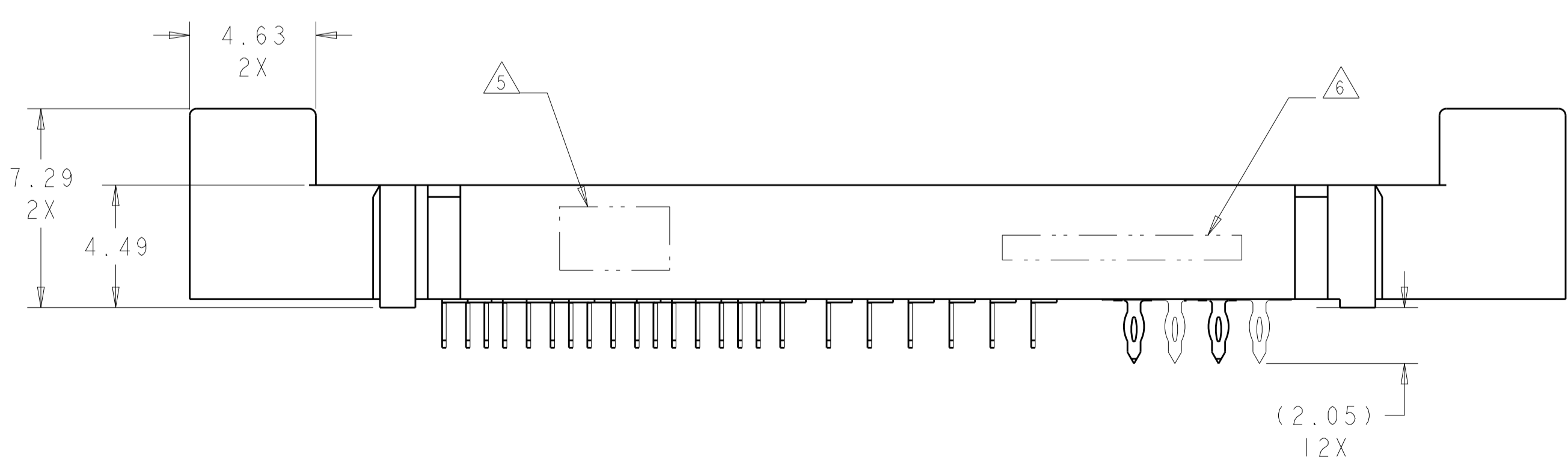
ISOMETRIC VIEWS
SCALE 3:1

- △ MATERIAL:
HOUSING: THERMOPLASTIC, FLAMMABILITY RATING UL94-V0
CONTACT: COPPER ALLOY
- 2. CONFORMS TO THE REQUIREMENTS OF TE PRODUCT SPECIFICATION, 108-2375; BASED ON TELCORDIA GR-1217-CORE FOR SYSTEM QUALITY LEVEL III, APPLICATIONS IN CONTROLLED ENVIRONMENTS (CENTRAL OFFICE).
SEE TE PRODUCT SPECIFICATION 108-2375 FOR TEST SEQUENCES.
- △ ROWS GA THRU GJ (SHOWN DARKENED) ARE TYPICALLY USED AS GROUNDS.
- △ SPECIFIED POSITIONAL TOLERANCE DEFINES HOLE TO HOLE LOCATION WITHIN HOLE PATTERN. POSITIONAL TOLERANCE OF HOLE PATTERN TO FIDUCIAL MARKS OR PCB DATUMS SHALL BE DEFINED BY CUSTOMER.
- △ AREA RESERVED FOR TE CONNECTIVITY LOGO.
- △ AREA RESERVED FOR PART NUMBER (X-XXXXXXX-X) AND DATE CODE (YYWW).
- △ USE CENTERLINES INDICATED ON PCB HOLE PATTERN TO ESTABLISH ALIGNMENT BETWEEN HEADER AND RECEPTACLE BOARDS.
- △ PLATED THROUGH HOLE REQUIREMENTS - SIGNAL:
HOLE SIZE PRIOR TO PLATING = $\varnothing 0.420 \pm 0.013$
COPPER PLATING THICKNESS = 0.038 ± 0.013
CALCULATED FINISHED HOLE SIZE = $\varnothing 0.344 \pm 0.039$
THESE DIMENSIONS APPLY TO THE TOP 1.25mm OF THE PCB THICKNESS FROM THE CONNECTOR MOUNTING SIDE.
- △ PLATED THROUGH HOLE REQUIREMENTS - POWER:
HOLE SIZE PRIOR TO PLATING = $\varnothing 0.700 \pm 0.025$
COPPER PLATING THICKNESS = 0.038 ± 0.013
CALCULATED FINISHED HOLE SIZE = $\varnothing 0.624 \pm 0.051$
THESE DIMENSIONS APPLY TO THE TOP 1.50mm OF THE PCB THICKNESS FROM THE CONNECTOR MOUNTING SIDE.



SIZE 2 HOUSING W/ GUIDE POSTS *
32 DIFFERENTIAL PAIRS
84 HIGH-DENSITY GRID
193 TOTAL SIGNAL CONTACTS
6 POWER CONTACTS

* SIZE 1 AND SIZE 3 ARE ALSO AVAILABLE

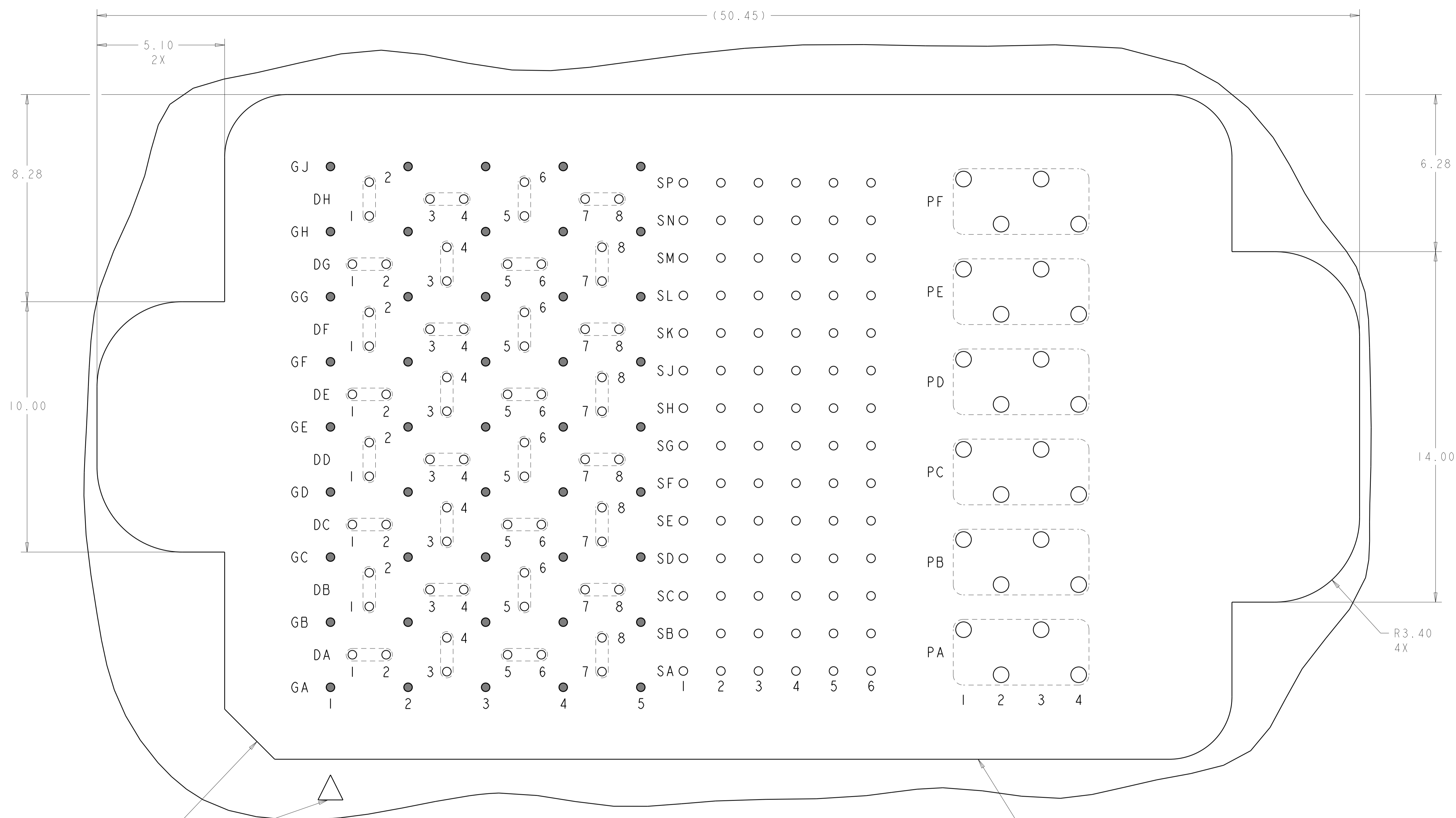


THIS PRODUCT HAS NOT COMPLETED VALIDATION AND QUALIFICATION TESTING

YES	MATTE Sn	5-2057471-1
	Sn/Pb	2057471-1
TOOLED	CONTACT TAIL PLATING	PART NUMBER
STE TE Connectivity		
NAME: RECEPTACLE ASSEMBLY 32/84/6P		
PRODUCT SPEC: 108-2375		
APPLICATION SPEC: 114-13249		
SIZE: A100779		
CAGE CODE: C=2057471		
DRAWING NO: 5-2057471-1		
RESTRICTED TO: -		
CUSTOMER DRAWING		
SCALE: 6:1 SHEET 1 OF 3 REV A		

THIS DRAWING IS A CONTROLLED DOCUMENT.		DWN: D. RINGLER 05SEP2008
DIMENSIONS: mm		CHK: D. TROUT 05SEP2008
TOLERANCES UNLESS OTHERWISE SPECIFIED:		APVD: J. FEEDER 05SEP2008
0 PLC	±	PRODUCT SPEC
2 PLC	±0.13	APPLICATION SPEC
3 PLC	±0.013	FINISH
4 PLC	±	ANGLES
ANGLES	±	
MATERIAL		


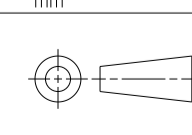
LOC	DIST	REVISIONS			
P	LTN	DESCRIPTION	DATE	DWN	APVD
-	-	SEE SHEET 1	-	-	-



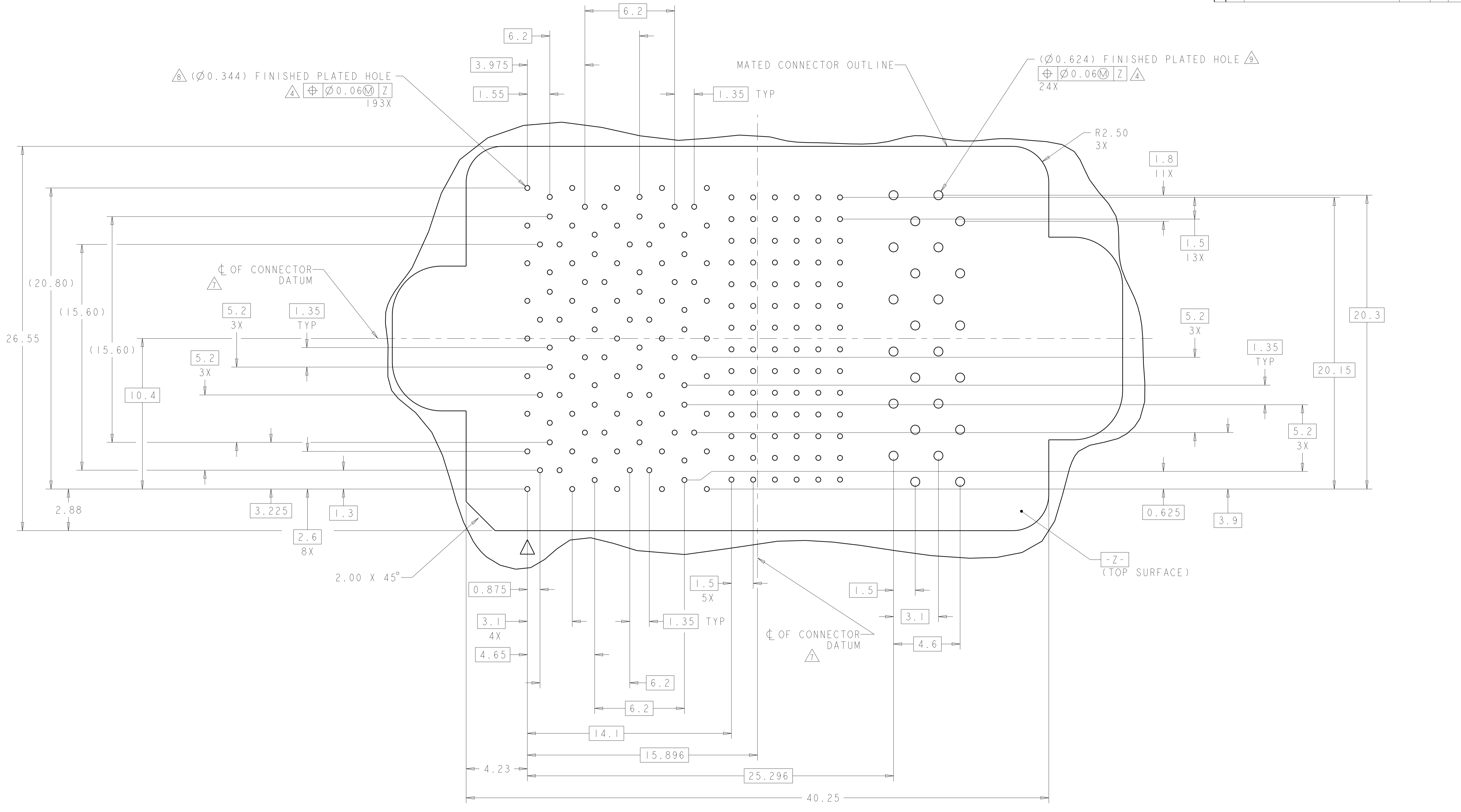
A1 CORNER INDICATORS.

PCB LAYOUT AND PIN IDENTIFICATION 
 SHOWN FROM COMPONENT SIDE
 SCALE 12:1

MATED CONNECTOR OUTLINE
 SEE SHEET 3 FOR LOCATION TO HOLES

THIS DRAWING IS A CONTROLLED DOCUMENT.		DWN D. RINGLER 05SEP2008	 TE Connectivity
DIMENSIONS:		CHK D. TROUT 05SEP2008	
mm	TOLERANCES UNLESS OTHERWISE SPECIFIED:	APVD J. FEDDER 05SEP2008	NAME RECEPTACLE ASSEMBLY 32/84/6P STRADA MESA MEZZANINE CONNECTOR
	0 PLC ± 1 PLC ± 2 PLC ±0.13 3 PLC ±0.013 4 PLC ± ANGLES ±1	PRODUCT SPEC 108-2375 APPLICATION SPEC 114-13249	SIZE A100779C=2057471
MATERIAL	FINISH	WEIGHT	RESTRICTED TO
CUSTOMER DRAWING		SCALE 6:1	SHEET 2 OF 3 REV A

LOC		DIST		REVISIONS			
GP	00	P	LTN	DESCRIPTION	DATE	DWN	APVD
		-		SEE SHEET 1			



PCB HOLE PATTERN
 SHOWN FROM CONNECTOR SIDE
 SCALE 8:1

THIS DRAWING IS A CONTROLLED DOCUMENT.		DWN: D. RINGLER 05SEP2008	TE Connectivity
DIMENSIONS: mm		CHK: D. TROUT 05SEP2008	
TOLERANCES UNLESS OTHERWISE SPECIFIED:		APVD: J. FEEDER 05SEP2008	NAME: RECEPTACLE ASSEMBLY
0 PLC	±	PRODUCT SPEC	32/84/6P
2 PLC	±0.13	APPLICATION SPEC	STRADA MESA MEZZANINE CONNECTOR
3 PLC	±0.013	SIZE: 114-13249	RESTRICTED TO
4 PLC	±	WEIGHT: -	A100779C=2057471
ANGLES	±1	CUSTOMER DRAWING	SCALE: 6:1 SHEET 3 OF 3 REV A