



Chipsmall Limited consists of a professional team with an average of over 10 year of expertise in the distribution of electronic components. Based in Hongkong, we have already established firm and mutual-benefit business relationships with customers from,Europe,America and south Asia,supplying obsolete and hard-to-find components to meet their specific needs.

With the principle of “Quality Parts,Customers Priority,Honest Operation,and Considerate Service”,our business mainly focus on the distribution of electronic components. Line cards we deal with include Microchip,ALPS,ROHM,Xilinx,Pulse,ON,Everlight and Freescale. Main products comprise IC,Modules,Potentiometer,IC Socket,Relay,Connector.Our parts cover such applications as commercial,industrial, and automotives areas.

We are looking forward to setting up business relationship with you and hope to provide you with the best service and solution. Let us make a better world for our industry!



Contact us

Tel: +86-755-8981 8866 Fax: +86-755-8427 6832

Email & Skype: info@chipsmall.com Web: www.chipsmall.com

Address: A1208, Overseas Decoration Building, #122 Zhenhua RD., Futian, Shenzhen, China



THIS DRAWING IS UNPUBLISHED. RELEASED FOR PUBLICATION

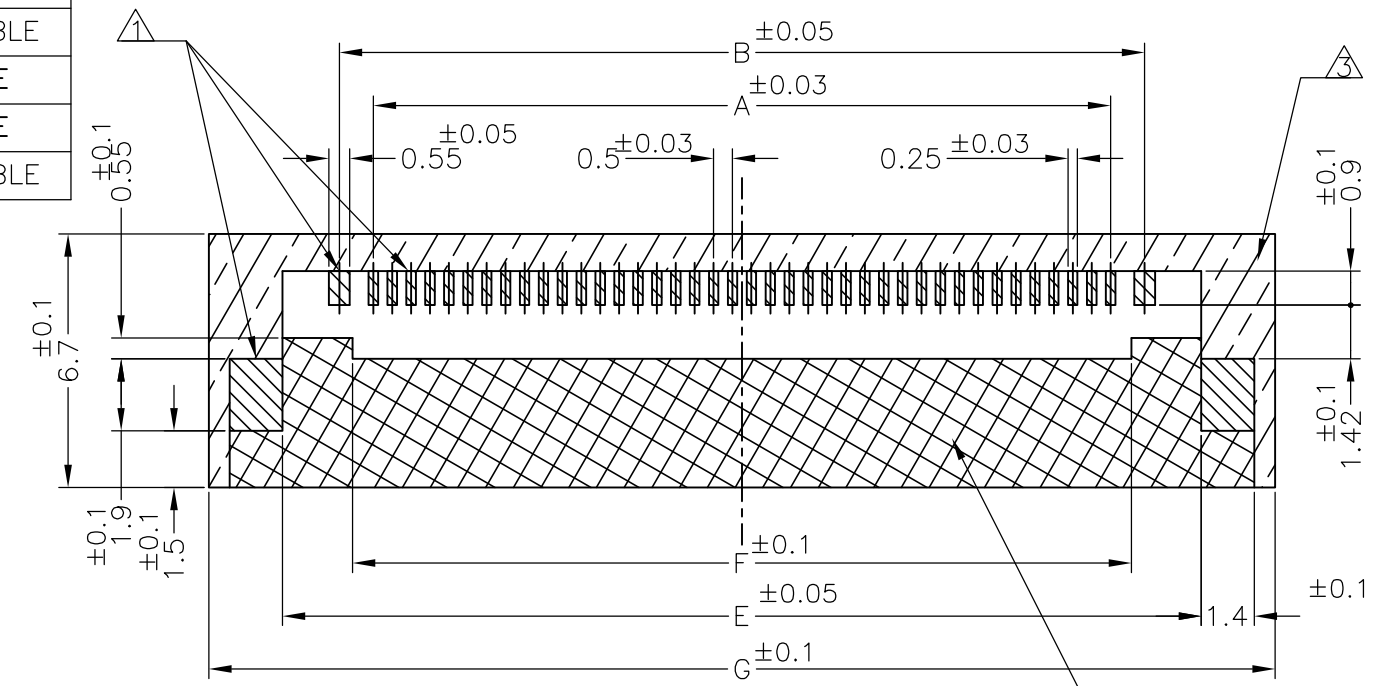
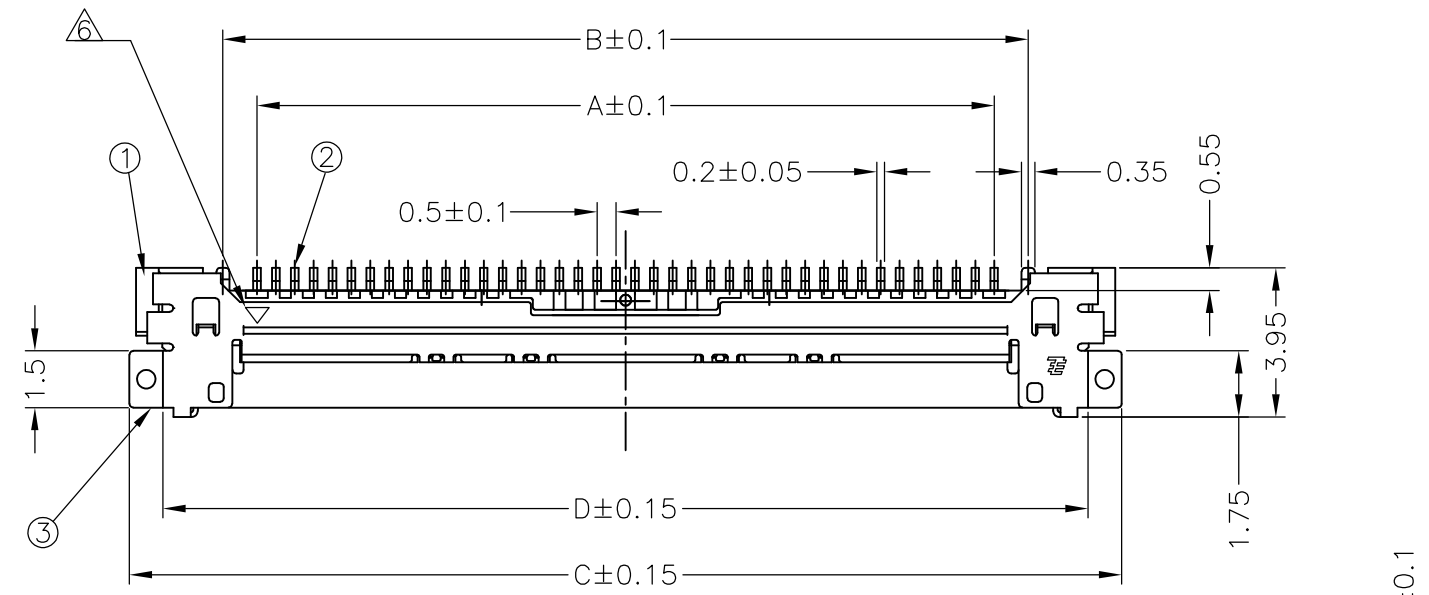
© COPYRIGHT - By - ALL RIGHTS RESERVED.

PART NO.	POS NO.	A	B	C	D	E	F	G	DATUM MARK \triangle	TOOLING STATUS
2069716-3	40	19.5	21.3	26.25	24.47	24.3	20.6	28.2	WITHOUT DATUM MARK	AVAILABLE
2069716-2	30	14.5	16.3	21.25	19.47	19.3	15.6	23.2		NOT AVAILABLE
2069716-1	20	9.5	11.3	16.25	14.47	14.3	10.6	18.2		NOT AVAILABLE
5-2069716-3	40	19.5	21.3	26.25	24.47	24.3	20.6	28.2	WITH DATUM MARK	OBSOLETE
5-2069716-2	30	14.5	16.3	21.25	19.47	19.3	15.6	23.2		OBSOLETE
5-2069716-1	20	9.5	11.3	16.25	14.47	14.3	10.6	18.2		NOT AVAILABLE

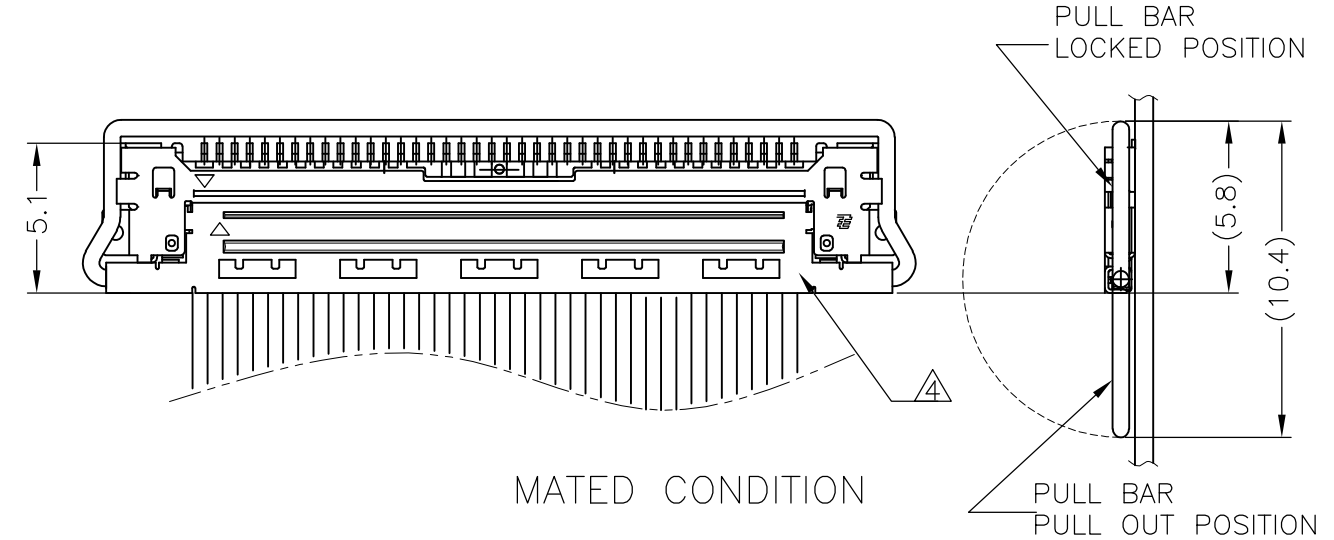
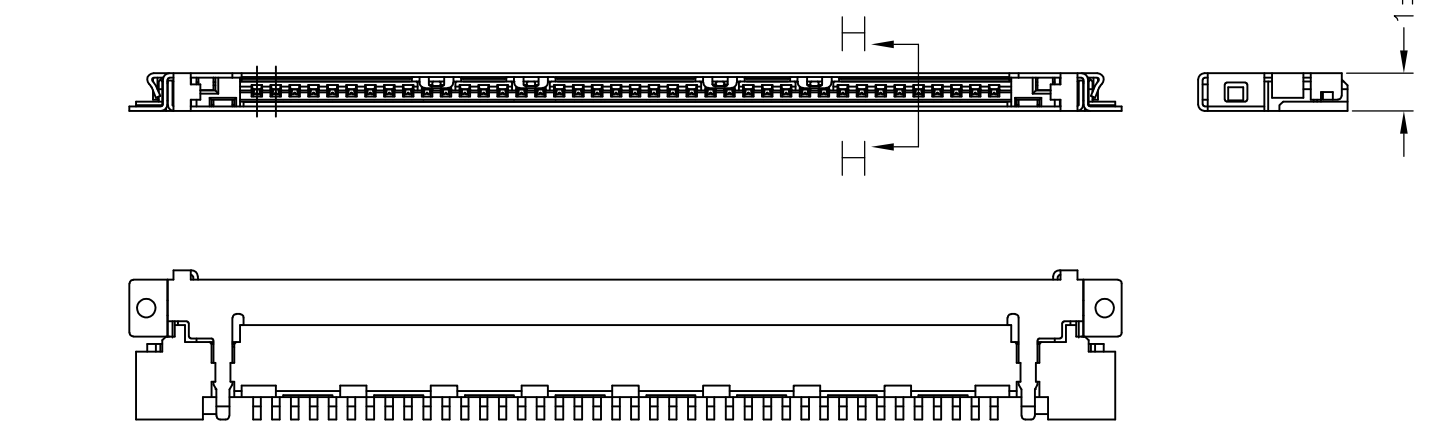
REVISIONS

P	LTR	DESCRIPTION	DATE	DWN	APVD
B		REVISED (ECR-17-011570)	16AUG2017	C.H	A.K

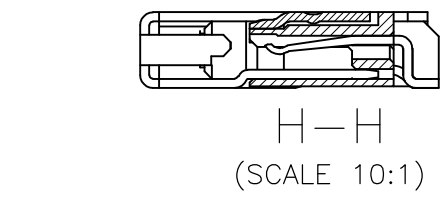
5-2069716-3 AS SHOWN



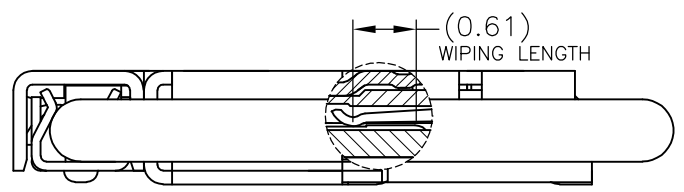
REFERENCE PWB LAYOUT



MATED CONDITION



H-H
(SCALE 10:1)



MATED CONDITION
(REFERENCE)

- \triangle 1 SOLDERING AREA
- \triangle 2 RESIST OR GND AREA
- \triangle 3 PULL BAR MOVEMENT AREA
- \triangle 4 THE CONNECTOR SHOULD BE PLUGGED WITH 2069715-3.
- 5. COPLANARITY 0.1MAX
- \triangle 6 DATUM MARK
- 7. INSTRUCTION SHEET 411-78355

③	SHELL	COPPER ALLOY, Au OVER Ni
②	CONTACT	COPPER ALLOY, Au OVER Ni
①	HOUSING	HIGH TEMP. THERMOPLASTIC, UL94V-0, BLACK
ITEM	PART NAME	MATERIAL & FINISH

THIS DRAWING IS A CONTROLLED DOCUMENT.

DIMENSIONS: mm	TOLERANCES UNLESS OTHERWISE SPECIFIED: 0 PLC ± - 1 PLC ± - ±0.2 2 PLC ± - ±0.2 3 PLC ± - ±2° 4 PLC ± - ± ANGLES ± - FINISH	DWN Y.SHINO 18SEP2009 CHK S.KAJINUMA 18SEP2009 APVD S.KAJINUMA 18SEP2009 PRODUCT SPEC 108-78659 APPLICATION SPEC	NAME LCD COAXIAL EMBEDDED DISPLAY INTERFACE (LCEDI) 0.5mm PITCH RECEPTACLE ASSEMBLY
MATERIAL	WEIGHT	SIZE A3 CAGE CODE 00779 DRAWING NO C-2069716	RESTRICTED TO
CUSTOMER DRAWING		SCALE 5:1	SHEET 1 OF 2 REV B

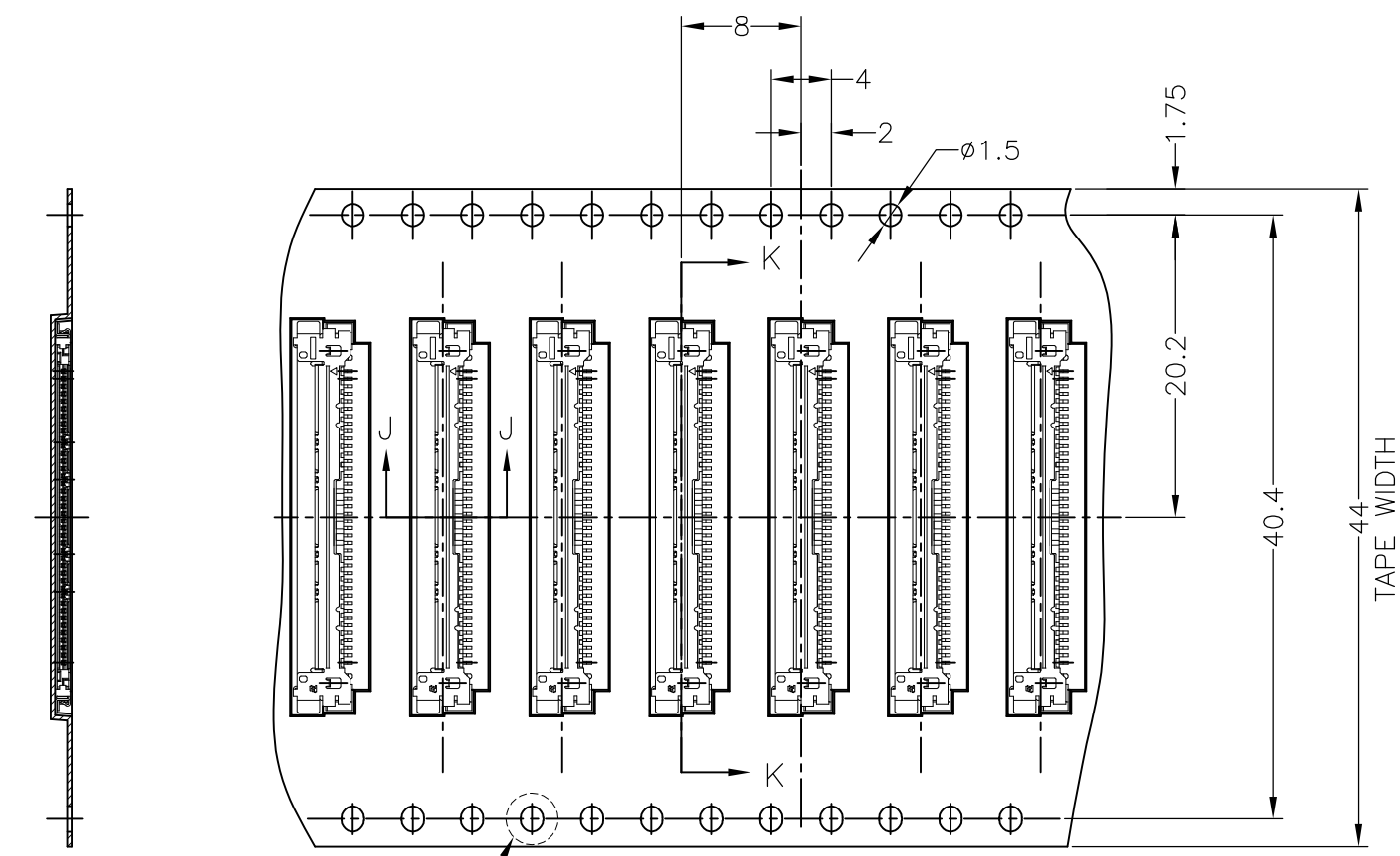
STE TE Connectivity

THIS DRAWING IS UNPUBLISHED. RELEASED FOR PUBLICATION
 © COPYRIGHT - By - ALL RIGHTS RESERVED.

REVISIONS					
P	LTR	DESCRIPTION	DATE	DWN	APVD
-	-	SEE SHEET 1	-	-	-

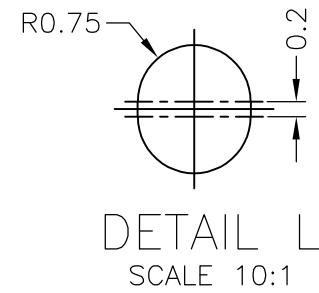
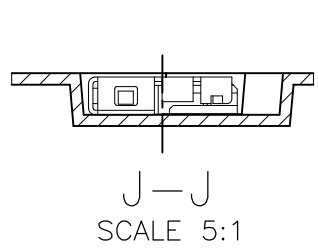
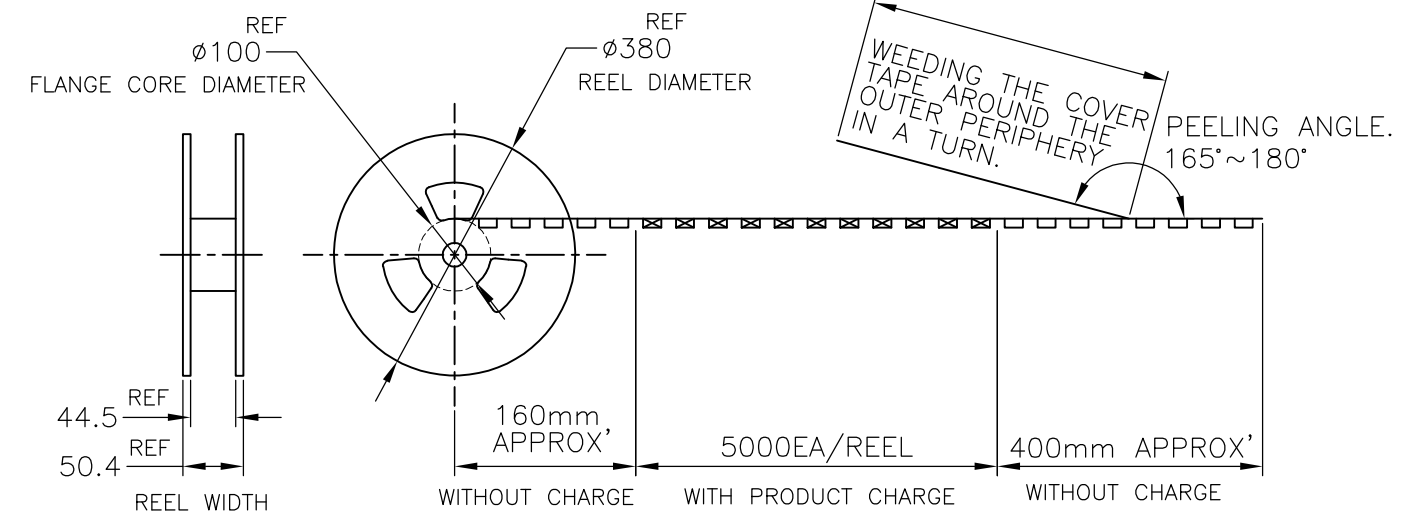
EMBOSS PACKING CONDITION

DIRECTION OF TOP OF REEL →



K-K

DETAIL L



THIS DRAWING IS A CONTROLLED DOCUMENT.		DWN	-		
DIMENSIONS: mm		CHK	-		
TOLERANCES UNLESS OTHERWISE SPECIFIED:		APVD	-		
0 PLC ± 0.3		PRODUCT SPEC	-		
1 PLC ± 0.3		APPLICATION SPEC	-		
2 PLC ± 0.3		WEIGHT	-		
3 PLC ± 0.3		TE Connectivity			
4 PLC ± 0.3		NAME			
ANGLES ± 3°		LCD COAXIAL EMBEDDED DISPLAY INTERFACE (LCEDI) 0.5mm PITCH CONNECTOR RECEPTACLE ASSEMBLY			
FINISH		SIZE	CAGE CODE	DRAWING NO	RESTRICTED TO
MATERIAL		A3	00779	C-2069716	-
CUSTOMER DRAWING		SCALE	2:1	SHEET	2 of 2
				REV	B