



Chipsmall Limited consists of a professional team with an average of over 10 year of expertise in the distribution of electronic components. Based in Hongkong, we have already established firm and mutual-benefit business relationships with customers from,Europe,America and south Asia,supplying obsolete and hard-to-find components to meet their specific needs.

With the principle of “Quality Parts,Customers Priority,Honest Operation,and Considerate Service”,our business mainly focus on the distribution of electronic components. Line cards we deal with include Microchip,ALPS,ROHM,Xilinx,Pulse,ON,Everlight and Freescale. Main products comprise IC,Modules,Potentiometer,IC Socket,Relay,Connector.Our parts cover such applications as commercial,industrial, and automotives areas.

We are looking forward to setting up business relationship with you and hope to provide you with the best service and solution. Let us make a better world for our industry!



## Contact us

Tel: +86-755-8981 8866 Fax: +86-755-8427 6832

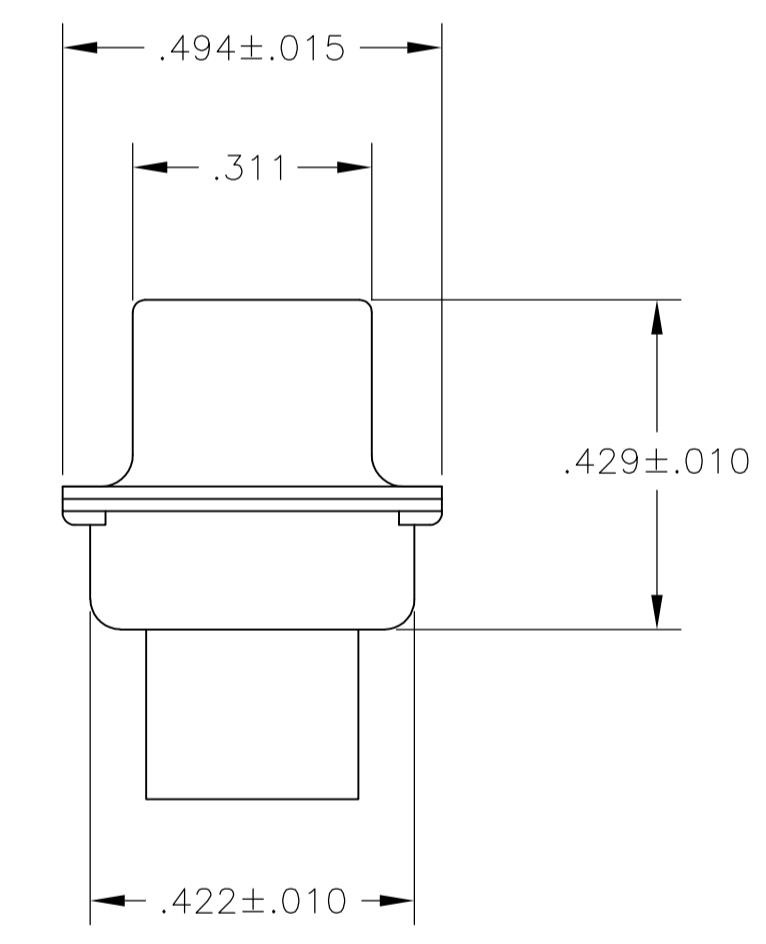
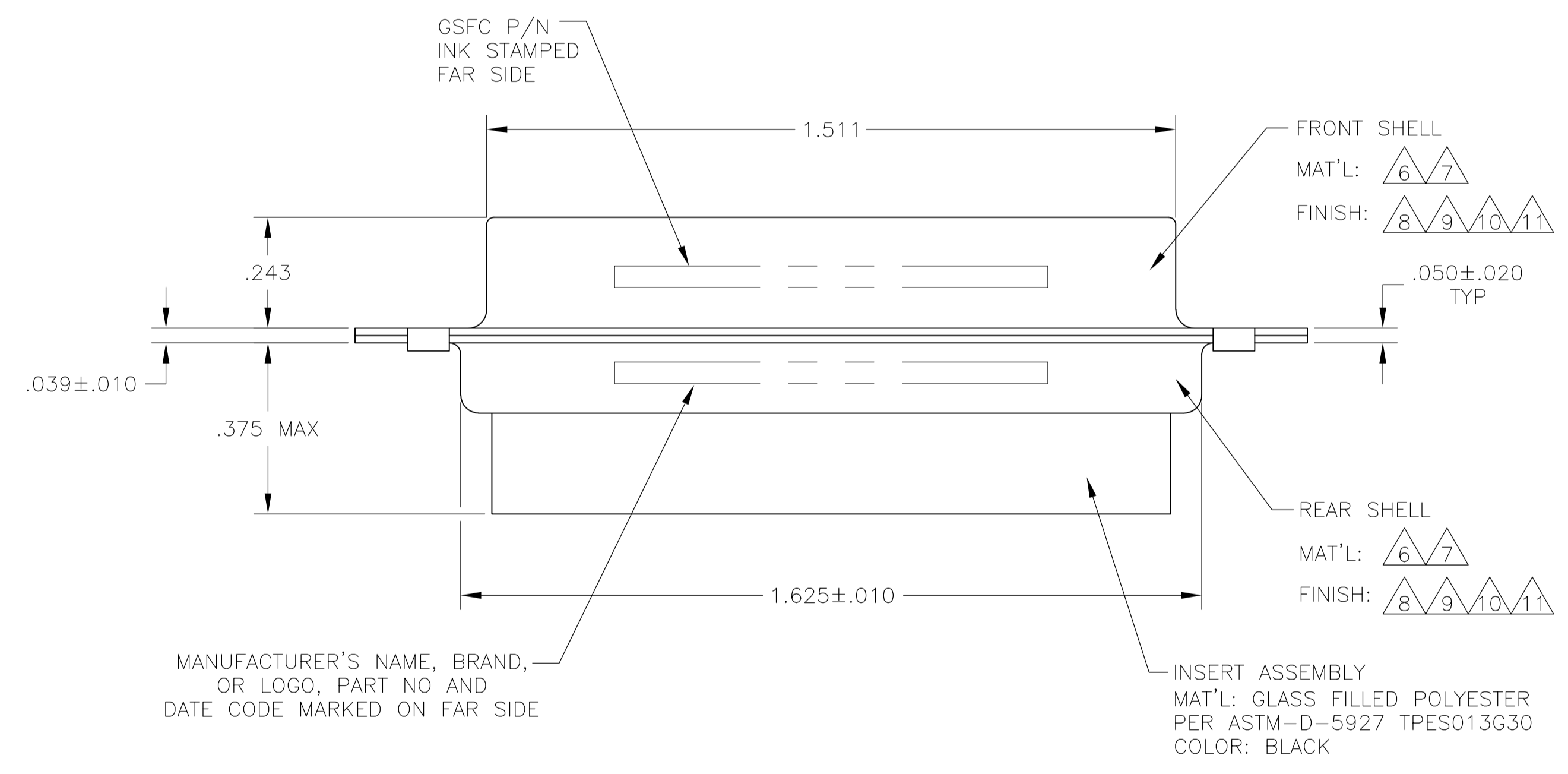
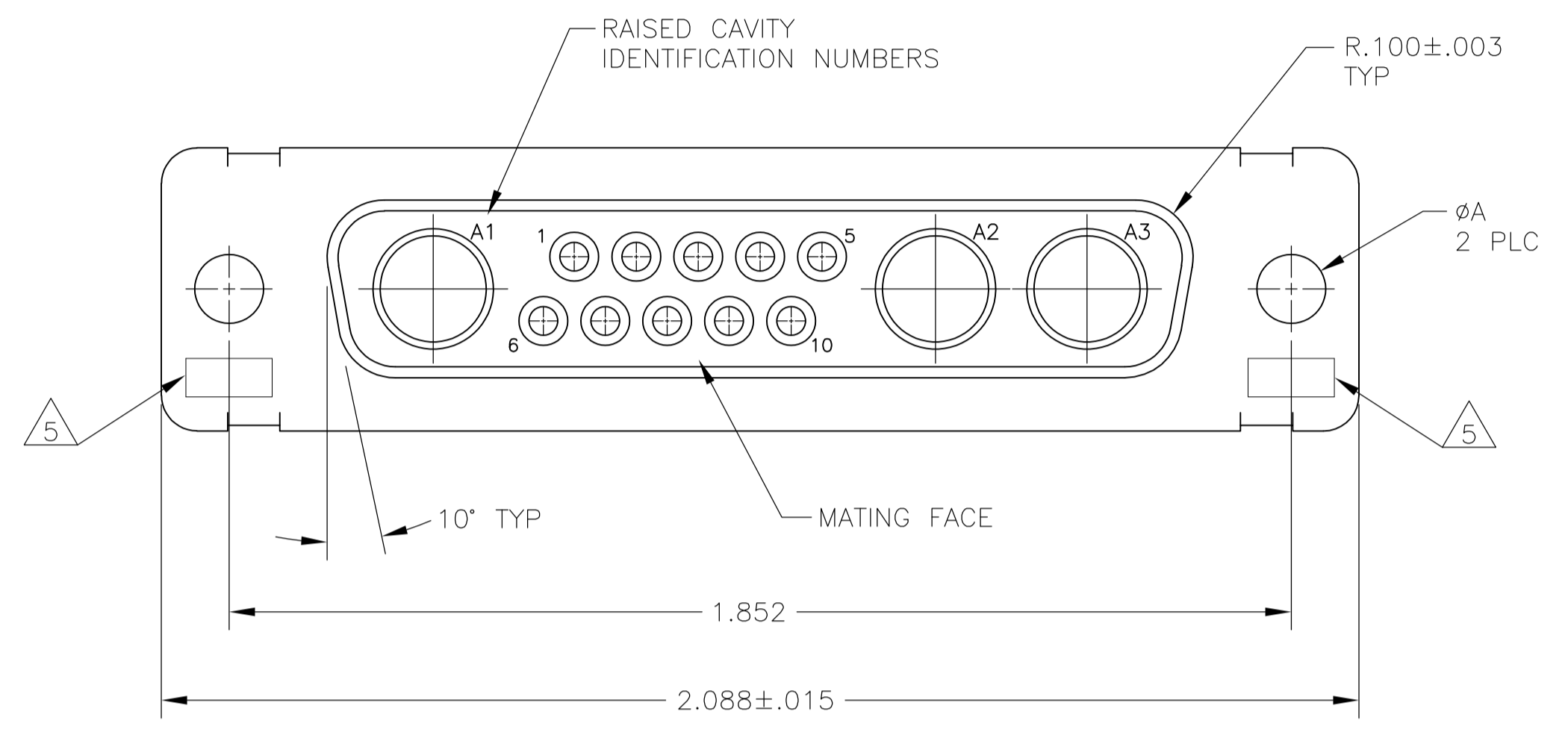
Email & Skype: info@chipsmall.com Web: www.chipsmall.com

Address: A1208, Overseas Decoration Building, #122 Zhenhua RD., Futian, Shenzhen, China



LOC	DIST	REVISIONS			
DF	DO	REV	DESCRIPTION	DATE	BY
S		1	REVISED PER ECO-12-004104	16MAR12	PY RL

- THIS RECEPTACLE WILL MATE WITH ANY 13C3, SIZE 3 PLUG IN AMPLIMITE SERIES.
  - MAXIMUM WIRE INSULATION TO BE USED WITH THIS RECEPTACLE IS  $\phi .068$ .
  - THIS CONNECTOR ACCEPTS (3) POWER 8, OR COAX SOCKET CONTACTS IN POSITIONS A1 THRU A3, PURCHASED SEPARATELY.
  - THIS CONNECTOR ACCEPTS SIZE 20 SOCKET SIGNAL CONTACTS IN POSITIONS 1 THRU 10, PURCHASED SEPARATELY.
- $\triangle 5$  UL/CSA DESIGNATION STAMPED IN THIS AREA, OPTIONAL.
  - $\triangle 6$  STEEL PER ASTM-A-109.
  - $\triangle 7$  BRASS PER MIL-C-50 AND ASTM-B-36 UNS NO. C26000.
  - $\triangle 8$  FINISH: CADMIUM PLATED PER QQ-P-416.
  - $\triangle 9$  FINISH: TIN PER ASTM-B-545 .000400 MIN THK OVER COPPER PER AMS2418 .000050 MIN THK.
  - $\triangle 10$  GOLD PLATED PER ASTM-B-488 TYPE II, GRADE C, CLASS 1 OVER COPPER PER AMS2418, CLASS IV.
  - $\triangle 11$  FINISH: ZINC PLATE PER ASTM-B-633, .000200-.000400 THK WITH SUPPLEMENTARY CHROMATE (Cr3+)



REMARKS	$\phi A$	GSFC P/N	PART NO.
$\triangle 6 \triangle 9$	.120	-	5-208811-2
$\triangle 6 \triangle 11$	.120	-	5-208811-1
$\triangle 7 \triangle 10$	.154	311P405-12S-B-15	208811-4
$\triangle 7 \triangle 10$	.120	311P405-12S-B-12	208811-3
$\triangle 6 \triangle 9$	.120	-	208811-2
$\triangle 6 \triangle 8$	.120	-	208811-1

THIS DRAWING IS A CONTROLLED DOCUMENT.

DIMENSIONS: INCHES

TOLERANCES UNLESS OTHERWISE SPECIFIED:

0 PLC	± .005
1 PLC	± .005
2 PLC	± .005
3 PLC	± .005(0.13)
4 PLC	± .005
ANGLES	± $0^{\circ}30'$

MATERIAL: - FINISH: -

THIS DRAWING IS A CONTROLLED DOCUMENT. C.C. THOMAS 04FEB88  
 CJK A.FMADI 09FEB88  
 A.FMADI 09FEB88

NAME: RECEPTACLE ASSEMBLY AMPLIMITE 13C3 SIZE 3, SERIES 109, COAX MIX

SIZE: A1 CAGE CODE: 00779 DRAWING NO: 208811

WEIGHT: -

CUSTOMER DRAWING SCALE: 4:1 SHEET: 1 OF 1 REV: S

STE TE Connectivity