



Chipsmall Limited consists of a professional team with an average of over 10 year of expertise in the distribution of electronic components. Based in Hongkong, we have already established firm and mutual-benefit business relationships with customers from,Europe,America and south Asia,supplying obsolete and hard-to-find components to meet their specific needs.

With the principle of “Quality Parts,Customers Priority,Honest Operation,and Considerate Service”,our business mainly focus on the distribution of electronic components. Line cards we deal with include Microchip,ALPS,ROHM,Xilinx,Pulse,ON,Everlight and Freescale. Main products comprise IC,Modules,Potentiometer,IC Socket,Relay,Connector.Our parts cover such applications as commercial,industrial, and automotives areas.

We are looking forward to setting up business relationship with you and hope to provide you with the best service and solution. Let us make a better world for our industry!



Contact us

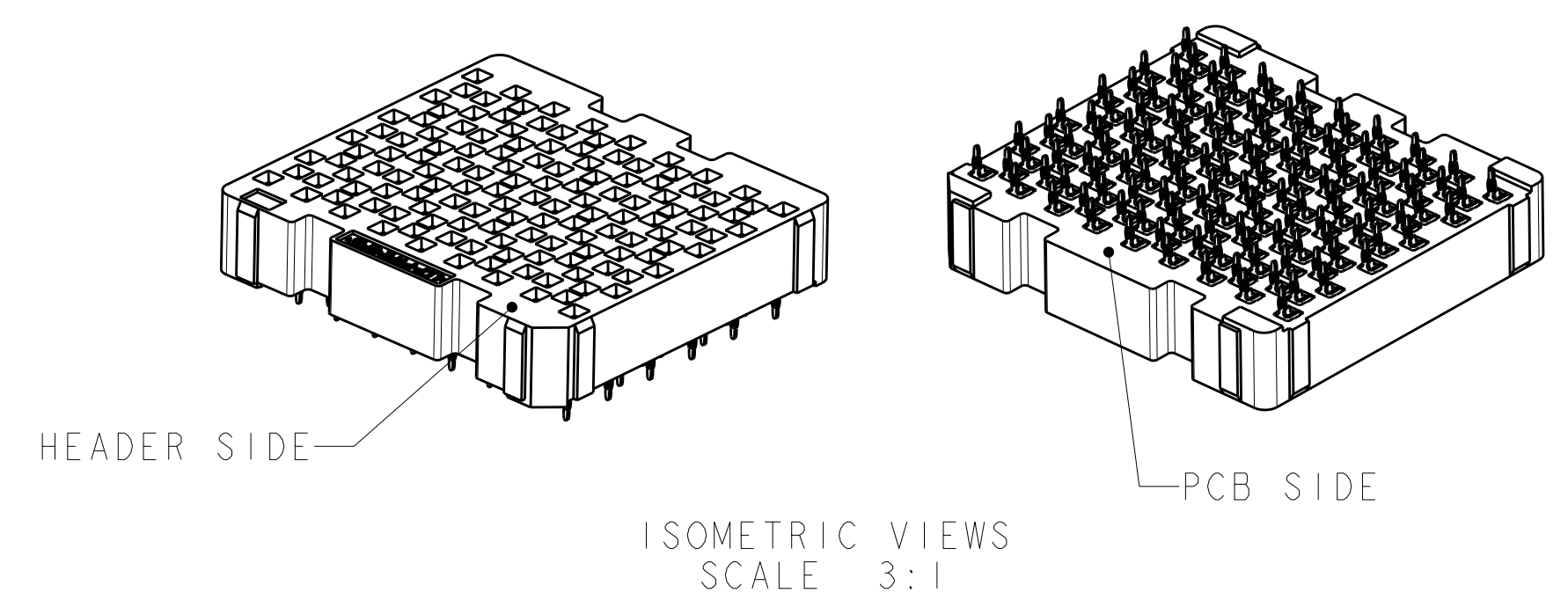
Tel: +86-755-8981 8866 Fax: +86-755-8427 6832

Email & Skype: info@chipsmall.com Web: www.chipsmall.com

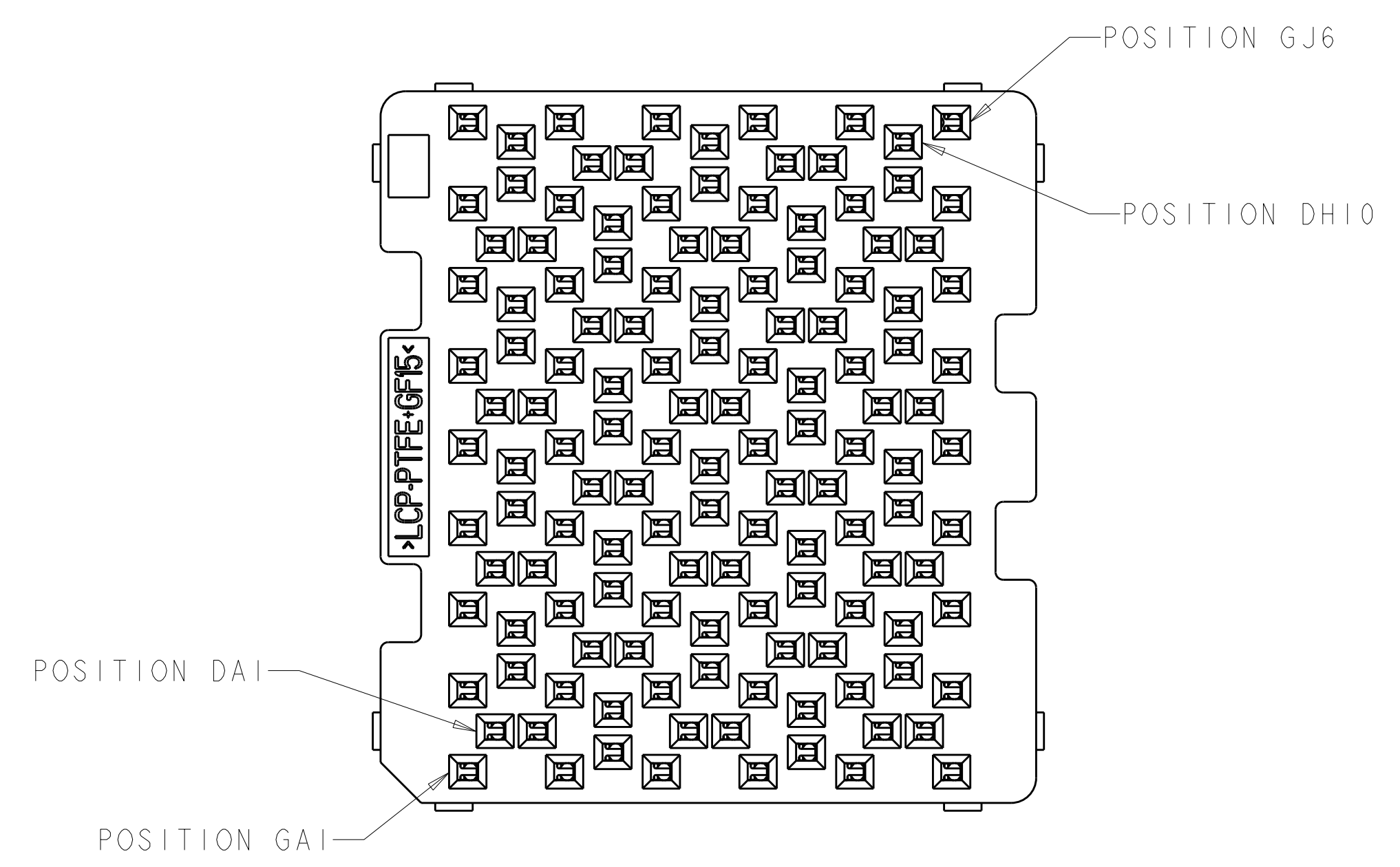
Address: A1208, Overseas Decoration Building, #122 Zhenhua RD., Futian, Shenzhen, China



LOC	DIST	REVISIONS			
		REV	DATE	BY	APPD
GP	00	3	10JAN2011	WS	MH
		4	10MAY2012	REH	DT

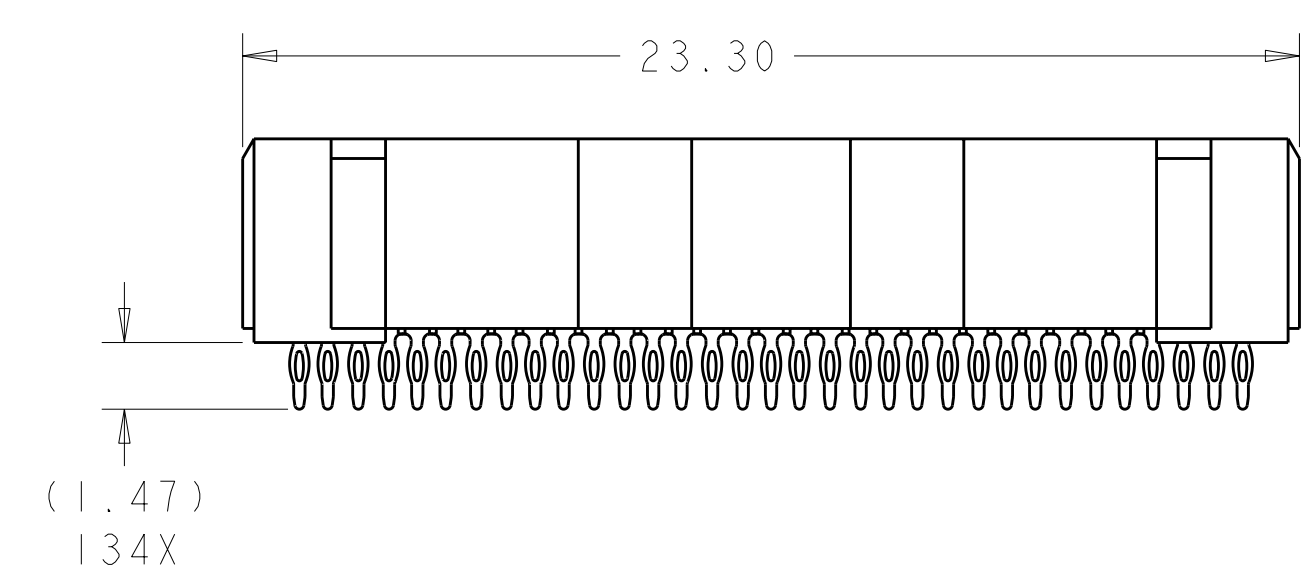
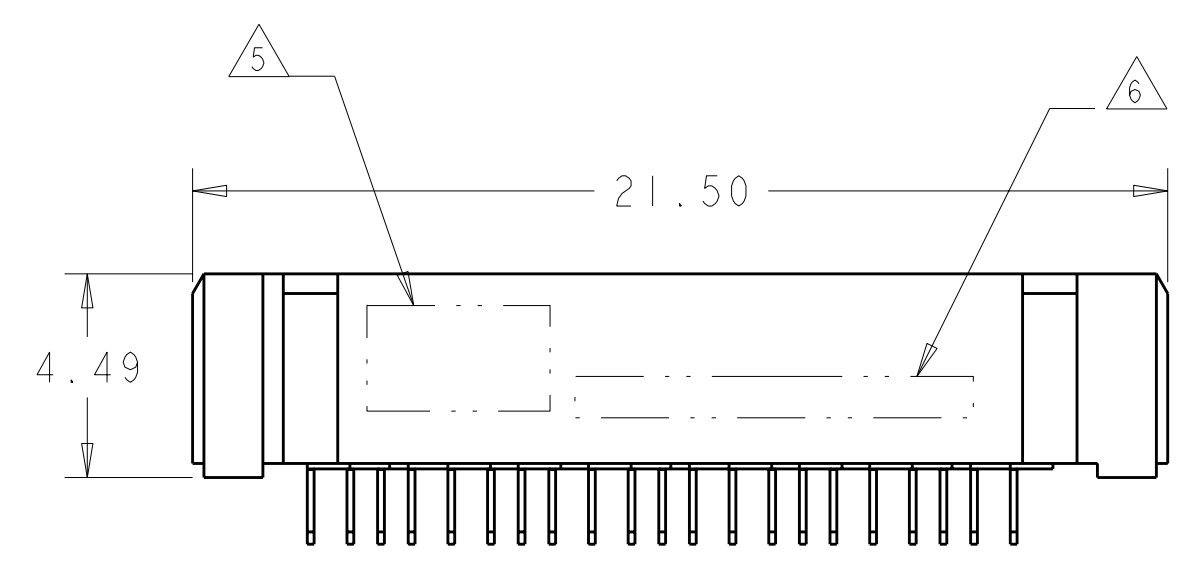


- △ MATERIAL:
HOUSING: THERMOPLASTIC, FLAMMABILITY RATING UL94-V0
CONTACT: COPPER ALLOY
- 2. CONFORMS TO THE REQUIREMENTS OF TE PRODUCT SPECIFICATION, 108-2375; BASED ON TELCORDIA GR-1217-CORE FOR SYSTEM QUALITY LEVEL III, APPLICATIONS IN CONTROLLED ENVIRONMENTS (CENTRAL OFFICE). SEE TE PRODUCT SPECIFICATION 108-2375 FOR TEST SEQUENCES.
- △ 3. ROWS GA THRU GJ (SHOWN DARKENED) ARE TYPICALLY USED AS GROUNDS.
- △ 4. SPECIFIED POSITIONAL TOLERANCE DEFINES HOLE TO HOLE LOCATION WITHIN HOLE PATTERN. POSITIONAL TOLERANCE OF HOLE PATTERN TO FIDUCIAL MARKS OR PCB DATUMS SHALL BE DEFINED BY CUSTOMER.
- △ 5. AREA RESERVED FOR TE CONNECTIVITY LOGO.
- △ 6. AREA RESERVED FOR PART NUMBER (X-XXXXXXX-X) AND DATE CODE (YYWW).
- △ USE CENTERLINES INDICATED ON PCB HOLE PATTERN TO ESTABLISH ALIGNMENT BETWEEN HEADER AND RECEPTACLE BOARDS.
- △ 8. PLATED THROUGH HOLE REQUIREMENTS:
HOLE SIZE PRIOR TO PLATING = $\varnothing 0.420 \pm 0.013$
COPPER PLATING THICKNESS = 0.038 ± 0.013
CALCULATED FINISHED HOLE SIZE = $\varnothing 0.344 \pm 0.039$
THESE DIMENSIONS APPLY TO THE TOP 1.25mm OF THE PCB THICKNESS FROM THE CONNECTOR MOUNTING SIDE.



SIZE 1 HOUSING *
40 DIFFERENTIAL PAIRS
134 TOTAL SIGNAL CONTACTS

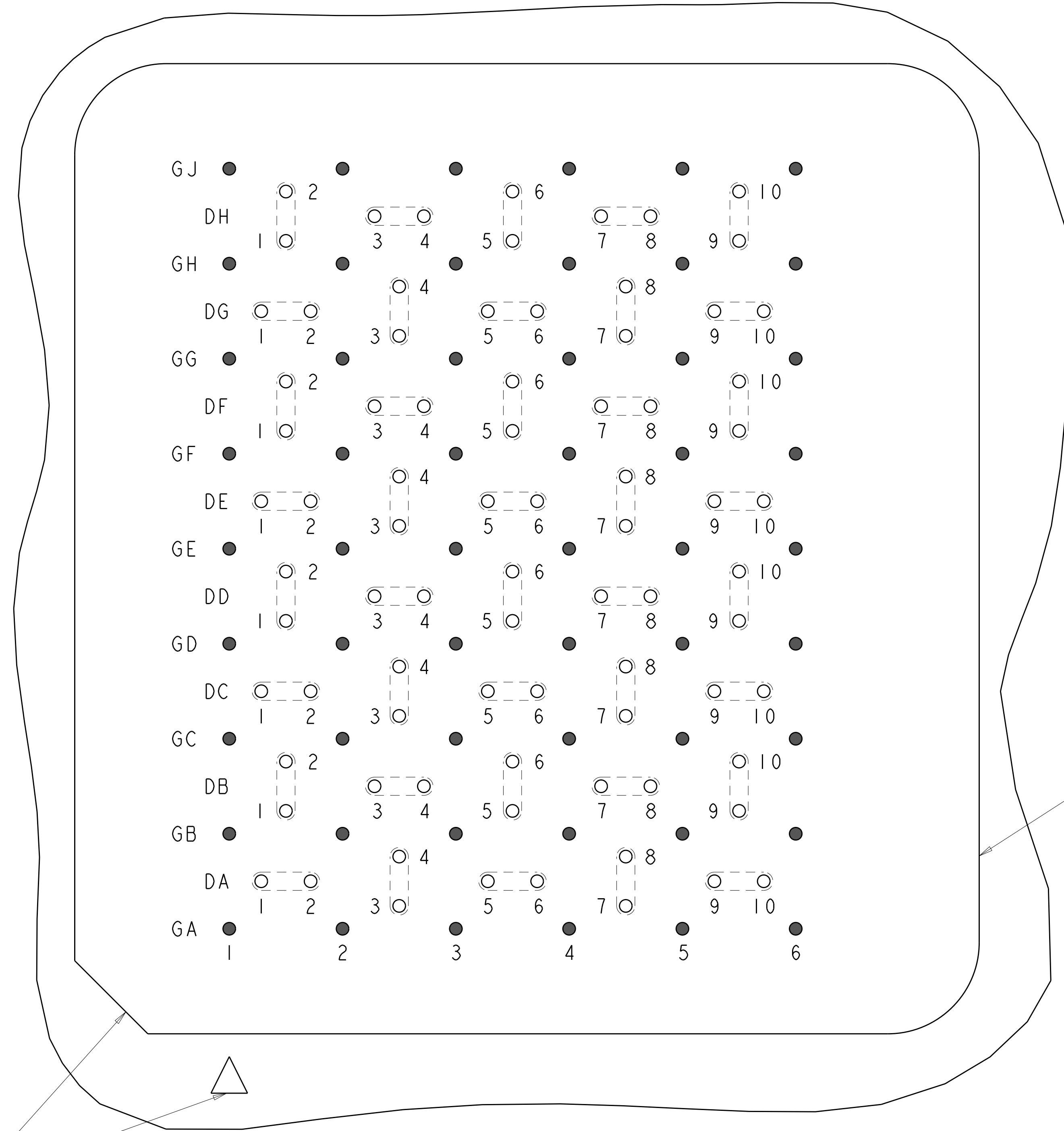
* SIZE 2 AND SIZE 3 ARE ALSO AVAILABLE



THIS PRODUCT HAS NOT COMPLETED VALIDATION AND QUALIFICATION TESTING

THIS DRAWING IS A CONTROLLED DOCUMENT.		DWN D. RINGLER 13FEB2009	YES	MATTE Sn	5-2110321-1
DIMENSIONS:		CHK D. TROUT 13FEB2009	TOOLED	Sn/Pb	2110321-1
TOLERANCES UNLESS OTHERWISE SPECIFIED:		APVD J. FEDDER 13FEB2009	CONTACT TAIL PLATING	PART NUMBER	
mm		PRODUCT SPEC	TE Connectivity RECEPTACLE ASSEMBLY 40/134 SIGNAL STRADA MESA MEZZANINE CONNECTOR		
9 PLC ± 3 PLC ±0.13 5 PLC ±0.013 4 PLC ± ANGLES ±#1 FINISH		APPLICATION SPEC			
MATERIAL		114-13249	SIZE	CAGE CODE	DRAWING NO
WEIGHT		114-13249	A100779	C=2110321	RESTRICTED TO
CUSTOMER DRAWING		SCALE	6:1	SHEET	1 OF 3
		REV	4		


LOC	DIST	REVISIONS			
GP	00	REV	DATE	BY	APPD
		1	SEE SHEET 1		



MATED CONNECTOR OUTLINE
 SEE SHEET 3 FOR LOCATION TO HOLES

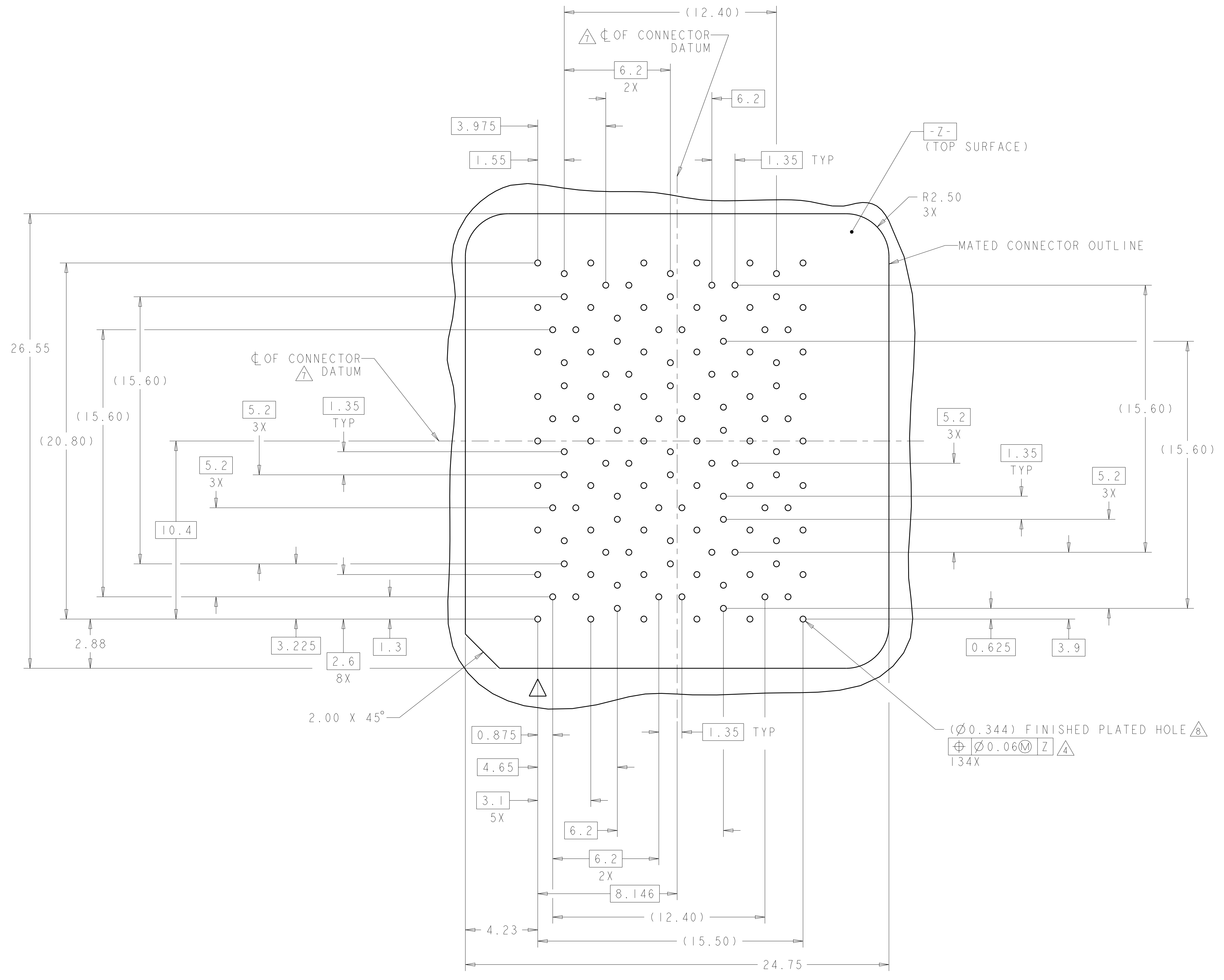
A1 CORNER INDICATORS.

PCB LAYOUT AND PIN IDENTIFICATION 
 SHOWN FROM CONNECTOR SIDE
 SCALE 12:1

THIS DRAWING IS A CONTROLLED DOCUMENT.		DWN D. RINGLER 13FEB2009	 TE Connectivity
DIMENSIONS: mm		CHK D. TROUT 13FEB2009	
TOLERANCES UNLESS OTHERWISE SPECIFIED: 9 PLG ± 2 PLG ±0.13 5 PLG ±0.013 4 PLG ± ANGLES ±#1		APVD J. FEDDER 13FEB2009	NAME RECEPTACLE ASSEMBLY 40/134 SIGNAL STRADA MESA MEZZANINE CONNECTOR
MATERIAL		114-13249	SIZE CAGE CODE DRAWING NO A1100779C=2110321
FINISH		WEIGHT	RESTRICTED TO
		CUSTOMER DRAWING	SCALE 6:1 SHEET 2 OF 3 REV 4

LOC	DIST	REV	DATE	BY	APPD
GP	00				

REVISIONS					
REV	DATE	BY	APPD	DESCRIPTION	DATE
-	-	-	-	SEE SHEET 1	-



THIS DRAWING IS A CONTROLLED DOCUMENT.		DWN D. RINGLER	13FEB2009		TE Connectivity
DIMENSIONS: mm		CHK D. TROUT	13FEB2009		NAME RECEPTACLE ASSEMBLY 40/134 SIGNAL STRADA MESA MEZZANINE CONNECTOR
TOLERANCES UNLESS OTHERWISE SPECIFIED: 9 PLC ± 2 PLC ±0.13 5 PLC ±0.013 4 PLC ± ANGLES ±1		APVD J. FEDDER	13FEB2009	PRODUCT SPEC 108-2375	RESTRICTED TO
MATERIAL		APPLICATION SPEC 114-13249		SIZE A1100779	DRAWING NO C=2110321
FINISH		WEIGHT		CUSTOMER DRAWING	
SCALE 6:1				SHEET 3 OF 3	
REV 4					