



Chipsmall Limited consists of a professional team with an average of over 10 year of expertise in the distribution of electronic components. Based in Hongkong, we have already established firm and mutual-benefit business relationships with customers from,Europe,America and south Asia,supplying obsolete and hard-to-find components to meet their specific needs.

With the principle of “Quality Parts,Customers Priority,Honest Operation,and Considerate Service”,our business mainly focus on the distribution of electronic components. Line cards we deal with include Microchip,ALPS,ROHM,Xilinx,Pulse,ON,Everlight and Freescale. Main products comprise IC,Modules,Potentiometer,IC Socket,Relay,Connector.Our parts cover such applications as commercial,industrial, and automotives areas.

We are looking forward to setting up business relationship with you and hope to provide you with the best service and solution. Let us make a better world for our industry!



## Contact us

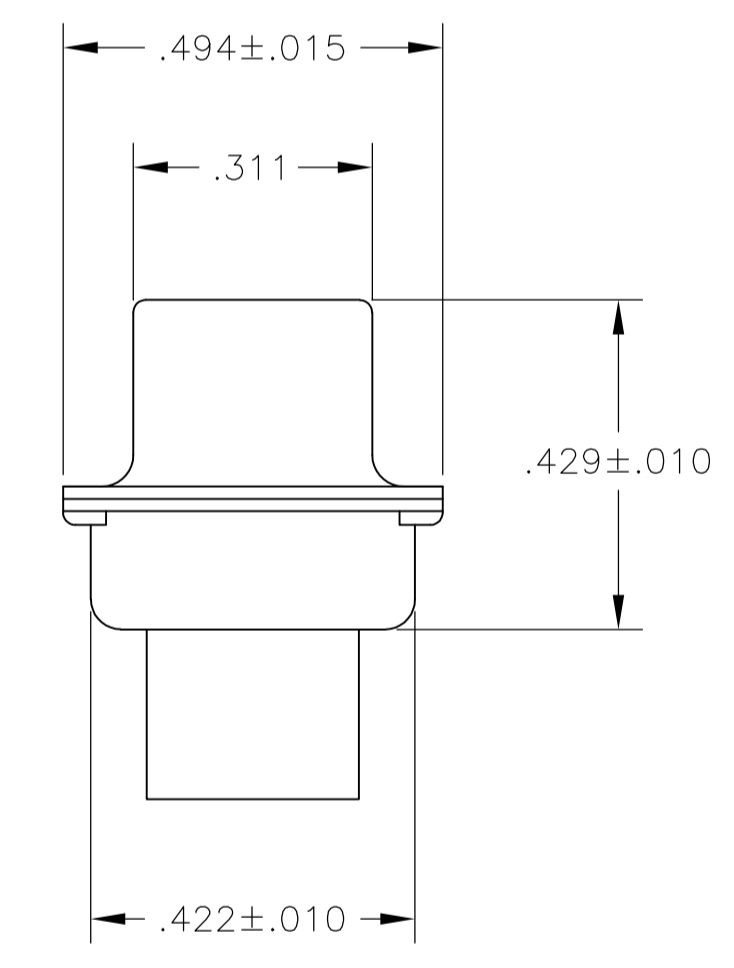
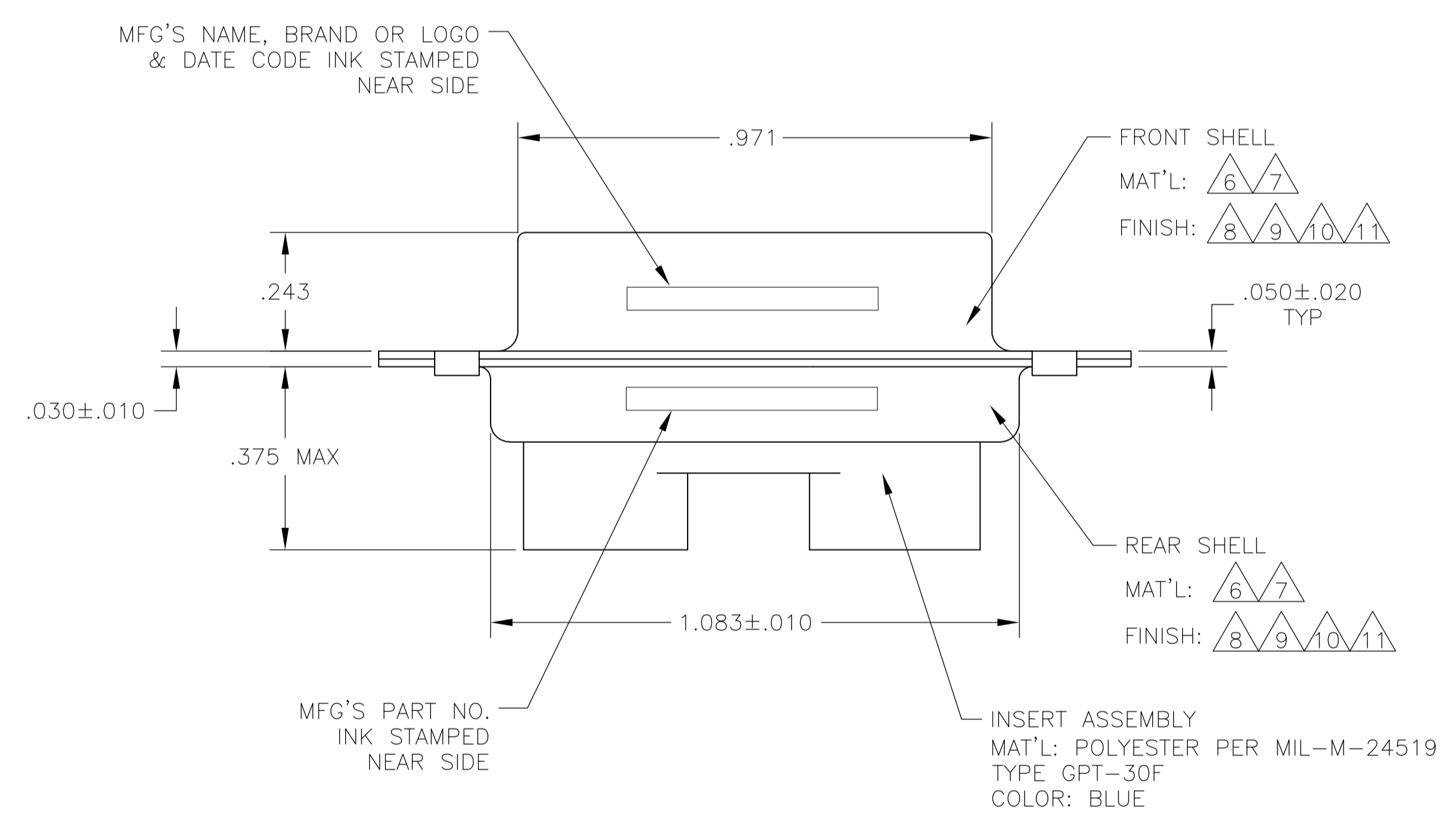
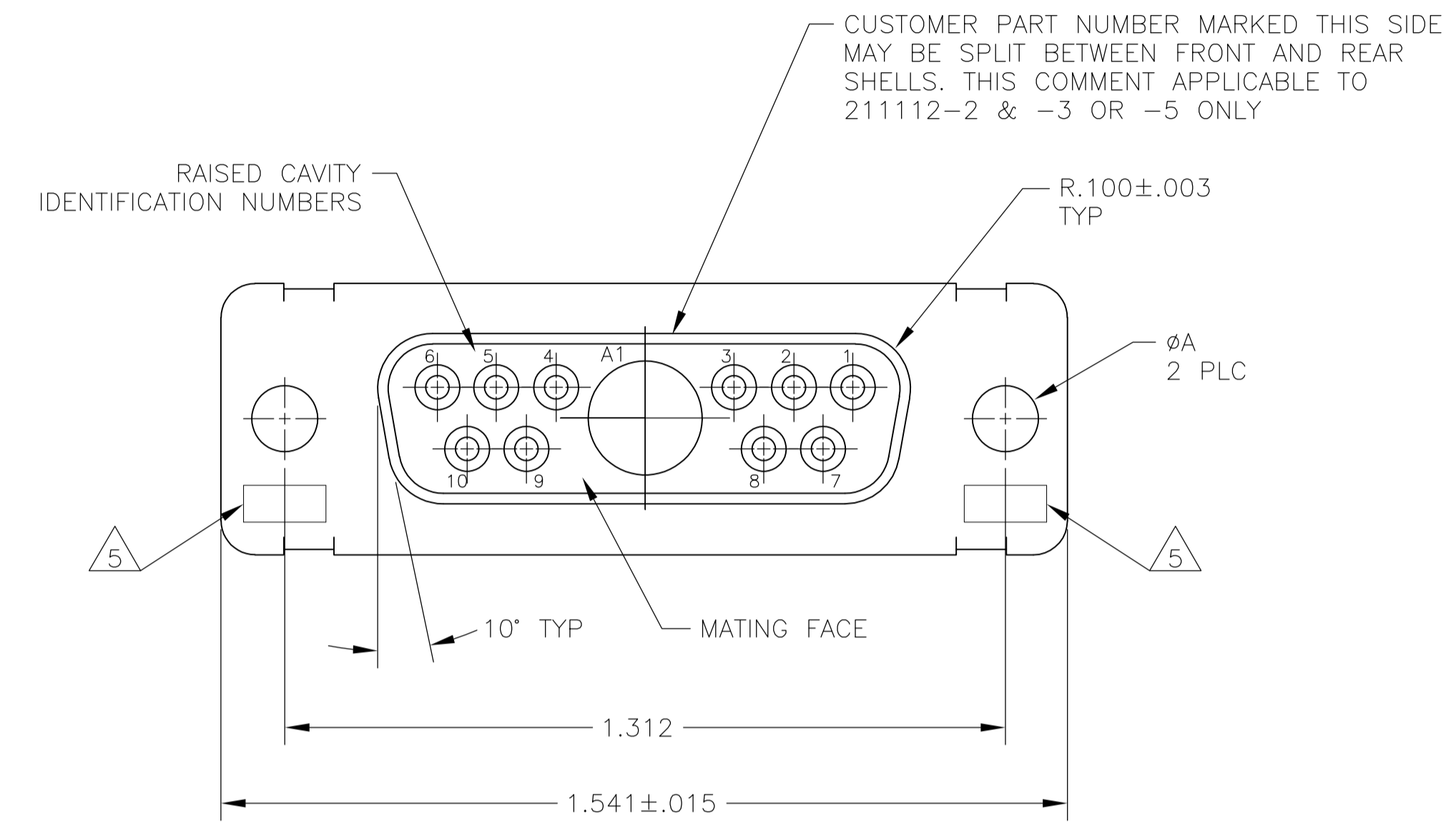
Tel: +86-755-8981 8866 Fax: +86-755-8427 6832

Email & Skype: info@chipsmall.com Web: www.chipsmall.com

Address: A1208, Overseas Decoration Building, #122 Zhenhua RD., Futian, Shenzhen, China



LOC		DIST		REVISIONS			
DF	DO	P	LTR	DESCRIPTION	DATE	DWN	APVD
S				REVISED PER ECO-12-004104	16MAR12	PY	RL



- THIS RECEPTACLE WILL MATE WITH ANY 11C1, SIZE 2 PLUG IN AMPLIMITE SERIES.
  - MAXIMUM WIRE INSULATION TO BE USED WITH THIS RECEPTACLE IS ∅.068.
  - THIS CONNECTOR ACCEPTS (1) POWER 8, OR COAX SOCKET CONTACT IN POSITION A1, PURCHASED SEPARATELY.
  - THIS CONNECTOR ACCEPTS SIZE 20 SOCKET CONTACTS IN POSITIONS 1 THRU 10, PURCHASED SEPARATELY.
- 5 UL/CSA DESIGNATION STAMPED IN THIS AREA, OPTIONAL.
- 6 STEEL PER ASTM-A-109.
- 7 BRASS PER MIL-C-50 AND ASTM-B-36 UNS NO. C26000.
- 8 CADMIUM PLATED PER QQ-P-416.
- 9 GOLD PLATED PER MIL-G-45204 TYPE II, GRADE C, CLASS 1 OVER COPPER PER MIL-C-14550, CLASS IV.
- 10 FINISH: TIN PER ASTM-B-545 .000400 MIN THK OVER COPPER PER AMS2418 .000050 MIN THK.
- 11 FINISH: ZINC PLATE PER ASTM-B-633 .000200-.000400 THK WITH SUPPLEMENTARY CHROMATE (Cr3+).

6 10	.120	-	5-211112-4
6 11	.120	-	5-211112-1
6 10	.120	-	211112-6
7 9	.120	B010942-0038	211112-5
6 10	.120	-	211112-4
7 9	.154	311P405-9S-B-15	211112-3
7 9	.120	311P405-9S-B-12	211112-2
6 8	.120	-	211112-1
REMARKS	∅A	GSFC P/N	PART NO.

THIS DRAWING IS A CONTROLLED DOCUMENT.

DIN T. SHUEY 01NOV88  
 CHK A. EMADI 21JAN88  
 APVD A. EMADI 21JAN88

TE Connectivity

RECEPTACLE ASSEMBLY  
 AMPLIMITE 11C1  
 SERIES 109, SIZE 2, COAX MIX

SIZE: A1 00779 C=211112  
 WEIGHT: -  
 CUSTOMER DRAWING

SCALE: 4:1 SHEET 1 OF 1 REV S