



Chipsmall Limited consists of a professional team with an average of over 10 year of expertise in the distribution of electronic components. Based in Hongkong, we have already established firm and mutual-benefit business relationships with customers from,Europe,America and south Asia,supplying obsolete and hard-to-find components to meet their specific needs.

With the principle of “Quality Parts,Customers Priority,Honest Operation,and Considerate Service”,our business mainly focus on the distribution of electronic components. Line cards we deal with include Microchip,ALPS,ROHM,Xilinx,Pulse,ON,Everlight and Freescale. Main products comprise IC,Modules,Potentiometer,IC Socket,Relay,Connector.Our parts cover such applications as commercial,industrial, and automotives areas.

We are looking forward to setting up business relationship with you and hope to provide you with the best service and solution. Let us make a better world for our industry!



Contact us

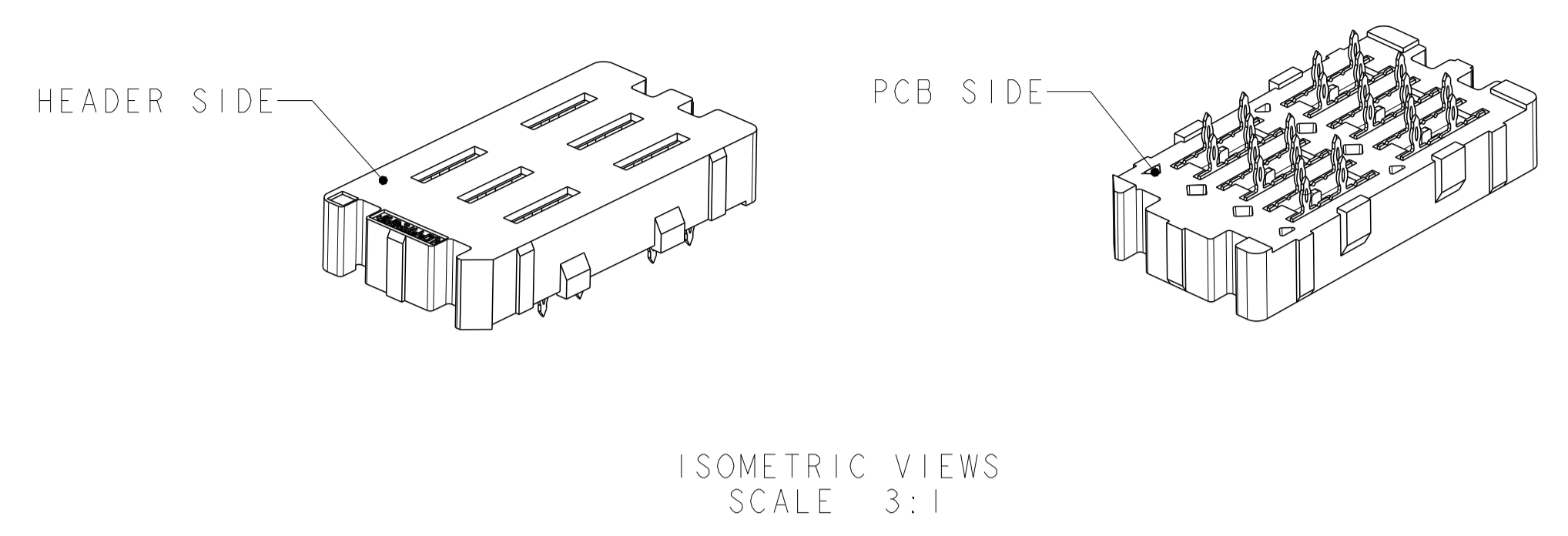
Tel: +86-755-8981 8866 Fax: +86-755-8427 6832

Email & Skype: info@chipsmall.com Web: www.chipsmall.com

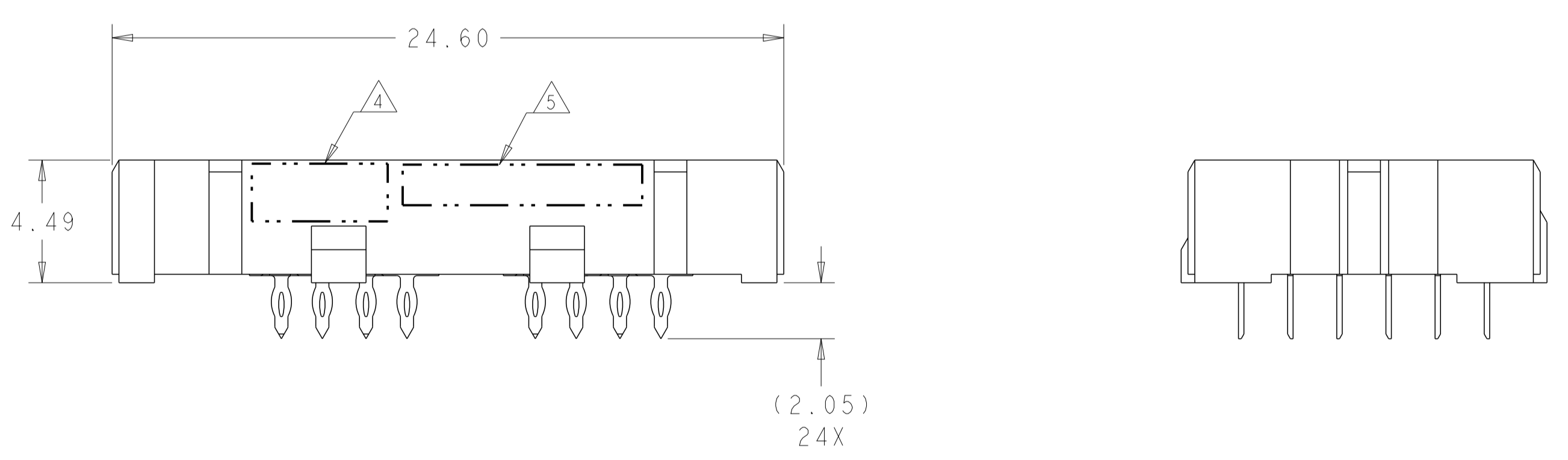
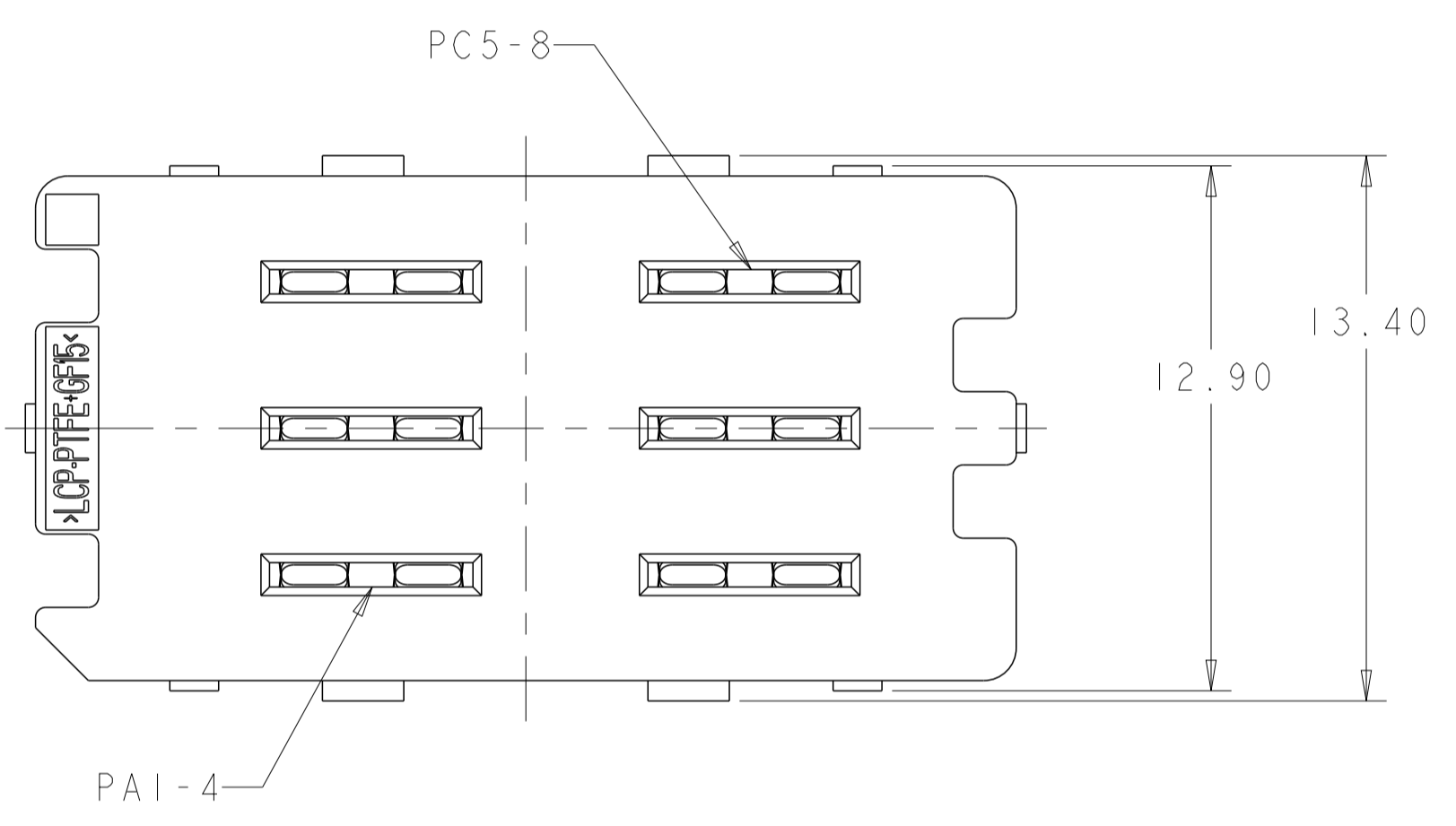
Address: A1208, Overseas Decoration Building, #122 Zhenhua RD., Futian, Shenzhen, China



LOC		DIST		REVISIONS			
P	LTN	DESCRIPTION	DATE	DWN	APVD		
A		REVISED PER ECO-12-018933	31OCT12	KH	MH		



- △ MATERIAL:
HOUSING: THERMOPLASTIC, FLAMMABILITY RATING UL94 V-0
CONTACT: COPPER ALLOY
- 2. CONFORMS TO THE REQUIREMENTS OF TE PRODUCT SPECIFICATION, 108-2375; BASED ON TELCORDIA GR-1217-CORE FOR SYSTEM QUALITY LEVEL III, APPLICATIONS IN CONTROLLED ENVIRONMENTS (CENTRAL OFFICE).
SEE TE PRODUCT SPECIFICATION 108-2375 FOR TEST SEQUENCES.
- △ SPECIFIED POSITIONAL TOLERANCE DEFINES HOLE TO HOLE LOCATION WITHIN HOLE PATTERN. POSITIONAL TOLERANCE OF HOLE PATTERN TO FIDUCIAL MARKS OR PCB DATUMS SHALL BE DEFINED BY CUSTOMER.
- △ AREA RESERVED FOR TE CONNECTIVITY LOGO.
- △ AREA RESERVED FOR PART NUMBER (X-XXXXXXX-X) AND DATE CODE (YYWW).
- △ USE CENTER LINES INDICATED ON PCB HOLE PATTERN TO ESTABLISH ALIGNMENT BETWEEN HEADER AND RECEPTACLE BOARDS.
- △ PLATED THROUGH HOLE REQUIREMENTS:
HOLE SIZE PRIOR TO PLATING = $\varnothing 0.700 \pm 0.025$
COPPER PLATING THICKNESS = 0.038 ± 0.013
CALCULATED FINISHED HOLE SIZE = $\varnothing 0.624 \pm 0.051$
THESE DIMENSIONS APPLY TO THE TOP 1.50mm OF THE PCB THICKNESS FROM THE CONNECTOR MOUNTING SIDE.



SIZE 1 HALF-WIDE *
6 POWER CONTACTS

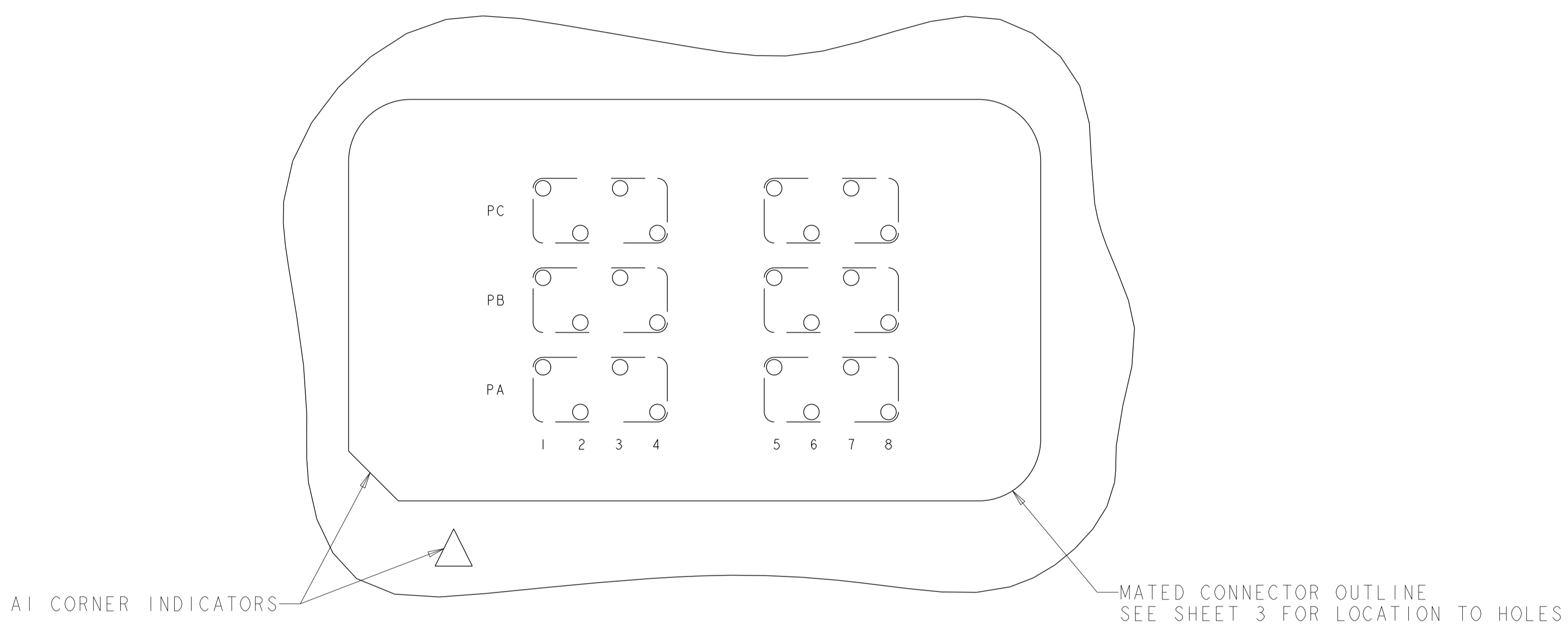
* SIZE 2 AND SIZE 3 ARE ALSO AVAILABLE

YES	MATTE Sn	5-2149521-1
	Sn/Pb	2149521-1
TOOLED	CONTACT TAIL PLATING	PART NUMBER

THIS DRAWING IS A CONTROLLED DOCUMENT.		DWN HAMNER 02NOV2010	TE Connectivity	
DIMENSIONS:		CHK D. TROUT 03NOV2010		
TOLERANCES UNLESS OTHERWISE SPECIFIED:		APVD J. FEDDER 03NOV2010		
mm	0 PLC ±	NAME	RECEPTACLE ASSEMBLY, HALF-WIDE, 6P, STRADA MESA MEZZANINE CONNECTOR	
	1 PLC ±0.13	PRODUCT SPEC	108-2375	
	2 PLC ±0.013	APPLICATION SPEC	114-13249	
	3 PLC ±	SIZE	A100779C=2149521	
	4 PLC ±	CAGE CODE	DRAWING NO	
	ANGLES ±	RESTRICTED TO		
	FINISH	WEIGHT		
MATERIAL		Customer Drawing	SCALE 6:1	SHEET 1 OF 3
				REV A

THIS DRAWING IS UNPUBLISHED. RELEASED FOR PUBLICATION 20
 © COPYRIGHT 20 BY - ALL RIGHTS RESERVED.

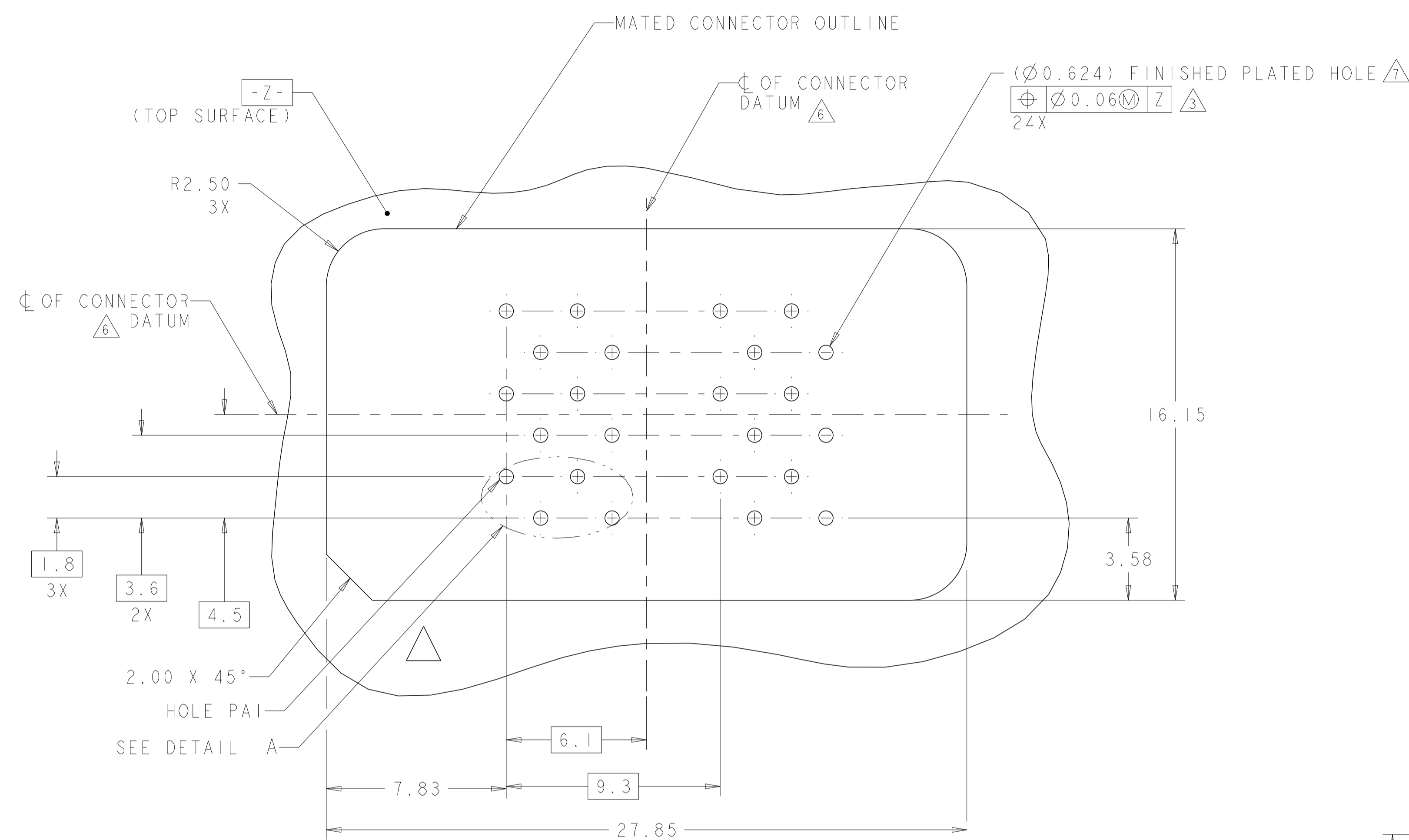
LOC	DIST	REVISIONS					
		P	LTN	DESCRIPTION	DATE	DWN	APVD
GP	00	-	-	SEE SHEET 1	-	-	-



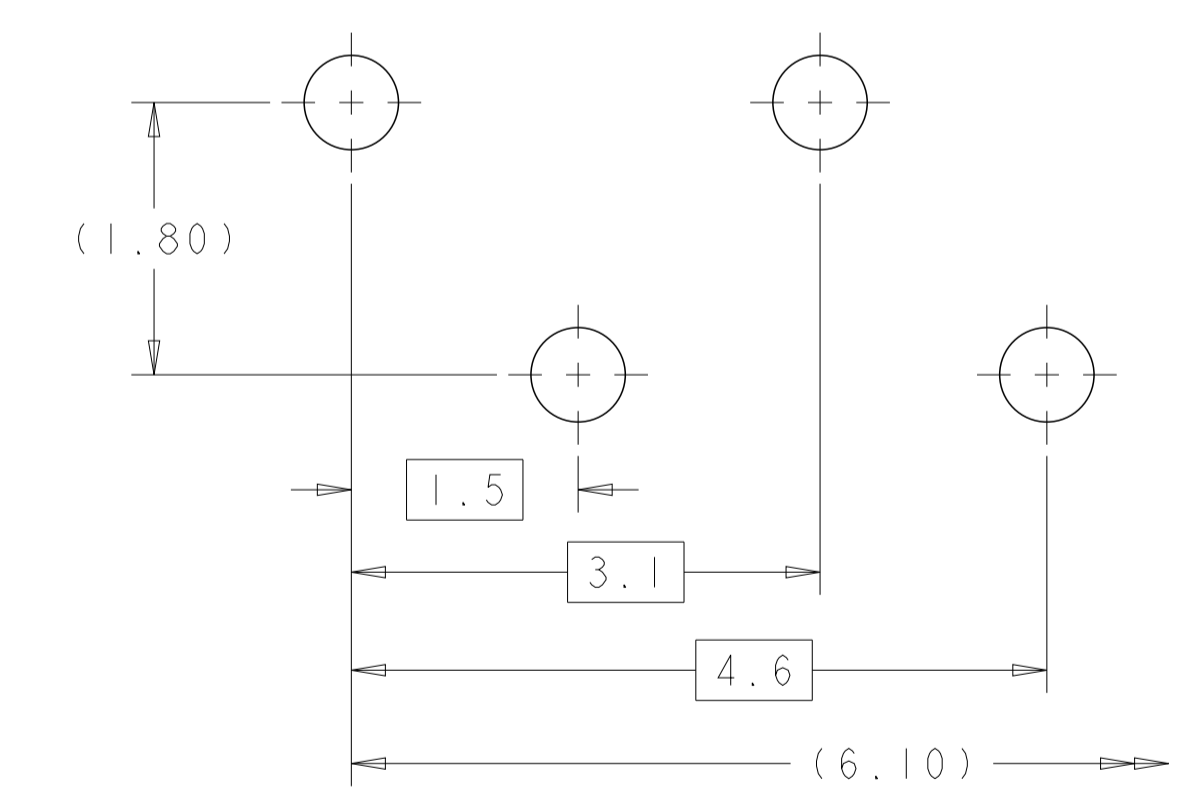
PCB LAYOUT AND PIN IDENTIFICATION
 SHOWN FROM CONNECTOR SIDE
 SCALE 7:1

THIS DRAWING IS A CONTROLLED DOCUMENT.		DWN HAMNER 02NOV2010	TE Connectivity
DIMENSIONS:		CHK D. TROUT 03NOV2010	
mm	TOLERANCES UNLESS OTHERWISE SPECIFIED:	APVD J. FEDDER 03NOV2010	NAME RECEPTACLE ASSEMBLY, HALF-WIDE, 6P, STRADA MESA MEZZANINE CONNECTOR
	0 PLC ± 1 PLC ± 2 PLC ±0.13 3 PLC ±0.013 4 PLC ± ANGLES ±1 FINISH -	PRODUCT SPEC 108-2375 APPLICATION SPEC 114-13249 WEIGHT -	SIZE CAGE CODE DRAWING NO A100779C=2149521 RESTRICTED TO -
MATERIAL		Customer Drawing	SCALE 6:1 SHEET 2 OF 3 REV A


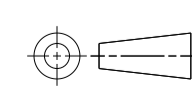
LOC		DIST		REVISIONS			
P	LYN	DESCRIPTION	DATE	OWN	APVD		
-	-	SEE SHEET 1	-	-	-		



PCB HOLE PATTERN
 SHOWN FROM CONNECTOR SIDE
 SCALE 7:1



DETAIL A
 6X
 SCALE 20:1

THIS DRAWING IS A CONTROLLED DOCUMENT.		DWN HAMNER 02NOV2010	 TE Connectivity
		CHK D. TROUT 03NOV2010	
DIMENSIONS:		APVD J. FEDDER 03NOV2010	NAME
mm	TOLERANCES UNLESS OTHERWISE SPECIFIED:	PRODUCT SPEC	RECEPTACLE ASSEMBLY, HALF-WIDE, 6P, STRADA MESA MEZZANINE CONNECTOR
	0 PLC ±	108-2375	SIZE
	1 PLC ±0.13	APPLICATION SPEC	CAGE CODE
	2 PLC ±0.013	114-13249	DRAWING NO
	3 PLC ±	WEIGHT	RESTRICTED TO
	4 PLC ±		A100779C=2149521
	ANGLES ±1	Customer Drawing	SCALE 6:1 SHEET 3 OF 3 REV A