



Chipsmall Limited consists of a professional team with an average of over 10 year of expertise in the distribution of electronic components. Based in Hongkong, we have already established firm and mutual-benefit business relationships with customers from,Europe,America and south Asia,supplying obsolete and hard-to-find components to meet their specific needs.

With the principle of “Quality Parts,Customers Priority,Honest Operation,and Considerate Service”,our business mainly focus on the distribution of electronic components. Line cards we deal with include Microchip,ALPS,ROHM,Xilinx,Pulse,ON,Everlight and Freescale. Main products comprise IC,Modules,Potentiometer,IC Socket,Relay,Connector.Our parts cover such applications as commercial,industrial, and automotives areas.

We are looking forward to setting up business relationship with you and hope to provide you with the best service and solution. Let us make a better world for our industry!



## Contact us

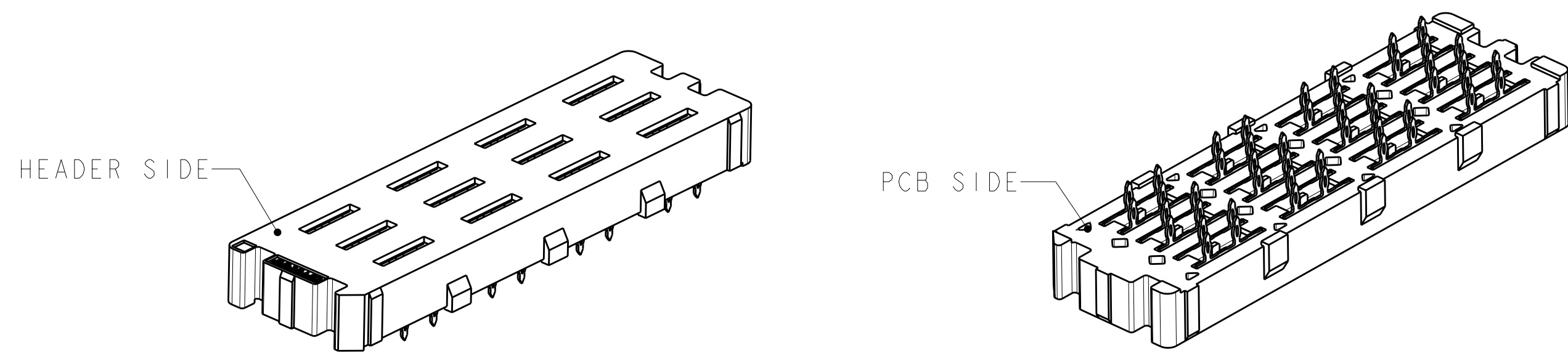
Tel: +86-755-8981 8866 Fax: +86-755-8427 6832

Email & Skype: info@chipsmall.com Web: www.chipsmall.com

Address: A1208, Overseas Decoration Building, #122 Zhenhua RD., Futian, Shenzhen, China

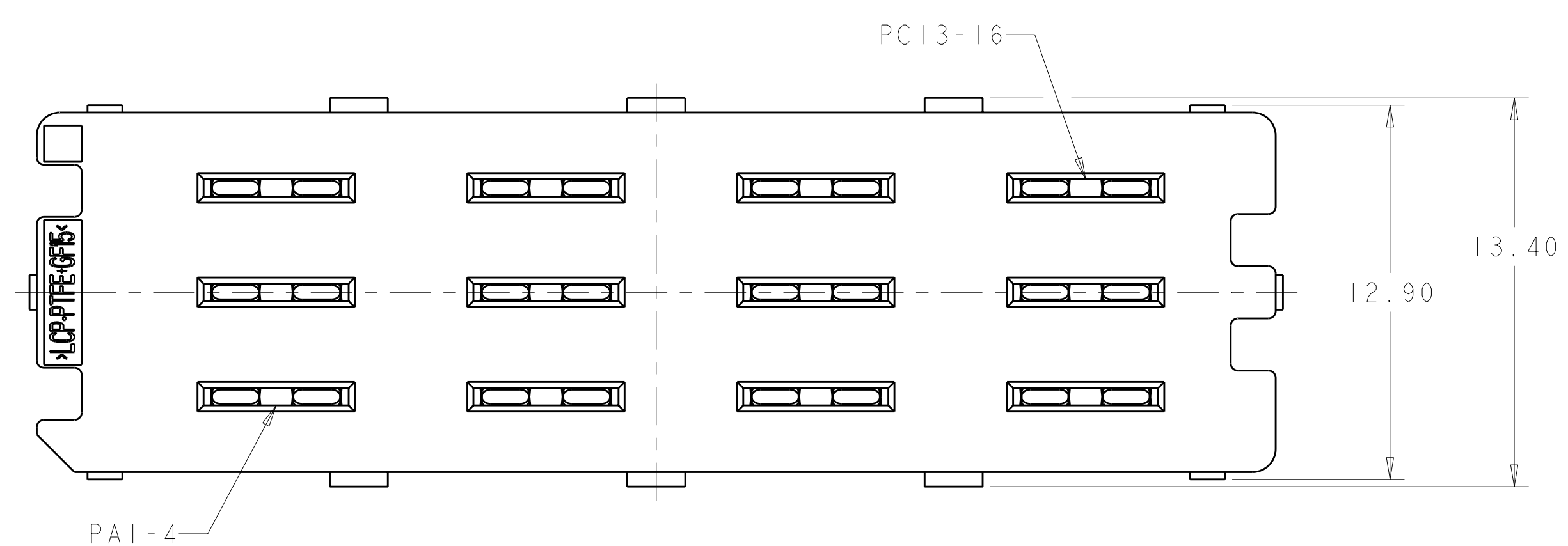


LOC	DIST	REVISIONS			
GP	00	REV	DATE	DWN	APVD
		2	REVISÉ	12 JAN 2011	WS MH
		3	REVISÉ	14 MAY 2012	REH DT



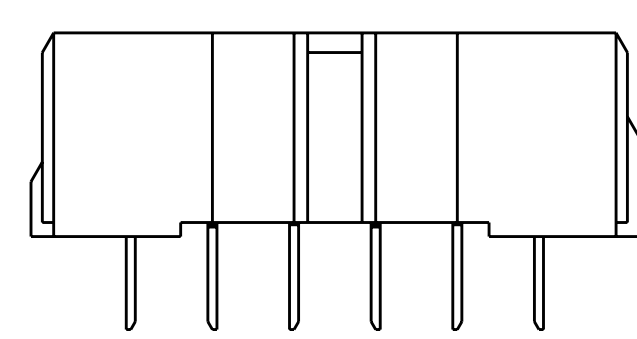
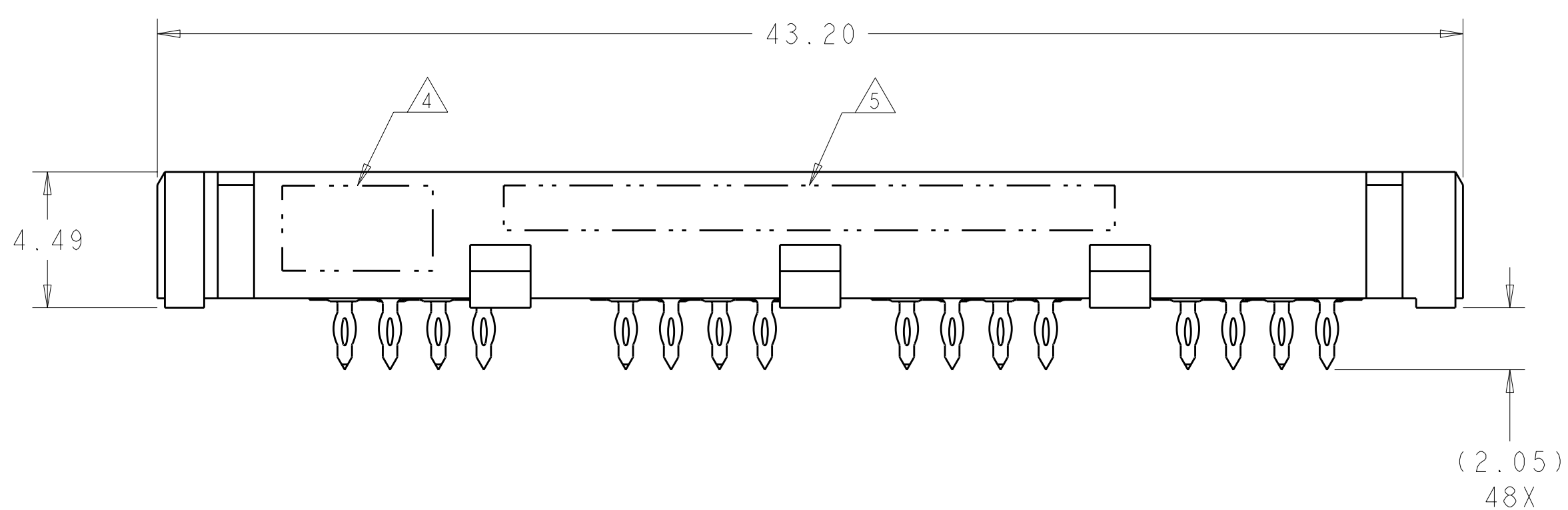
ISOMETRIC VIEWS  
SCALE 3:1

- 1 MATERIAL:  
HOUSING: THERMOPLASTIC, FLAMMABILITY RATING UL94 V-0  
CONTACT: COPPER ALLOY
- 2. CONFORMS TO THE REQUIREMENTS OF TE PRODUCT SPECIFICATION, 108-2375; BASED ON TELCORDIA GR-1217-CORE FOR SYSTEM QUALITY LEVEL III, APPLICATIONS IN CONTROLLED ENVIRONMENTS (CENTRAL OFFICE).  
SEE TE PRODUCT SPECIFICATION 108-2375 FOR TEST SEQUENCES.
- 3 SPECIFIED POSITIONAL TOLERANCE DEFINES HOLE TO HOLE LOCATION WITHIN HOLE PATTERN. POSITIONAL TOLERANCE OF HOLE PATTERN TO FIDUCIAL MARKS OR PCB DATUMS SHALL BE DEFINED BY CUSTOMER.
- 4 AREA RESERVED FOR TE CONNECTIVITY LOGO.
- 5 AREA RESERVED FOR PART NUMBER (X-XXXXXX-X) AND DATE CODE (YYWW).
- 6 USE CENTER LINES INDICATED ON PCB HOLE PATTERN TO ESTABLISH ALIGNMENT BETWEEN HEADER AND RECEPTACLE BOARDS.
- 7 PLATED THROUGH HOLE REQUIREMENTS:  
HOLE SIZE PRIOR TO PLATING =  $\varnothing 0.700 \pm 0.025$   
COPPER PLATING THICKNESS =  $0.038 \pm 0.013$   
CALCULATED FINISHED HOLE SIZE =  $\varnothing 0.624 \pm 0.051$   
THESE DIMENSIONS APPLY TO THE TOP 1.50mm OF THE PCB THICKNESS FROM THE CONNECTOR MOUNTING SIDE.



**SIZE 2 HALF-WIDE \***  
**12 POWER CONTACTS**

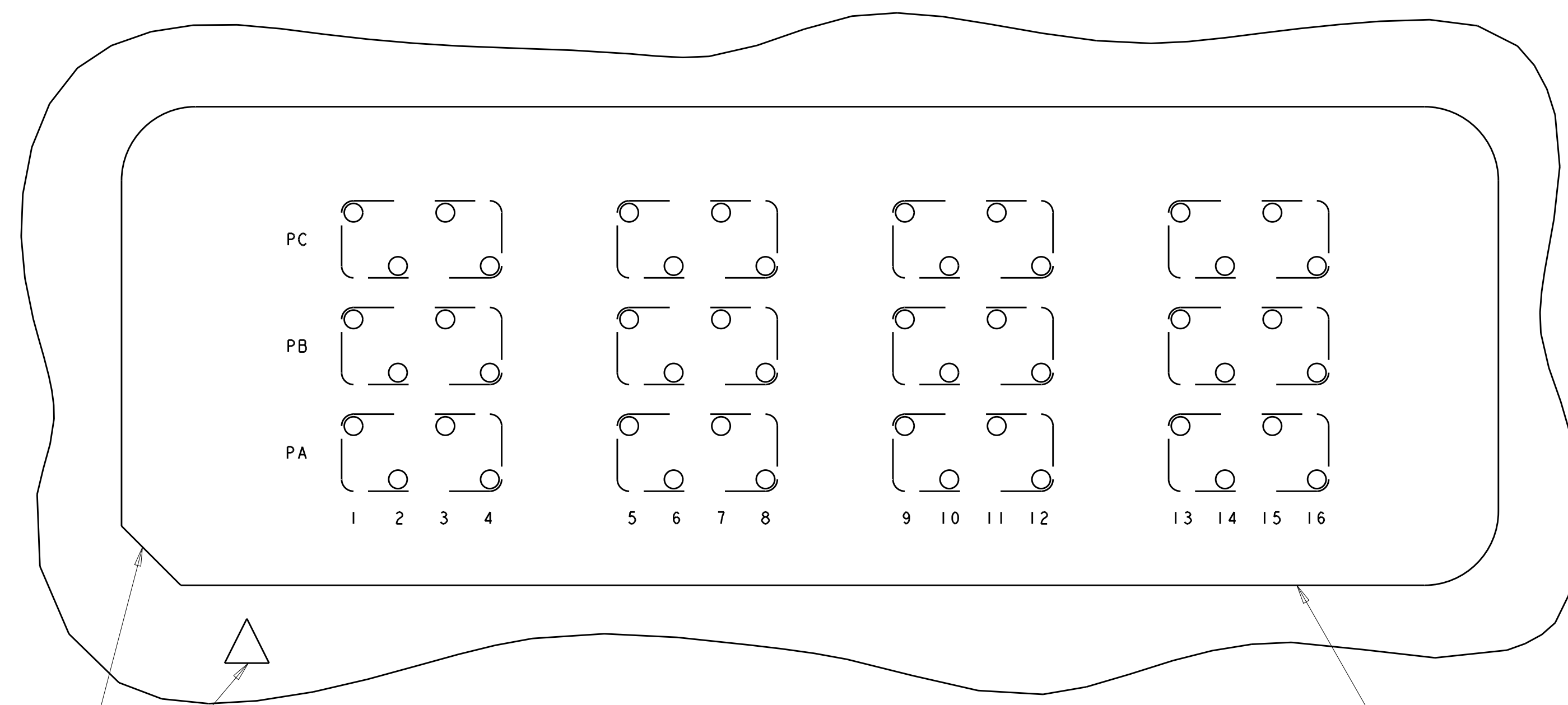
\* SIZE 1 AND SIZE 3 ARE ALSO AVAILABLE



THIS PRODUCT HAS NOT COMPLETED VALIDATION AND QUALIFICATION TESTING

THIS DRAWING IS A CONTROLLED DOCUMENT.		DWN HAMNER 28OCT2010	NAME	RECEPTACLE ASSEMBLY, HALF-WIDE, 12P, STRADA MESA MEZZANINE CONNECTOR
DIMENSIONS: mm		CHK D. TROUT 27OCT2010	PRODUCT SPEC	108-2375
TOLERANCES UNLESS OTHERWISE SPECIFIED:		APVD J. FEDDER 27OCT2010	APPLICATION SPEC	114-13249
9 PLC ±		SIZE CAGE CODE DRAWING NO RESTRICTED TO		
1 PLC ±		A100779C=2149531		
2 PLC ±0.13		WEIGHT		
3 PLC ±0.013		CUSTOMER DRAWING		
4 PLC ±		SCALE 6:1 SHEET 1 OF 3 REV 3		
ANGLES ±				
FINISH #1				

LOC	DIST	REVISIONS			
GP	00	REV	DATE	BY	APPD
-	-	1	SEE SHEET 1	-	-



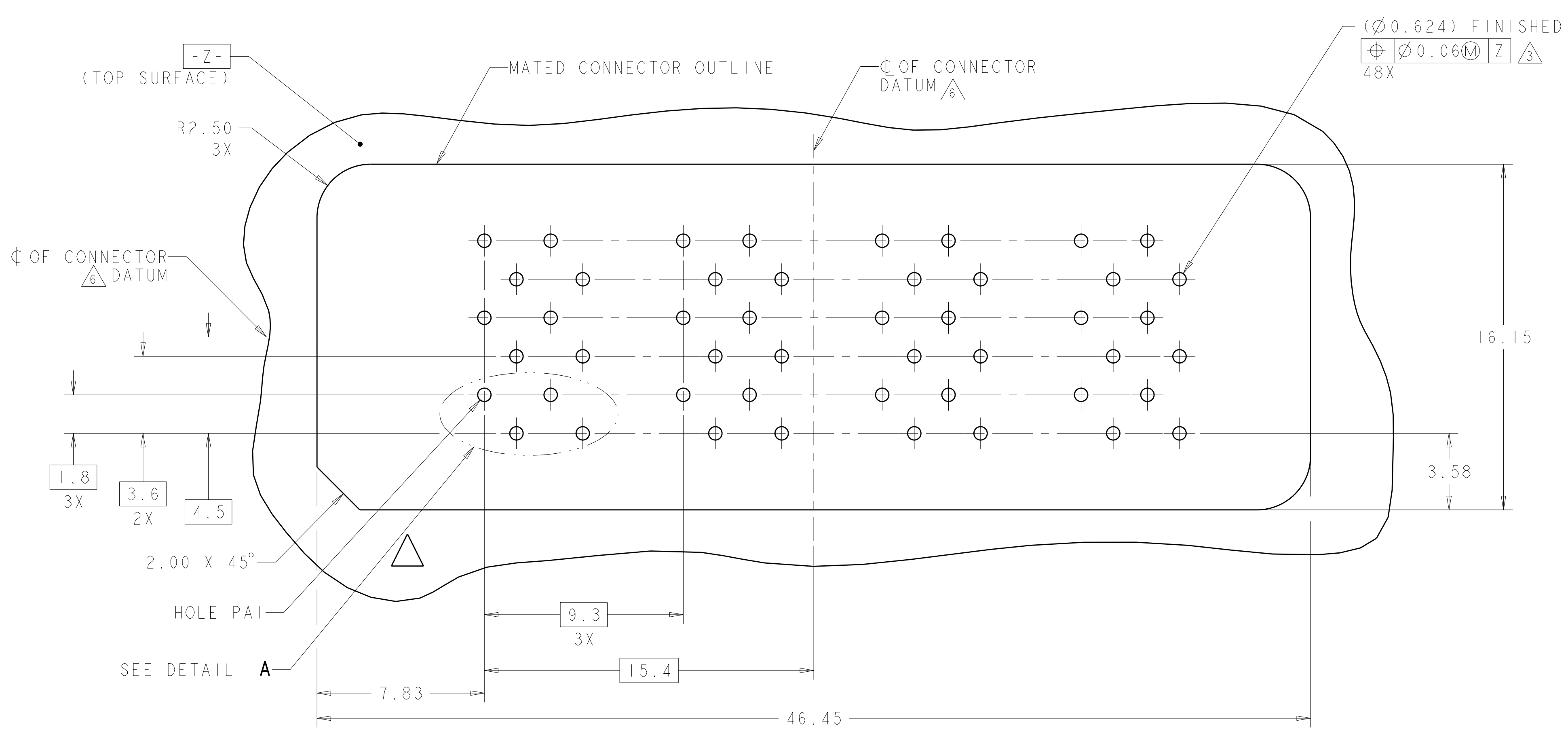
MATED CONNECTOR OUTLINE  
 SEE SHEET 3 FOR LOCATION TO HOLES

A1 CORNER  
 INDICATORS.

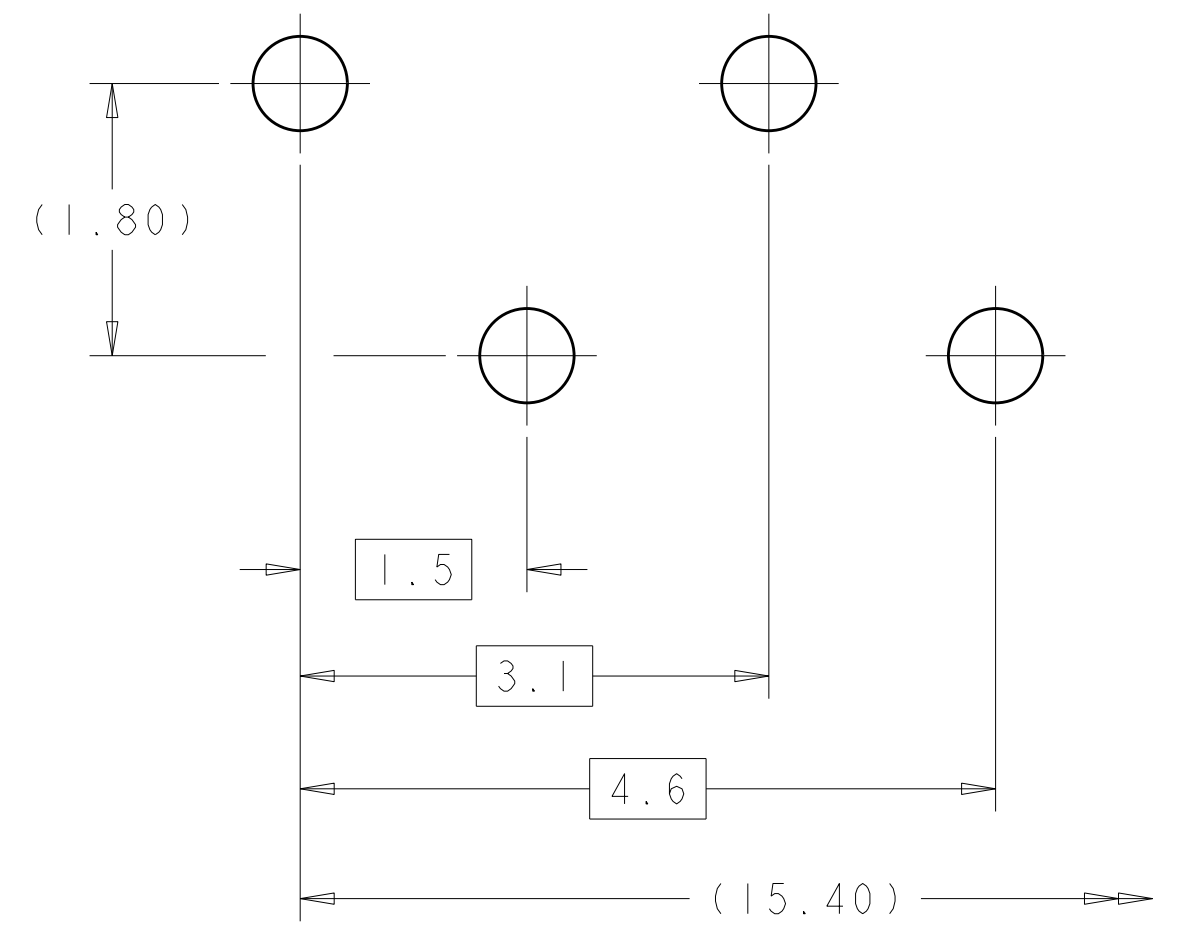
**PCB LAYOUT AND PIN IDENTIFICATION**  
 SHOWN FROM CONNECTOR SIDE  
 SCALE 7:1

THIS DRAWING IS A CONTROLLED DOCUMENT.		DWN HAMNER	28OCT2010		TE Connectivity
DIMENSIONS: mm		CHK D. TROUT	27OCT2010		
TOLERANCES UNLESS OTHERWISE SPECIFIED:		APVD FEDEER	27OCT2010	NAME RECEPTACLE ASSEMBLY, HALF-WIDE, 12P, STRADA MESA MEZZANINE CONNECTOR	
9 PLC ±		PRODUCT SPEC		SIZE CAGE CODE DRAWING NO RESTRICTED TO	
1 PLC ±		108-2375		A100779C=2149531	
3 PLC ±0.13		APPLICATION SPEC		SCALE 6:1 SHEET 2 OF 3 REV 3	
4 PLC ±		114-13249			
ANGLES ±		WEIGHT			
FINISH ±#1		CUSTOMER DRAWING			

LOC	DIST	REV	DATE	BY	APPD
GP	00				
REVISIONS					



**PCB HOLE PATTERN**  
SHOWN FROM CONNECTOR SIDE  
SCALE 7:1



**DETAIL A**  
12X  
SCALE 20:1

THIS DRAWING IS A CONTROLLED DOCUMENT.		DWN: HAMNER 28OCT2010	TE Connectivity
DIMENSIONS: mm		CHK: D. TROUT 27OCT2010	
TOLERANCES UNLESS OTHERWISE SPECIFIED:		APVD: FEEDER 27OCT2010	NAME: RECEPTACLE ASSEMBLY, HALF-WIDE, 12P, STRADA MESA MEZZANINE CONNECTOR
9 PLC ±	PRODUCT SPEC	108-2375	SIZE: CAGE CODE: DRAWING NO: A100779C=2149531
2 PLC ±0.13	APPLICATION SPEC	114-13249	RESTRICTED TO
5 PLC ±0.013	WEIGHT		
4 PLC ±	CUSTOMER DRAWING	SCALE: 6:1	SHEET: 3 OF 3
ANGLES ±			REV: 3