



Chipsmall Limited consists of a professional team with an average of over 10 year of expertise in the distribution of electronic components. Based in Hongkong, we have already established firm and mutual-benefit business relationships with customers from,Europe,America and south Asia,supplying obsolete and hard-to-find components to meet their specific needs.

With the principle of “Quality Parts,Customers Priority,Honest Operation,and Considerate Service”,our business mainly focus on the distribution of electronic components. Line cards we deal with include Microchip,ALPS,ROHM,Xilinx,Pulse,ON,Everlight and Freescale. Main products comprise IC,Modules,Potentiometer,IC Socket,Relay,Connector.Our parts cover such applications as commercial,industrial, and automotives areas.

We are looking forward to setting up business relationship with you and hope to provide you with the best service and solution. Let us make a better world for our industry!



Contact us

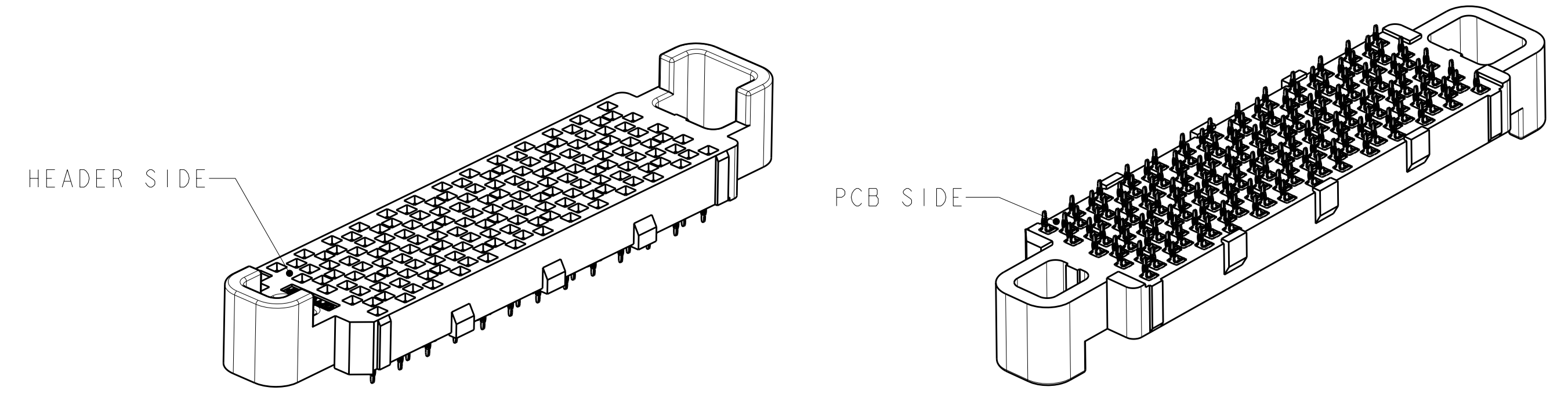
Tel: +86-755-8981 8866 Fax: +86-755-8427 6832

Email & Skype: info@chipsmall.com Web: www.chipsmall.com

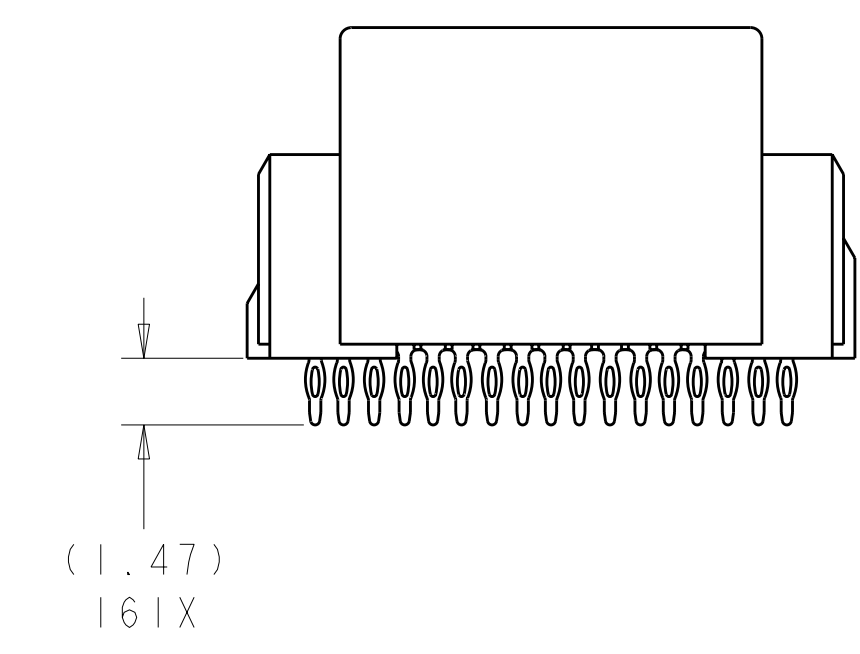
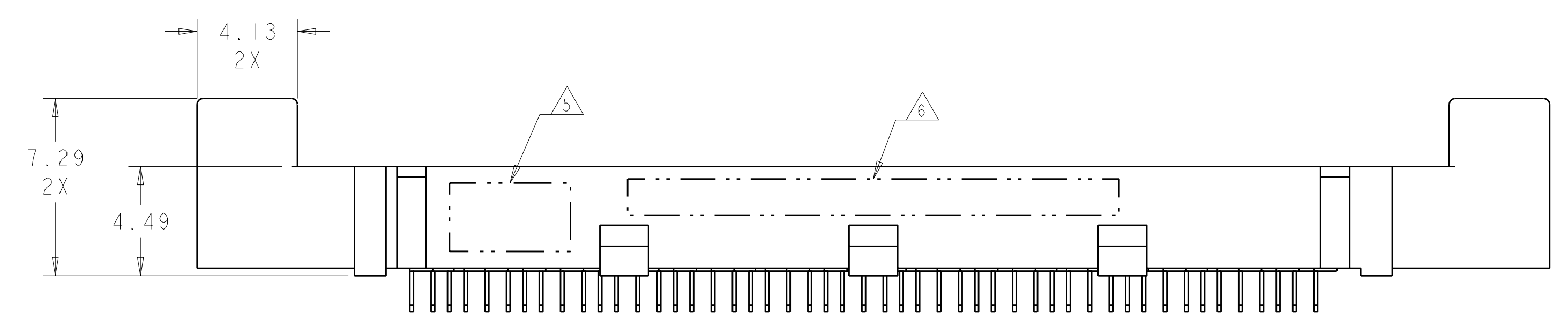
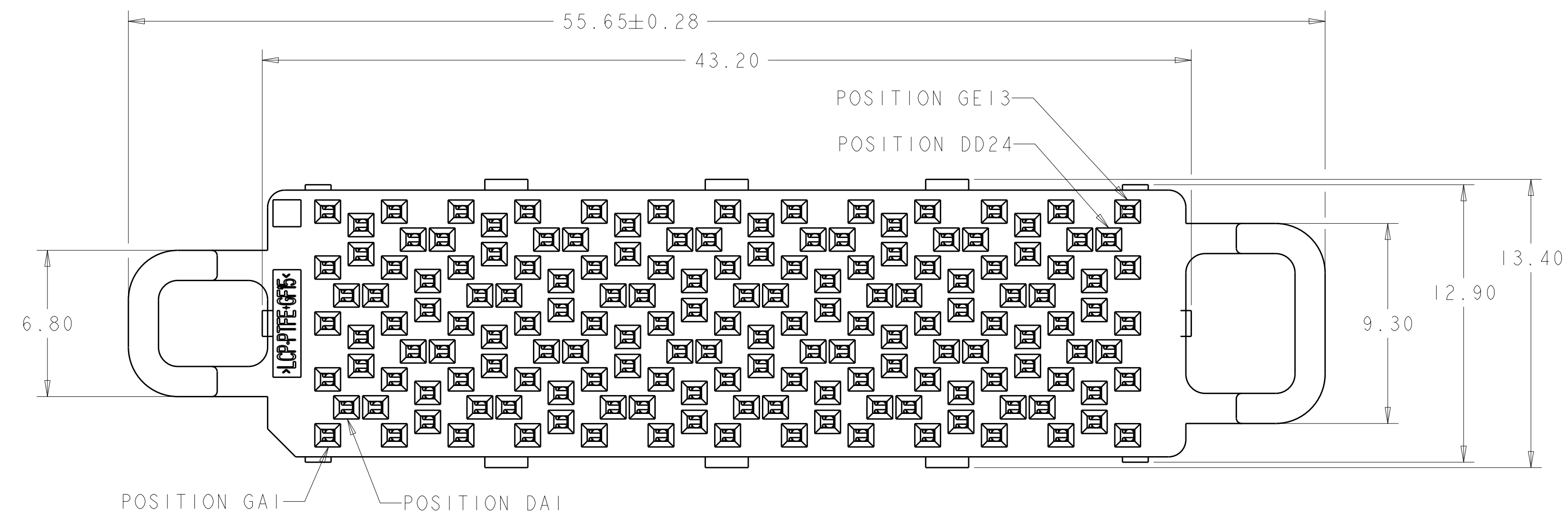
Address: A1208, Overseas Decoration Building, #122 Zhenhua RD., Futian, Shenzhen, China



LOC	DIST	REVISIONS			
GP	00	REV	DATE	BY	APPV
		2	REVIS	12JAN2011	WS MH
		3	REVIS	11MAY2012	REH DT



ISOMETRIC VIEWS
SCALE 3:1



- 1 MATERIAL:
HOUSING: THERMOPLASTIC, FLAMMABILITY RATING UL94 V-0
CONTACT: COPPER ALLOY
- 2. CONFORMS TO THE REQUIREMENTS OF TE PRODUCT SPECIFICATION, 108-2375; BASED ON TELCORDIA GR-1217-CORE FOR SYSTEM QUALITY LEVEL III, APPLICATIONS IN CONTROLLED ENVIRONMENTS (CENTRAL OFFICE).
SEE TE PRODUCT SPECIFICATION 108-2375 FOR TEST SEQUENCES.
- 3 ROWS GA THRU GE (SHOWN DARKENED) ARE TYPICALLY USED AS GROUNDS.
- 4 SPECIFIED POSITIONAL TOLERANCE DEFINES HOLE TO HOLE LOCATION WITHIN HOLE PATTERN. POSITIONAL TOLERANCE OF HOLE PATTERN TO FIDUCIAL MARKS OR PCB DATUMS SHALL BE DEFINED BY CUSTOMER.
- 5 AREA RESERVED FOR TE CONNECTIVITY LOGO.
- 6 AREA RESERVED FOR PART NUMBER (X-XXXXXX-X) AND DATE CODE (YYWW).
- 7 USE CENTERLINES INDICATED ON PCB HOLE PATTERN TO ESTABLISH ALIGNMENT BETWEEN HEADER AND RECEPTACLE BOARDS.
- 8 PLATED THROUGH HOLE REQUIREMENTS:
HOLE SIZE PRIOR TO PLATING = $\varnothing 0.420 \pm 0.013$
COPPER PLATING THICKNESS = 0.038 ± 0.013
CALCULATED FINISHED HOLE SIZE = $\varnothing 0.344 \pm 0.039$
THESE DIMENSIONS APPLY TO THE TOP 1.25mm OF THE PCB THICKNESS FROM THE CONNECTOR MOUNTING SIDE.

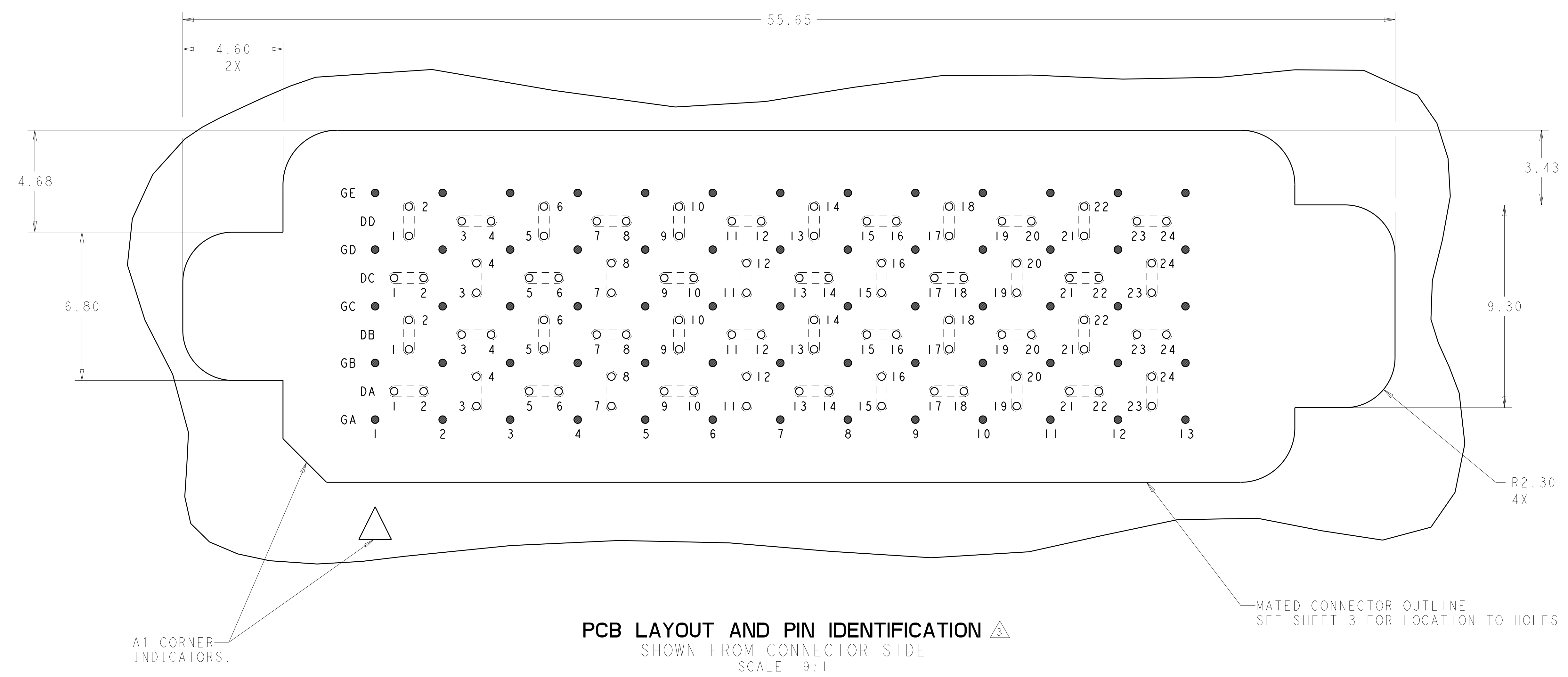
**SIZE 2 HALF-WIDE W/GUIDE POSTS *
48 DIFFERENTIAL PAIRS + GROUNDS
161 TOTAL SIGNAL CONTACTS**

* SIZE 1 AND SIZE 3 ARE ALSO AVAILABLE

THIS PRODUCT HAS NOT COMPLETED VALIDATION AND QUALIFICATION TESTING

THIS DRAWING IS A CONTROLLED DOCUMENT.		OWN: HAMNER 25SEP2010	5-2149781-1	
DIMENSIONS: mm		CHK: D. TROUT 29SEP2010	Sn/Pb 2149781-1	
TOLERANCES UNLESS OTHERWISE SPECIFIED:		APVD: FEDDER 29SEP2010	PART NUMBER	
9 PLC ±		TE Connectivity		
1 PLC ±0.13		RECEPTACLE ASSEMBLY, HALF-WIDE, 48/161, STRADA MESA MEZZANINE CONNECTOR		
3 PLC ±0.013		SIZE: CAGE CODE: DRAWING NO: RESTRICTED TO		
4 PLC ±		A100779C=2149781		
ANGLES ±		SCALE: 6:1 SHEET 1 OF 3 REV 3		
FINISH #1		CUSTOMER DRAWING		

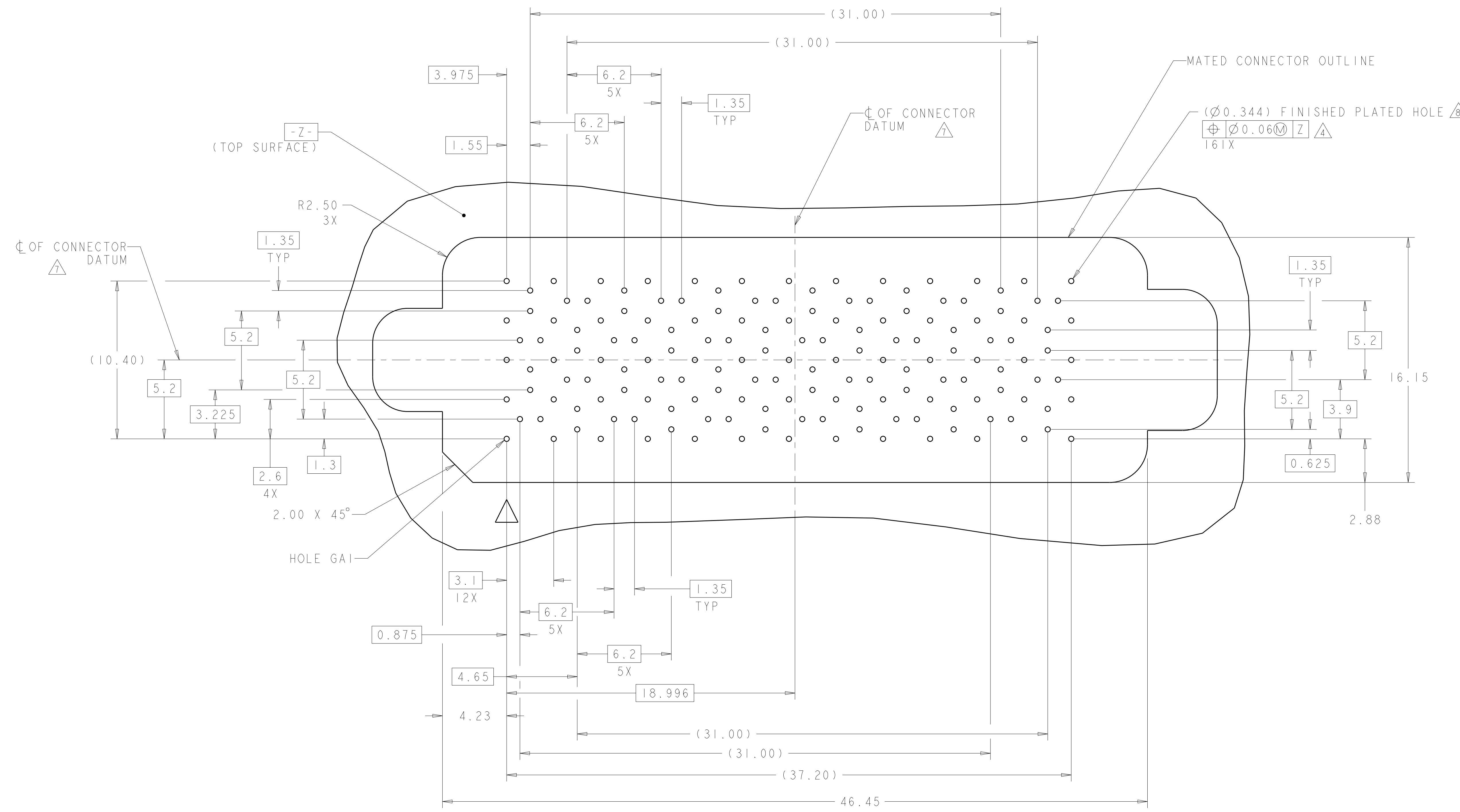
LOC	DIST	REVISIONS			
P	LTG	DESCRIPTION	DATE	DWN	APVD
GP	00	SEE SHEET 1	-	-	-



PCB LAYOUT AND PIN IDENTIFICATION
 SHOWN FROM CONNECTOR SIDE
 SCALE 9:1

THIS DRAWING IS A CONTROLLED DOCUMENT.		DWN HAMNER 25SEP2010	TE Connectivity
DIMENSIONS: mm		CHK D. TROUT 29SEP2010	
TOLERANCES UNLESS OTHERWISE SPECIFIED:		APVD J. FEDDER 29SEP2010	NAME RECEPTACLE ASSEMBLY, HALF-WIDE, 48/161, STRADA MESA MEZZANINE CONNECTOR
9 PLC ±		PRODUCT SPEC 108-2375	SIZE CAGE CODE DRAWING NO RESTRICTED TO
2 PLC ±0.13		APPLICATION SPEC 114-13249	A100779C=2149781
3 PLC ±0.013		WEIGHT	SCALE 6:1 SHEET 2 OF 3 REV 3
4 PLC ±		CUSTOMER DRAWING	
ANGLES ±#1			
FINISH			

LOC	DIST	REV	DATE	BY	APPD
GP	00				
REVISIONS			DESCRIPTION	DATE	BY
			SEE SHEET 1		



PCB HOLE PATTERN
 SHOWN FROM CONNECTOR SIDE
 SCALE 7:1

THIS DRAWING IS A CONTROLLED DOCUMENT.		DWN HAMNER 25SEP2010	TE Connectivity
DIMENSIONS: mm		CHK D. TROUT 29SEP2010	
TOLERANCES UNLESS OTHERWISE SPECIFIED:		APVD J. FEDDER 29SEP2010	NAME RECEPTACLE ASSEMBLY, HALF-WIDE, 48/161, STRADA MESA MEZZANINE CONNECTOR
0 PLC ± 1 PLC ±0.13 2 PLC ±0.013 3 PLC ± 4 PLC ± ANGLES ±1		PRODUCT SPEC 108-2375	SIZE CAGE CODE DRAWING NO. A1100779C=2149781
MATERIAL		APPLICATION SPEC 114-13249	RESTRICTED TO
FINISH		WEIGHT	SCALE 6:1 SHEET 3 OF 3 REV 3
CUSTOMER DRAWING			