



Chipsmall Limited consists of a professional team with an average of over 10 year of expertise in the distribution of electronic components. Based in Hongkong, we have already established firm and mutual-benefit business relationships with customers from,Europe,America and south Asia,supplying obsolete and hard-to-find components to meet their specific needs.

With the principle of "Quality Parts,Customers Priority,Honest Operation,and Considerate Service",our business mainly focus on the distribution of electronic components. Line cards we deal with include Microchip,ALPS,ROHM,Xilinx,Pulse,ON,Everlight and Freescale. Main products comprise IC,Modules,Potentiometer,IC Socket,Relay,Connector.Our parts cover such applications as commercial,industrial, and automotives areas.

We are looking forward to setting up business relationship with you and hope to provide you with the best service and solution. Let us make a better world for our industry!



Contact us

Tel: +86-755-8981 8866 Fax: +86-755-8427 6832

Email & Skype: info@chipsmall.com Web: www.chipsmall.com

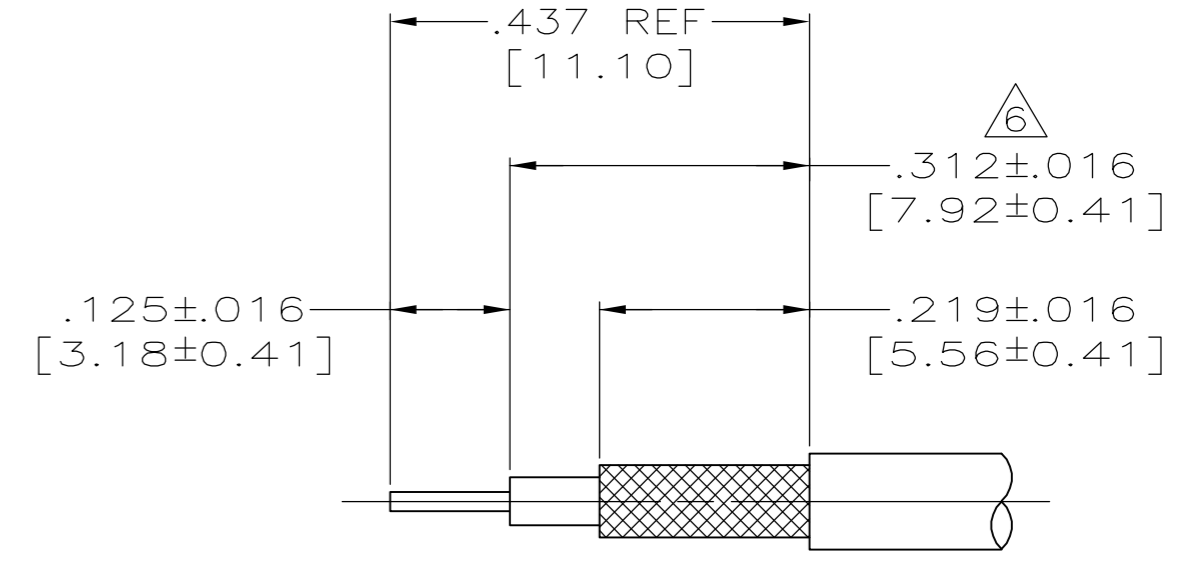
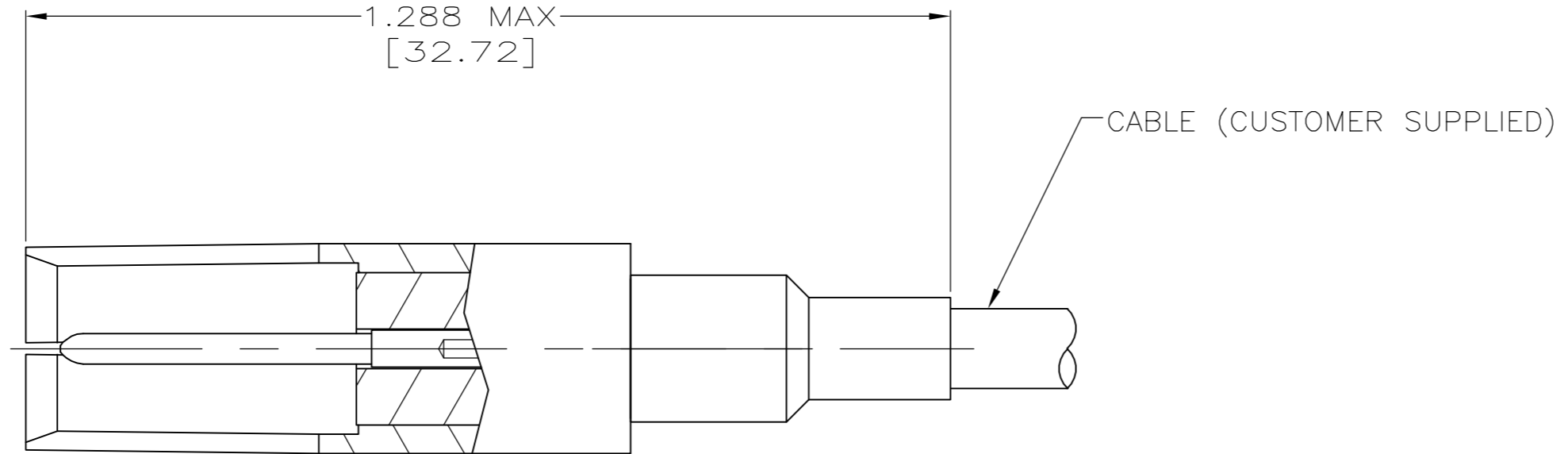
Address: A1208, Overseas Decoration Building, #122 Zhenhua RD., Futian, Shenzhen, China



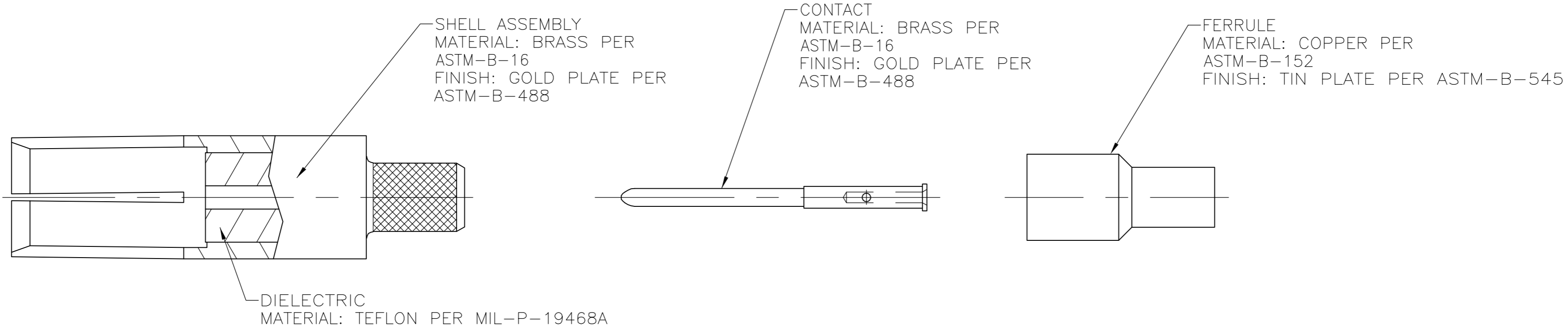
THIS DRAWING IS UNPUBLISHED. RELEASED FOR PUBLICATION - N/A .
 © COPYRIGHT N/A BY TYCO ELECTRONICS CORPORATION. ALL RIGHTS RESERVED.

LOC	DIST	REVISIONS			
P	LTR	DESCRIPTION	DATE	DWN	APVD
DF	X0	A	RELEASED PER 0H14-0244-05	05-05	AA RG

ASSEMBLED VIEW



RECOMMENDED STRIP LENGTH
SCALE: N.T.S.



- FOR USE WITH RG-179/U OR 187/U CABLE.
- FERRULE CRIMPING TOOL: AMP TOOL 220066-1, CRIMP C.
- CONTACT CRIMPING TOOL: M22520/2-01 OR AMP TOOL NUMBER 1-601966-6, SETTING NUMBER 5. DANIELS POSITIONER PART NO. K345 OR AMP TOOL NO. 1-601966-6.
- SEE I.S.2348.
- DANIELS MANUFACTURING CORP
2266 FRANKLIN ROAD
BLOOMFIELD HILLS, MI 48013

- OUTER JACKET OF CABLE MUST BE TRIMMED TO ALLOW PROPER INTER-PIN CONTACT LOCATION AFTER FERRULE CRIMP OPERATION.
- PARTS SHIPPED UNASSEMBLED AND CABLE IS SUPPLIED BY CUSTOMER.

5-225791-4
PART NO.

THIS DRAWING IS A CONTROLLED DOCUMENT.		DWN A.ANDERSON 03-MAY-05	 Tyco Electronics Corporation Harrisburg, Pa 17105-3608												
DIMENSIONS: INCHES		CHK R.GROSS 03-MAY-05													
TOLERANCES UNLESS OTHERWISE SPECIFIED:		APVD R.GROSS 03-MAY-05	NAME												
<table border="0"> <tr><td>0 PLC</td><td>± -</td></tr> <tr><td>1 PLC</td><td>± -</td></tr> <tr><td>2 PLC</td><td>± -</td></tr> <tr><td>3 PLC</td><td>± -</td></tr> <tr><td>4 PLC</td><td>± -</td></tr> <tr><td>ANGLES</td><td>± -</td></tr> </table>		0 PLC	± -	1 PLC	± -	2 PLC	± -	3 PLC	± -	4 PLC	± -	ANGLES	± -	PRODUCT SPEC	CONNECTOR, COAXIAL, RF SOCKET SIZE 5, ARINC (HEX CRIMP)
0 PLC	± -														
1 PLC	± -														
2 PLC	± -														
3 PLC	± -														
4 PLC	± -														
ANGLES	± -														
MATERIAL SEE CALLOUTS		FINISH SEE CALLOUTS	APPLICATION SPEC												
MATERIAL SEE CALLOUTS		FINISH SEE CALLOUTS	WEIGHT -												
MATERIAL SEE CALLOUTS		FINISH SEE CALLOUTS	CUSTOMER DRAWING												
MATERIAL SEE CALLOUTS		FINISH SEE CALLOUTS	SCALE 5:1 SHEET 1 OF 1 REV A												
MATERIAL SEE CALLOUTS		FINISH SEE CALLOUTS	RESTRICTED TO												
MATERIAL SEE CALLOUTS		FINISH SEE CALLOUTS	SIZE CAGE CODE DRAWING NO												
MATERIAL SEE CALLOUTS		FINISH SEE CALLOUTS	A2 00779 C=5-225791-4												