



Chipsmall Limited consists of a professional team with an average of over 10 year of expertise in the distribution of electronic components. Based in Hongkong, we have already established firm and mutual-benefit business relationships with customers from,Europe,America and south Asia,supplying obsolete and hard-to-find components to meet their specific needs.

With the principle of "Quality Parts,Customers Priority,Honest Operation,and Considerate Service",our business mainly focus on the distribution of electronic components. Line cards we deal with include Microchip,ALPS,ROHM,Xilinx,Pulse,ON,Everlight and Freescale. Main products comprise IC,Modules,Potentiometer,IC Socket,Relay,Connector.Our parts cover such applications as commercial,industrial, and automotives areas.

We are looking forward to setting up business relationship with you and hope to provide you with the best service and solution. Let us make a better world for our industry!



Contact us

Tel: +86-755-8981 8866 Fax: +86-755-8427 6832

Email & Skype: info@chipsmall.com Web: www.chipsmall.com

Address: A1208, Overseas Decoration Building, #122 Zhenhua RD., Futian, Shenzhen, China



4

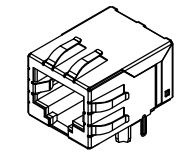
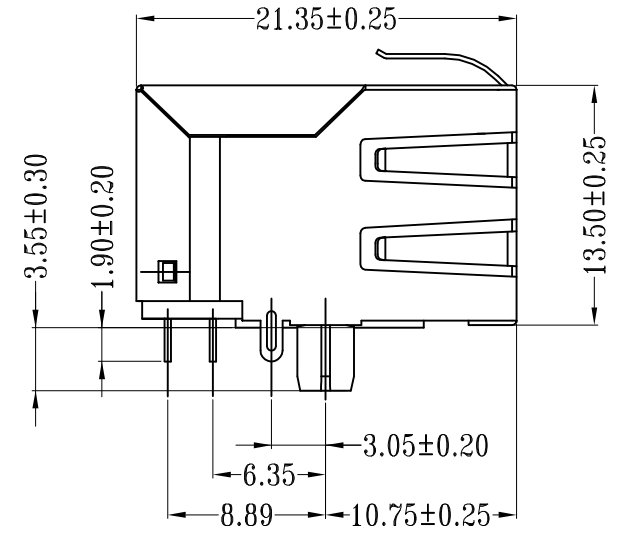
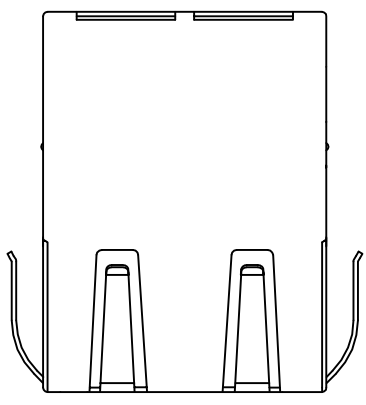
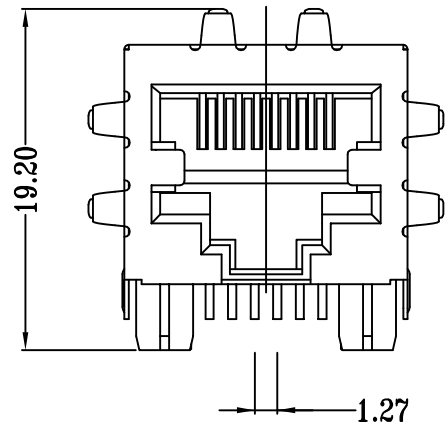
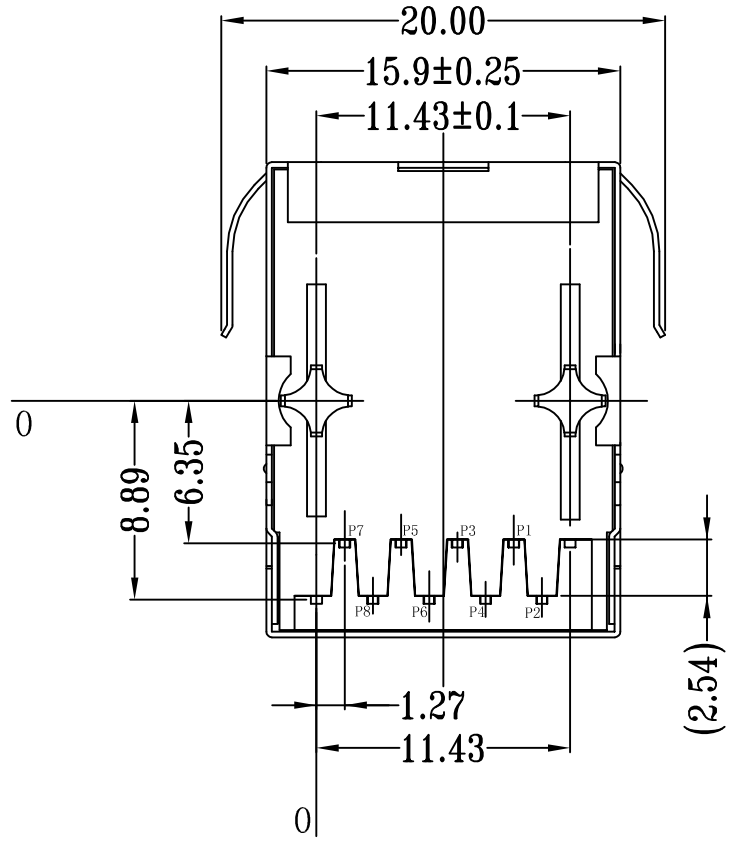
3

2

1

THIS DRAWING IS UNPUBLISHED
 RELEASED FOR PUBLICATION - ,2017.
 © COPYRIGHT 2013 By TE CONNECTIVITY ALL RIGHTS RESERVED.

REVISIONS				
P	LTR	DESCRIPTION	DATE	APVD
	A1	COMPILE THE PACKAGING SPECIFICATION	23DEC2016	GCM MF



1:1

- 1 CONNECTOR MATERIAL:
 HOUSING: LCP BLACK UL94 V-0
 INSERT: LCP BLACK UL94 V-0
 SHIELD: BRASS
 SHIELD PLATING: NICKEL
 CONTACT: COPPER ALLOY
 CONTACT PLATING: SELECTIVE GOLD, 0.76 μm(30 μ inch) MIN. IN CONTACT AREA
 OVER MIN. 1.27μm (50μinch) NICKEL
 SOLDER PIN PLATING: 3.05μm (120μinch) TIN OVER 1.02μm (40μinch) NICKEL OVER ALL
 SHIELDING PIN PLATING: NICKEL
- 2 PIN NOT ELECTRICALLY CONNECTED MAYBE OMITTED SEE ELECTRICAL DRAWING FOR OMITTED PINS
- 3 RJ45 CAVITIES CONFORM TO FCC RULES AND REGULATION PART 68.
- 4 THE PART IS RECOMMENDED FOR REFLOW SOLDERING PROCESS PEAK SOLDERING:TEMPERATURE MAX. 260° C , MAX.10s
- 5 OPERATING TEMPERATURE T = -40° C TO +85° C.
- 6 STORAGE TEMPERATURE T = -40° C TO +85° C.
- 7 UNLESS OTHERWISE SPECIFIED, SEE TABLE FOR ALL DIMENSIONS TOLERANCES
- 8. JACK CONFIGURATION: 1 x 1
 TAB DIRECTION: DOWN
- 9. PACKAGING: TRAY ACCORDING TO PACKAGING SPECIFICATION 107-18116



TABLE OF TOLERANCE (mm)	
RANGE	TOLERANCE
0-10	±0.15
>10-40	±0.25
>40-70	±0.30
>70	±0.40

THIS DRAWING IS A CONTROLLED DOCUMENT.

DIMENSIONS: mm	TOLERANCES UNLESS OTHERWISE SPECIFIED: 0 PLC ± - 1 PLC ± - 2 PLC ± - 3 PLC ± - 4 PLC ± - ANGLES ± -	
MATERIAL	FINISH	

DWN	02AUG2016
CHK	GANESH C M
APVD	02AUG2016
PRODUCT SPEC	FRANZ MUELLER
APPLICATION SPEC	MARTIN SZELAG
WEIGHT	108-94552
	114-94447
CUSTOMER DRAWING	

TE Connectivity			
NAME			
RJ45 JACK INT.MAG. 10/100 1x1			
SIZE	CAGE CODE	DRAWING NO	RESTRICTED TO
A3	00779	C=5-2301994-4	-
SCALE		SHEET	REV
3:1		1 of 3	A1

THIS DRAWING IS UNPUBLISHED

RELEASED FOR PUBLICATION - ,2017.

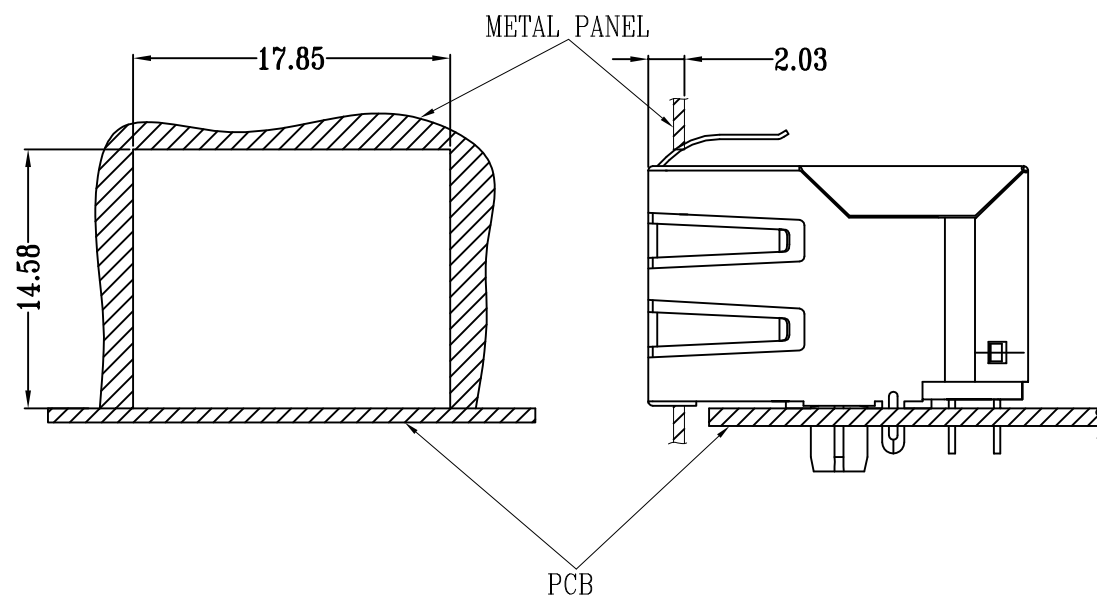
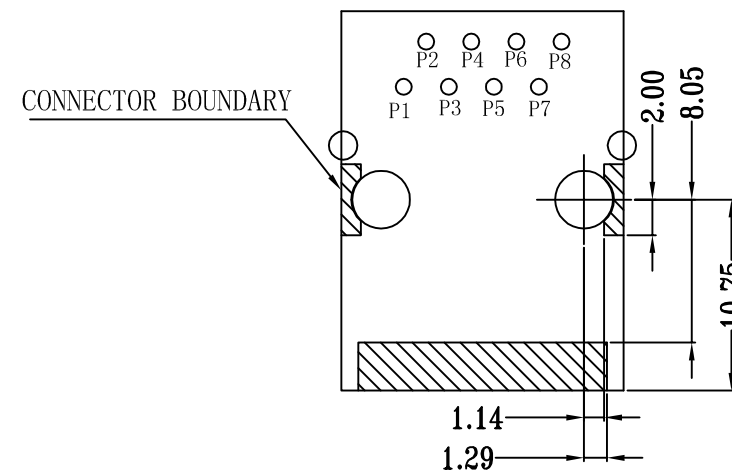
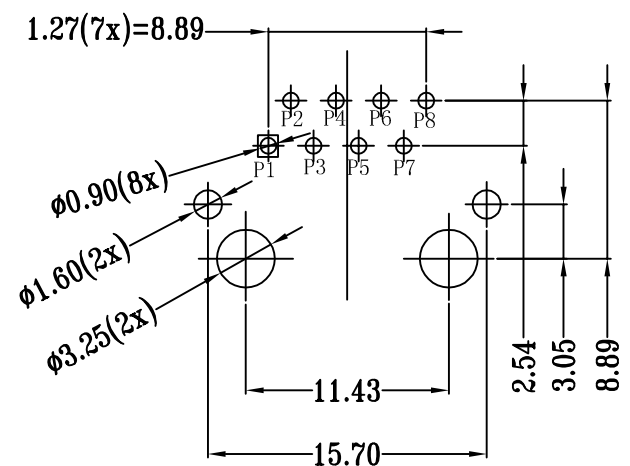
© COPYRIGHT 2013 By TE CONNECTIVITY

ALL RIGHTS RESERVED.

REVISIONS

P	LTR	DESCRIPTION	DATE	DWN	APVD
-	-	SEE SHEET 1	-	-	-

SUGGESTED PCB LAYOUT



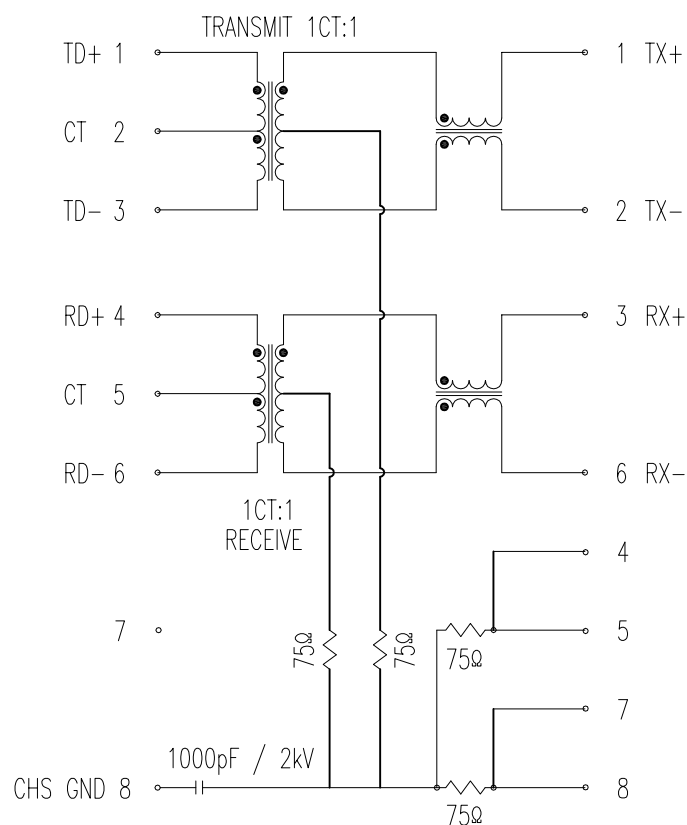
UNIT: mm
TOLERANCES: ±0.10

THIS DRAWING IS A CONTROLLED DOCUMENT.		DWN GANESH C M 02AUG2016		
		CHK FRANZ MUELLER 02AUG2016		
		APVD MARTIN SZELAG 02AUG2016	NAME RJ45 JACK INT.MAG. 10/100 1x1	
DIMENSIONS: mm		PRODUCT SPEC 108-94552	SIZE A3	
		APPLICATION SPEC 114-94447	CAGE CODE 00779	DRAWING NO C-5-2301994-4
TOLERANCES UNLESS OTHERWISE SPECIFIED:		WEIGHT	RESTRICTED TO	
0 PLC ± -		CUSTOMER DRAWING	SCALE 3:1	
1 PLC ± -			SHEET 2 of 3	
2 PLC ± -			REV A1	
3 PLC ± -				
4 PLC ± -				
ANGLES ± -				
MATERIAL	FINISH			

REVISIONS

P	LTR	DESCRIPTION	DATE	DWN	APVD
-	-	SEE SHEET 1	-	-	-

ELECTRICAL CIRCUIT DIAGRAM



1. TURN RATIO @100kHz: (P1~P3) : (J1~J2) = 1:1±2%
(P4~P6) : (J3~J6)=1:1±2%
2. PRIMARY INDUCTANCE: 350µH MIN. @100kHz, 0.1V 8mA DC BIAS
3. DC RESISTANCE: 1.2 OHMS MAX.
4. INSERTION LOSS: 1-100MHz -1.2dB MAX.
5. RETURN LOSS: 1-30MHz -16dB MIN.
30-60MHz -12dB MIN.
60-80MHz -10dB MIN.
6. CROSS TALK: 1-100MHz -30dB MIN.
7. COMMON TO COMMON MODE ATTENUATION: 1-100MHz -30dB MIN.
8. ISOLATION: PHY SIDE TO LINE SIDE: 1500VAC OR 2250VDC

5 - 2301994 - 4
WWYY-xxxx

STE

FCC

CONTROL CODE
DATE CODE
"0213"
YY-YEAR
WW-WEEK

THIS DRAWING IS A CONTROLLED DOCUMENT.		DWN 02AUG2016 GANESH C M	STE TE Connectivity	
		CHK 02AUG2016 FRANZ MUELLER		
		APVD 02AUG2016 MARTIN SZELAG	NAME RJ45 JACK INT.MAG. 10/100 1x1	
DIMENSIONS: mm		PRODUCT SPEC 108-94552	SIZE A3	
TOLERANCES UNLESS OTHERWISE SPECIFIED: 0 PLC ± - 1 PLC ± - 2 PLC ± - 3 PLC ± - 4 PLC ± - ANGLES ± -		APPLICATION SPEC 114-94447	CAGE CODE 00779	
MATERIAL 1		FINISH 1	DRAWING NO C-5-2301994-4	
		WEIGHT	RESTRICTED TO -	
		CUSTOMER DRAWING	SCALE 3:1 SHEET 3 of 3 REV A1	