



Chipsmall Limited consists of a professional team with an average of over 10 year of expertise in the distribution of electronic components. Based in Hongkong, we have already established firm and mutual-benefit business relationships with customers from,Europe,America and south Asia,supplying obsolete and hard-to-find components to meet their specific needs.

With the principle of "Quality Parts,Customers Priority,Honest Operation,and Considerate Service",our business mainly focus on the distribution of electronic components. Line cards we deal with include Microchip,ALPS,ROHM,Xilinx,Pulse,ON,Everlight and Freescale. Main products comprise IC,Modules,Potentiometer,IC Socket,Relay,Connector.Our parts cover such applications as commercial,industrial, and automotives areas.

We are looking forward to setting up business relationship with you and hope to provide you with the best service and solution. Let us make a better world for our industry!



## Contact us

Tel: +86-755-8981 8866 Fax: +86-755-8427 6832

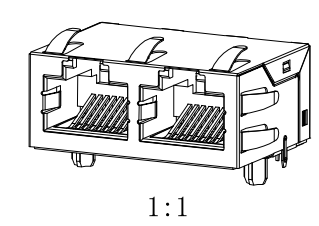
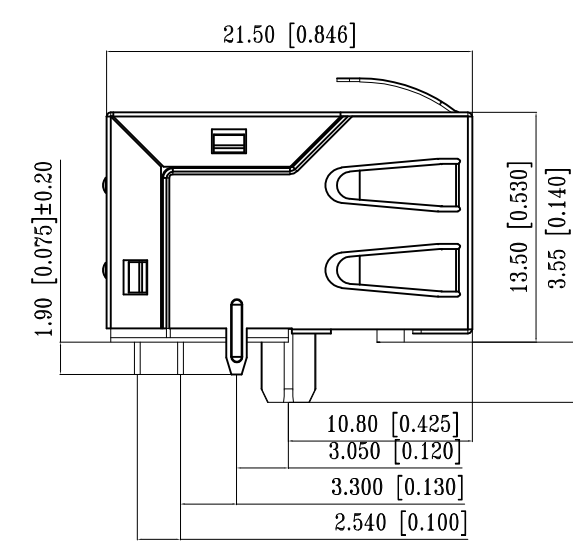
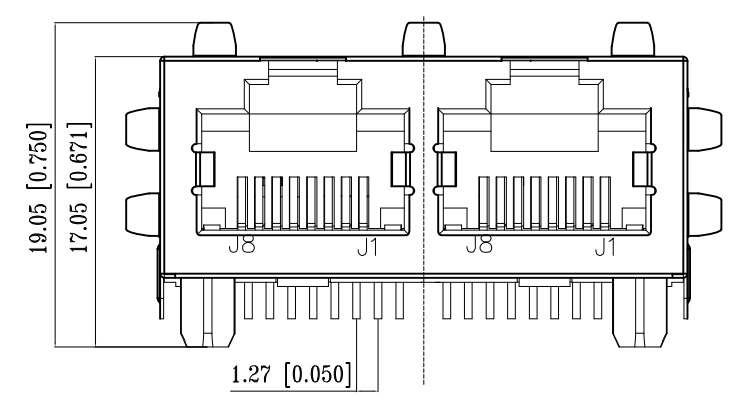
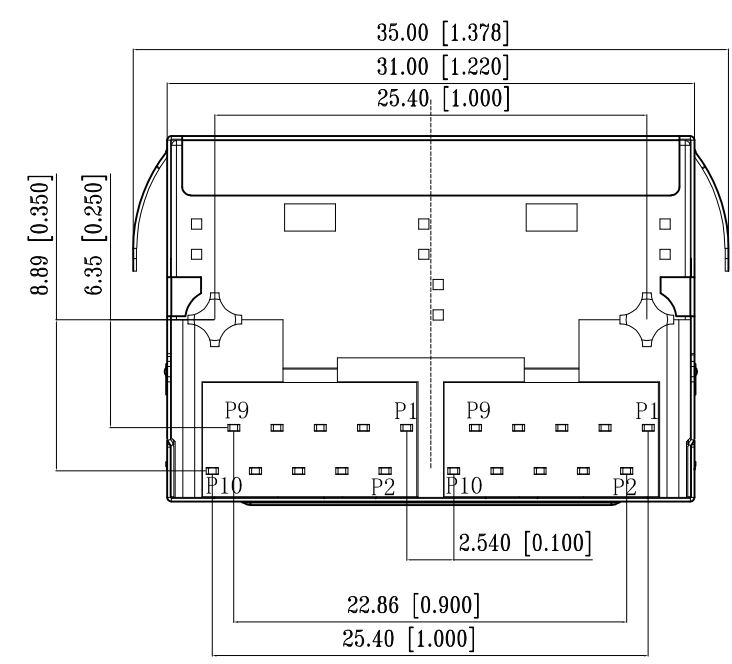
Email & Skype: info@chipsmall.com Web: www.chipsmall.com

Address: A1208, Overseas Decoration Building, #122 Zhenhua RD., Futian, Shenzhen, China



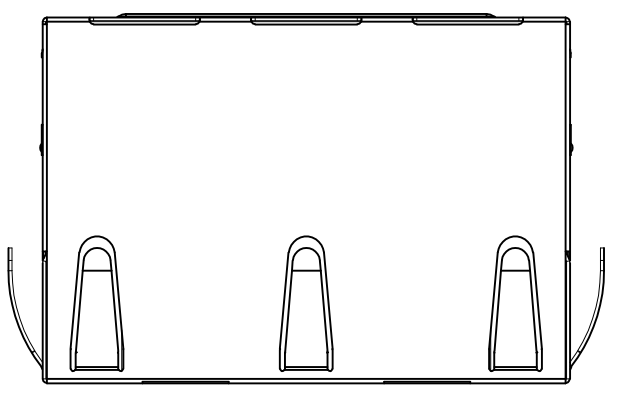
THIS DRAWING IS UNPUBLISHED  
 RELEASED FOR PUBLICATION  
 - ,2017.  
 © COPYRIGHT 2017 By -TE Connectivity Germany Gmbh  
 ALL RIGHTS RESERVED.

| REVISIONS |     |             |           |         |
|-----------|-----|-------------|-----------|---------|
| P         | LTR | DESCRIPTION | DATE      | APVD    |
|           | A1  | NEW RELEASE | 03MAR2017 | GCM/MSZ |



- △ CONNECTOR MATERIAL:  
 HOUSING: LCP BLACK UL94 V-0  
 INSERT: LCP BLACK UL94 V-0  
 SHIELD: BRASS  
 SHIELD PLATING: NICKEL  
 CONTACT: COPPER ALLOY  
 CONTACT PLATING: SELECTIVE GOLD, MIN. 0.76µm (30µinch) IN CONTACT AREA  
 OVER MIN. 1.27µm (50µinch) NICKEL  
 SOLDER PIN PLATING: 3.05µm (120µinch) TIN OVER 1.02µm (40µinch) NICKEL  
 OVER ALL  
 SHIELDING PIN PLATING: NICKEL
- 2 PIN NOT ELECTRICALLY CONNECTED MAYBE OMITTED SEE ELECTRICAL CIRCUIT DIAGRAM FOR OMITTED PINS
- 3 RJ45 CAVITIES CONFORM TO FCC RULES AND REGULATION PART 68
- 4 THE PART IS RECOMMENDED FOR REFLOW SOLDERING PROCESS PEAK SOLDERING: TEMPERATURE MAX. +260° C, MAX. 10s
- 5 OPERATING TEMPERATURE: T= -40° C TO +85° C
- 6 STORAGE TEMPERATURE: T= -40° C TO +85° C
- △ UNLESS OTHERWISE SPECIFIED, SEE TABLE FOR ALL DIMENSIONS TOLERANCES
- 8 JACK CONFIGURATION: 1 x 2  
 TAB DIRECTION: UP
- 9 PACKAGING: TRAY ACCORDING TO PACKAGING SPECIFICATION 107-18116

| TABLE OF TOLERANCE (mm) |           |
|-------------------------|-----------|
| RANGE                   | TOLERANCE |
| 0-10                    | ±0.15     |
| >10-40                  | ±0.25     |
| >40-70                  | ±0.30     |
| >70                     | ±0.40     |

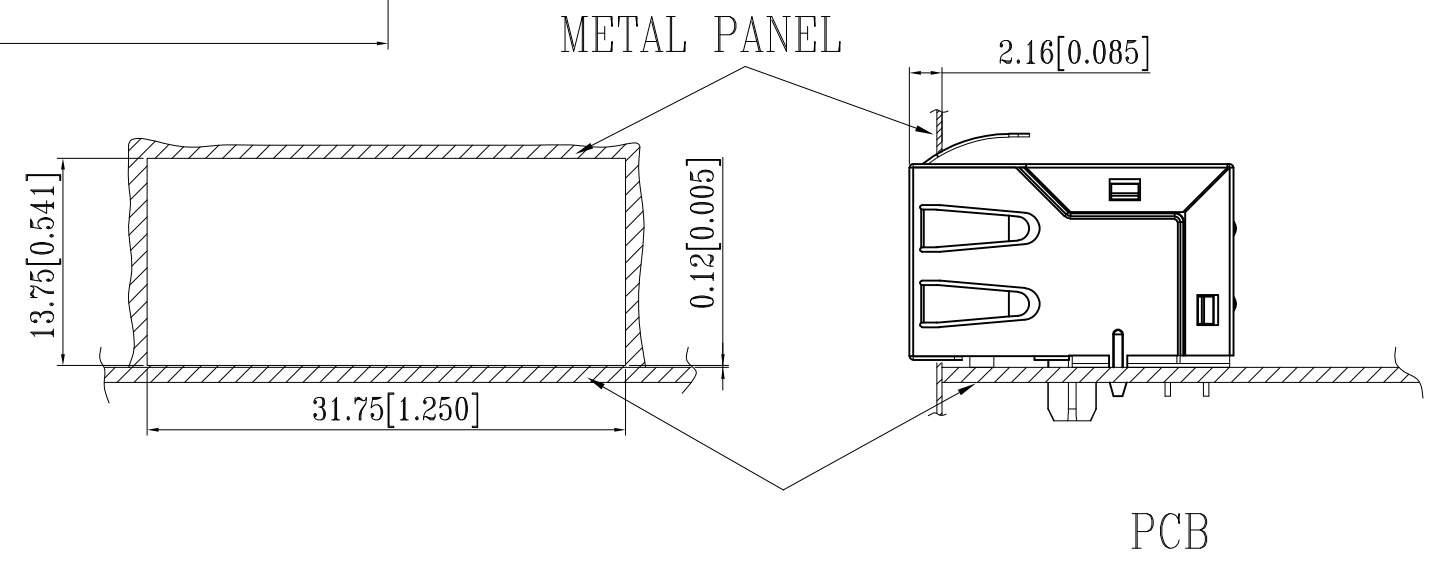
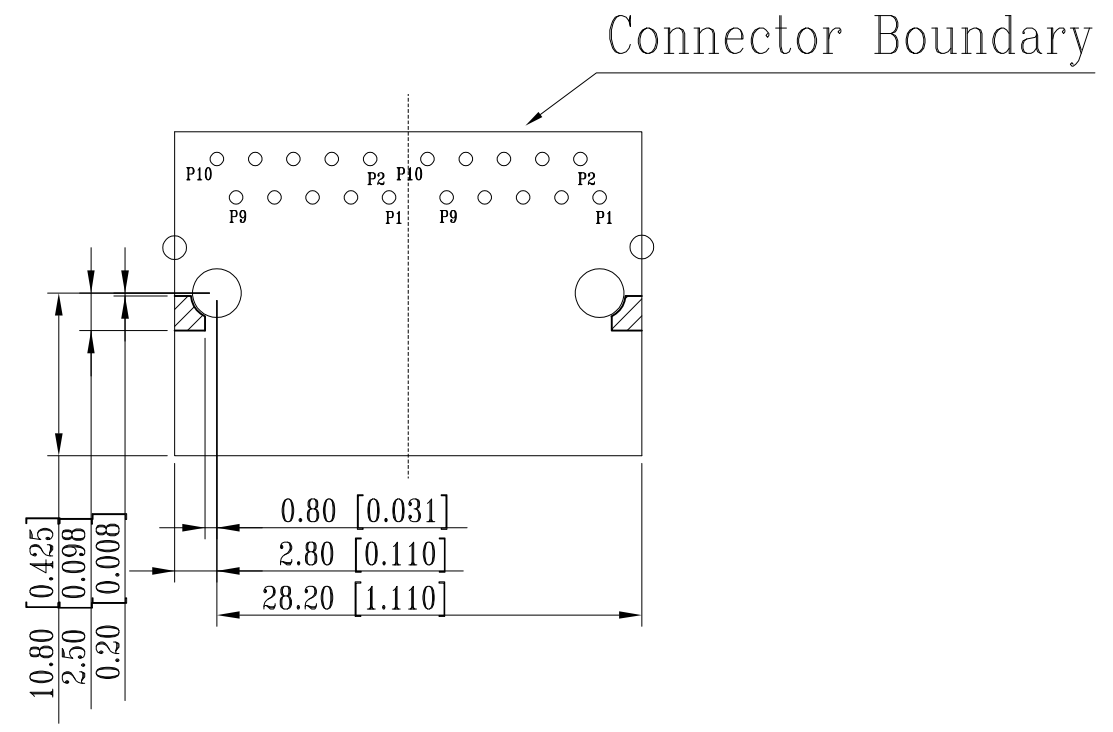
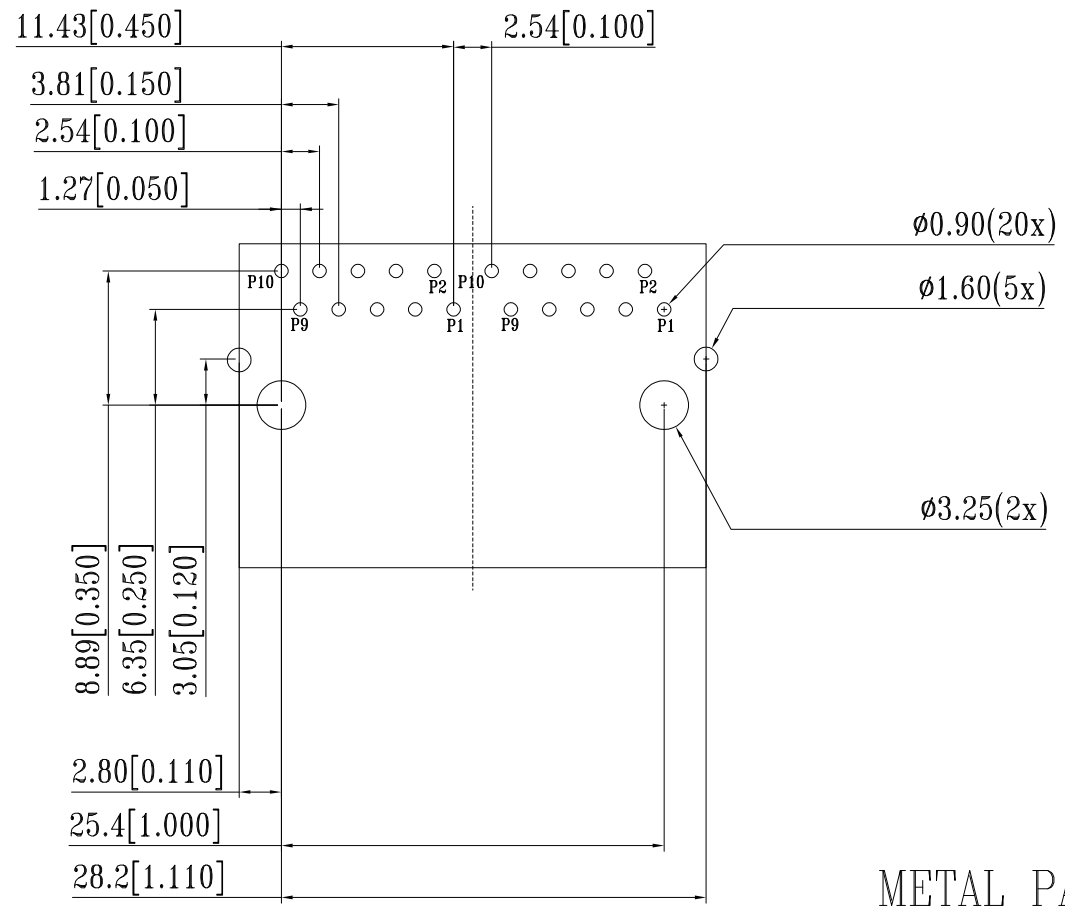


|  |  |                              |                                      |                 |
|--|--|------------------------------|--------------------------------------|-----------------|
| THIS DRAWING IS A CONTROLLED DOCUMENT. |  | DWN GANESH C M 27AUG2016     | <b>STE</b> TE Connectivity           |                 |
| DIMENSIONS: mm [INCHES]                |  | CHK FRANZ MUELLER 27AUG2016  |                                      |                 |
| TOLERANCES UNLESS OTHERWISE SPECIFIED: |  | APVD MARTIN SZELAG 27AUG2016 | NAME RJ45 JACK INT.MAG. 1Gb 1x2 INV. |                 |
| 0 PLC ± -                              |  | PRODUCT SPEC 108-94552       | -                                    |                 |
| 1 PLC ± - △ 7                          |  | APPLICATION SPEC 114-94447   | -                                    |                 |
| 2 PLC ± -                              |  | WEIGHT -                     | SIZE A3                              | CAGE CODE 00779 |
| 3 PLC ± -                              |  | CUSTOMER DRAWING             | DRAWING NO C-5-2301996-3             |                 |
| 4 PLC ± -                              |  |                              | SCALE 3:1                            | SHEET 1 OF 3    |
| ANGLES ± -                             |  | RESTRICTED TO -              |                                      |                 |
| MATERIAL △ 1                           |  | FINISH △ 1                   |                                      |                 |

THIS DRAWING IS UNPUBLISHED  
 RELEASED FOR PUBLICATION  
 - .2017.  
 ALL RIGHTS RESERVED.

| REVISIONS |     |             |      |      |
|-----------|-----|-------------|------|------|
| P         | LTR | DESCRIPTION | DATE | APVD |
| -         | -   | SEE SHEET 1 | -    | -    |

# SUGGESTED PCB LAYOUT



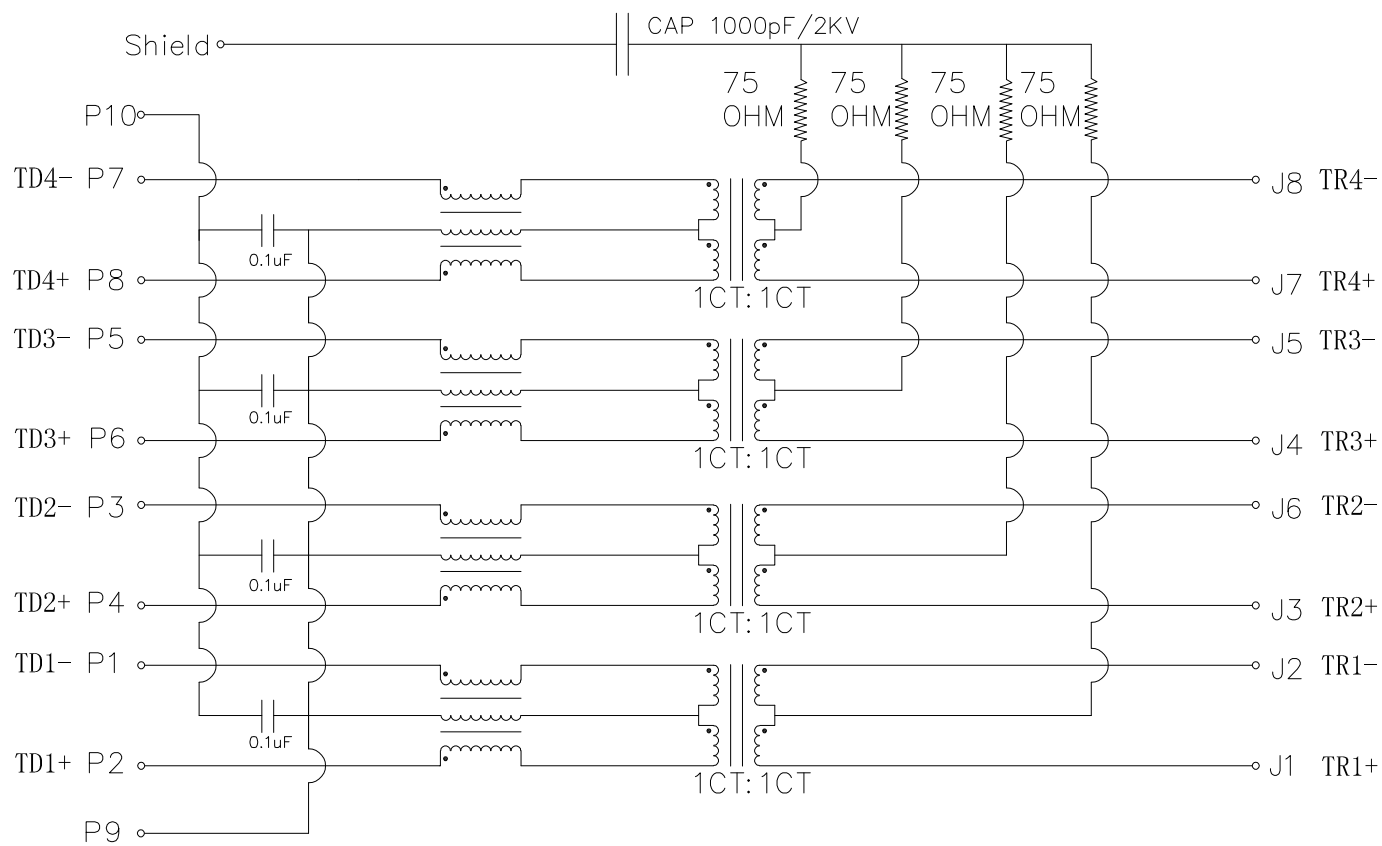
UNIT: mm / inch  
 Tolerances: ±0.10 / 0.004

|   |  |                                    |   |                    |
|---|--|------------------------------------|---|--------------------|
| THIS DRAWING IS A CONTROLLED DOCUMENT.  |  | DWN<br>GANESH C M<br>27AUG2016     |   |                    |
| DIMENSIONS:<br>mm [INCHES]  |  | CHK<br>FRANZ MUELLER<br>27AUG2016  |   |                    |
| TOLERANCES UNLESS OTHERWISE SPECIFIED:  |  | APVD<br>MARTIN SZELAG<br>27AUG2016 | NAME<br>RJ45 JACK INT.MAG. 1Gb 1x2 INV. |                    |
| <br>0 PLC ± -<br>1 PLC ± -<br>2 PLC ± -<br>3 PLC ± -<br>4 PLC ± -<br>ANGLES ± - |  | PRODUCT SPEC<br>108-94552          | RESTRICTED TO                           |                    |
| MATERIAL<br>1   |  | APPLICATION SPEC<br>114-94447      | SIZE<br>A3                              | CAGE CODE<br>00779 |
| FINISH<br>1   |  | WEIGHT<br>0                        | DRAWING NO<br>C-5-2301996-3             |                    |
| CUSTOMER DRAWING  |  |                                    | SCALE<br>3:1                            | SHEET<br>2 of 3    |
|   |  |                                    | REV<br>A1                               |                    |

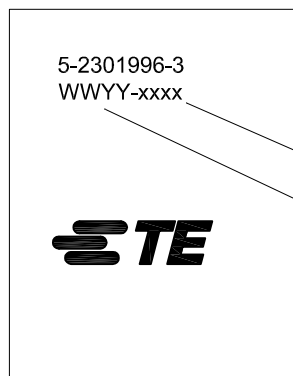
REVISIONS

| P | LTR | DESCRIPTION | DATE | DWN | APVD |
|---|-----|-------------|------|-----|------|
| - | -   | SEE SHEET 1 | -    | -   | -    |

ELECTRICAL CIRCUIT DIAGRAM



- 1.0 Turn Ratio @100KHz: (P2~P1):(J1~J2) = 1:1±2%  
(P4~P3):(J3~J6) = 1:1±2%  
(P6~P5):(J4~J5) = 1:1±2%  
(P8~P7):(J7~J8) = 1:1±2%
- 2.0 Primary Inductance: 350uH MIN @100KHZ,0.1V 8mA DC BIAS
- 3.0 DC Resistance: 1.2 OHMS MAX
- 4.0 Insertion Loss: 1-100MHz -1.0dB MAX  
100-125MHz -1.2dB MAX
- 5.0 Return Loss: 1-40MHz -16dB MIN  
40-60MHz -12dB MIN  
60-80MHz -10dB MIN  
80-100MHz -8dB MIN
- 6.0 Cross Talk: 1-100MHz -30dB MIN
- 7.0 COMMON TO COMMON MODE ATTENUATION: 1-100MHz -30dB MIN
- 8.0 Isolation: PHY Side to Line Side: 2250VDC



5-2301996-3  
WWYY-xxxx



FCC

CONTROL CODE

DATE CODE  
"0213"

YY-YEAR

WW-WEEK

|   |  |                                    |  |              |                 |
|---|--|------------------------------------|--|--------------|-----------------|
| THIS DRAWING IS A CONTROLLED DOCUMENT.                                      |  | DWN<br>GANESH C M<br>27AUG2016     | TE Connectivity<br>RJ45 JACK INT.MAG. 1Gb 1x2 INV. |              |                 |
| DIMENSIONS:<br>mm [INCHES]  |  | CHK<br>FRANZ MUELLER<br>27AUG2016  |  |              |                 |
| TOLERANCES UNLESS OTHERWISE SPECIFIED:                                      |  | APVD<br>MARTIN SZELAG<br>27AUG2016 | NAME   |              |                 |
| 0 PLC ± -<br>1 PLC ± -<br>2 PLC ± -<br>3 PLC ± -<br>4 PLC ± -<br>ANGLES ± - |  | PRODUCT SPEC<br>108-94552          | SIZE   |              |                 |
| MATERIAL  |  | APPLICATION SPEC<br>114-94447      | CAGE CODE  | DRAWING NO   | RESTRICTED TO   |
| FINISH  |  | WEIGHT<br>0                        | A3   | 00779        | —               |
|   |  | CUSTOMER DRAWING                   |  | SCALE<br>3:1 | SHEET<br>3 OF 3 |
|   |  | SCALE<br>3:1                       |  | REV<br>A1    |                 |