



Chipsmall Limited consists of a professional team with an average of over 10 year of expertise in the distribution of electronic components. Based in Hongkong, we have already established firm and mutual-benefit business relationships with customers from,Europe,America and south Asia,supplying obsolete and hard-to-find components to meet their specific needs.

With the principle of “Quality Parts,Customers Priority,Honest Operation,and Considerate Service”,our business mainly focus on the distribution of electronic components. Line cards we deal with include Microchip,ALPS,ROHM,Xilinx,Pulse,ON,Everlight and Freescale. Main products comprise IC,Modules,Potentiometer,IC Socket,Relay,Connector.Our parts cover such applications as commercial,industrial, and automotives areas.

We are looking forward to setting up business relationship with you and hope to provide you with the best service and solution. Let us make a better world for our industry!



Contact us

Tel: +86-755-8981 8866 Fax: +86-755-8427 6832

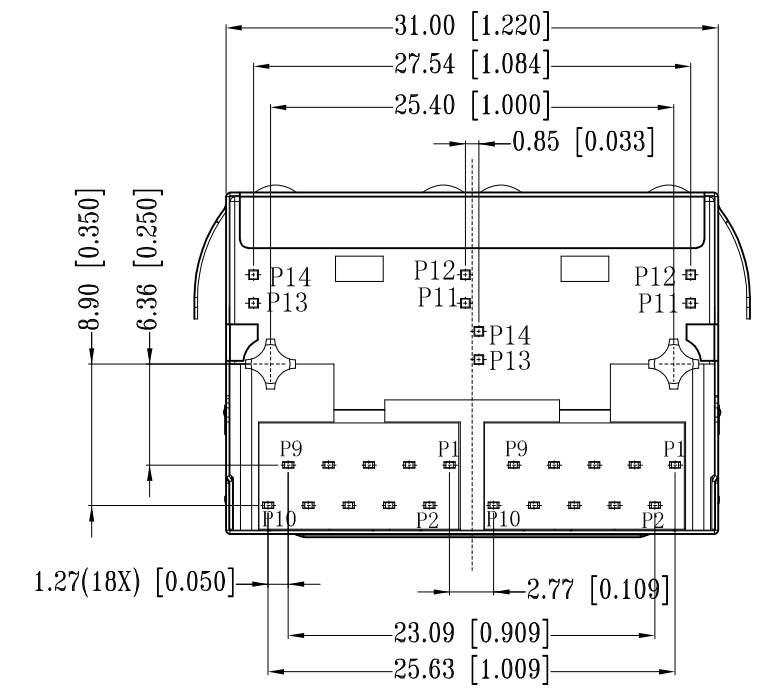
Email & Skype: info@chipsmall.com Web: www.chipsmall.com

Address: A1208, Overseas Decoration Building, #122 Zhenhua RD., Futian, Shenzhen, China



THIS DRAWING IS UNPUBLISHED. RELEASED FOR PUBLICATION - .2016.
 © COPYRIGHT 2013 By TE CONNECTIVITY ALL RIGHTS RESERVED.

REVISIONS				
P	LTR	DESCRIPTION	DATE	APVD
	A1	NEW DRAWING	16AUG2016	GCM/MSZ



- CONNECTOR MATERIAL:
 HOUSING: LCP BLACK UL94 V-0
 INSERT: LCP BLACK UL94 V-0
 SHIELD: BRASS
 SHIELD PLATING: NICKEL
 CONTACT: COOPER ALLOY
 CONTACT PLATING: SELECTIVE GOLD, MIN. 0.76 μm(30 μ in ch) IN CONTACT AREA
 OVER MIN. 1.27 μm (50 μ inch) NICKEL
 SOLDER PIN PLATING: 3.05 μm (120 μ inch) TIN OVER 1.02 μm (40 μ inch) NICKEL OVER ALL
 SHIELDING PIN PLATING: NICKEL
- 2 PIN NOT ELECTRICALLY CONNECTED MAYBE OMITTED SEE ELECTRICAL CIRCUIT DIAGRAM FOR OMITTED PINS
- 3 RJ45 CAVITIES CONFORM TO FCC RULES AND REGULATION PART 68.
- 4 THE PART IS RECOMMENDED FOR REFLOW SOLDERING PROCESS PEAK SOLDERING: TEMPERATURE IS MAX. +260° C, MAX. 10s
- 5 OPERATING TEMPERATURE T = -40° C TO +85° C.
- 6 STORAGE TEMPERATURE T = -40° C TO +85° C.
- UNLESS OTHERWISE SPECIFIED, SEE TABLE FOR ALL DIMENSIONS TOLERANCES
- 8 JACK CONFIGURATION: 1 x 2
 TAB DIRECTION: UP
- 9 PACKAGING: TRAY ACCORDING TO PACKAGING SPECIFICATION 107-18116

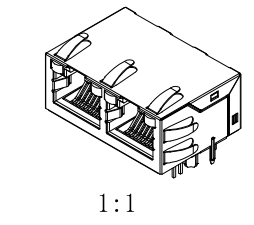
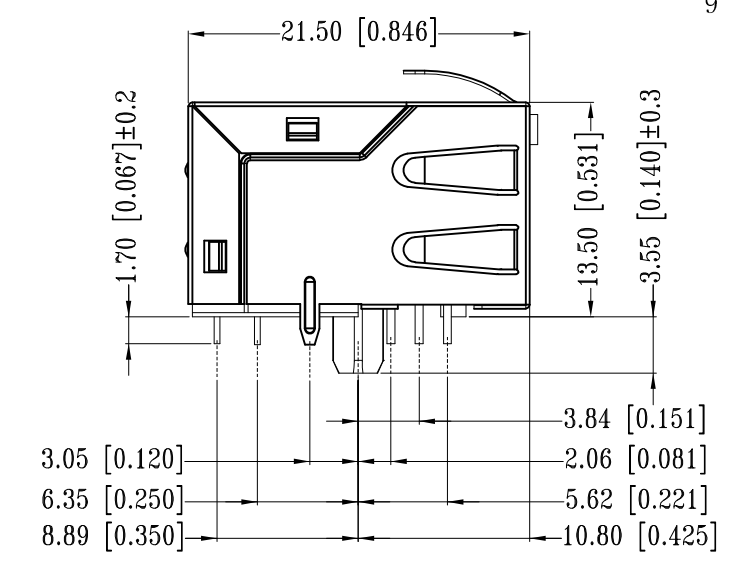
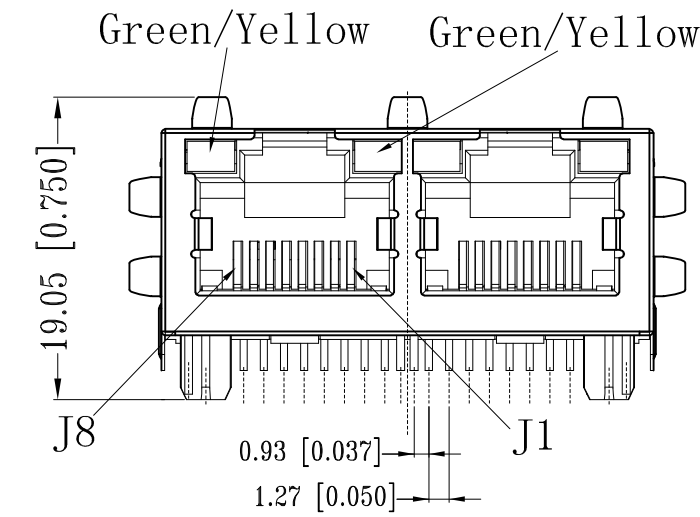
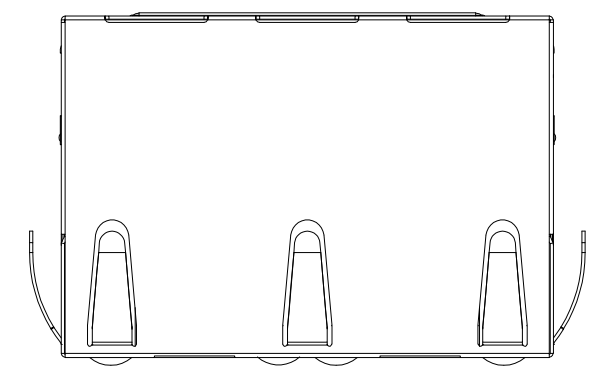


TABLE OF TOLERANCE (mm)	
RANGE	TOLERANCE
0-10	±0.15
>10-40	±0.25
>40-70	±0.30
>70	±0.40

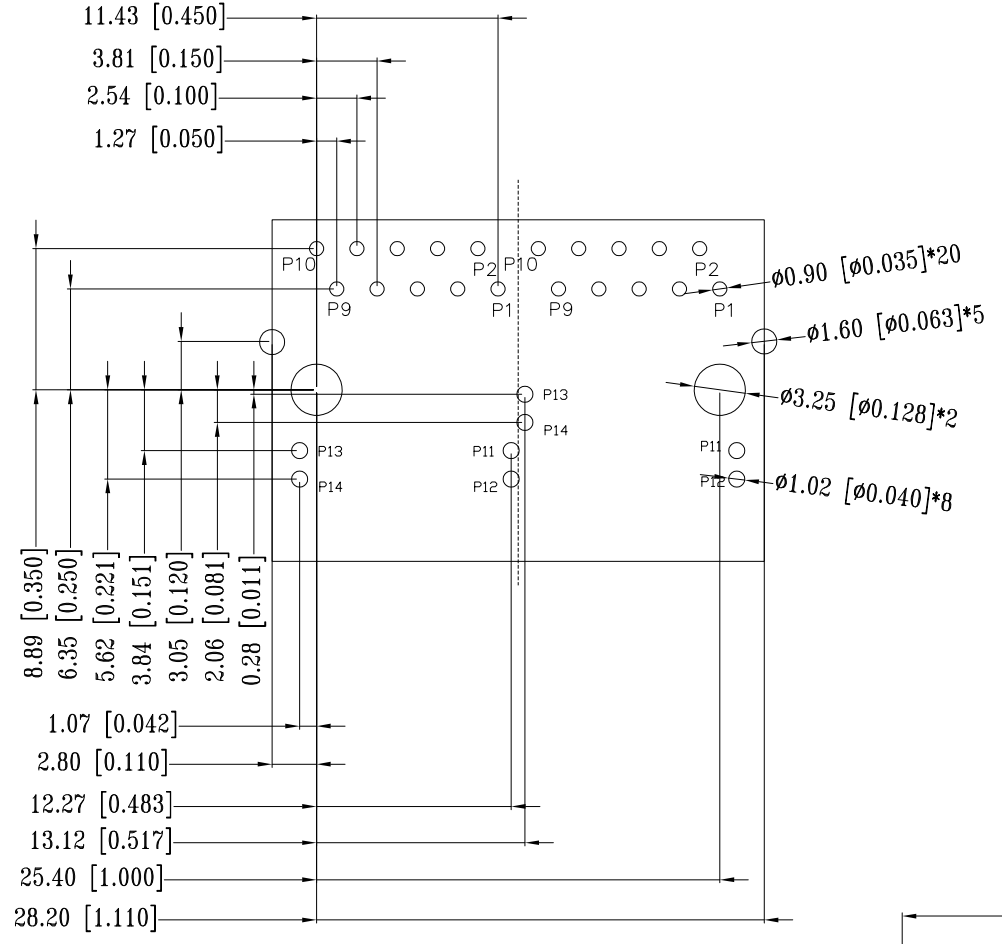


THIS DRAWING IS A CONTROLLED DOCUMENT.		DWN 16AUG2016 GANESH C M	TE Connectivity	
DIMENSIONS: mm [INCHES]		CHK 16AUG2016 FRANZ MUELLER		
TOLERANCES UNLESS OTHERWISE SPECIFIED:		APVD 16AUG2016 MARTIN SZELAG	NAME RJ45 JACK INTEGRATED MAGNETICS 1Gb LED	
0 PLC ± - 1 PLC ± - 2 PLC ± - 3 PLC ± - 4 PLC ± - ANGLES ± -		PRODUCT SPEC 108-94552	-	
MATERIAL		APPLICATION SPEC 114-94447	SIZE A3	CAGE CODE 00779
FINISH		WEIGHT	DRAWING NO C-5-2301996-7	
		CUSTOMER DRAWING		RESTRICTED TO -
		SCALE 3:1	SHEET 1 OF 3	REV A1

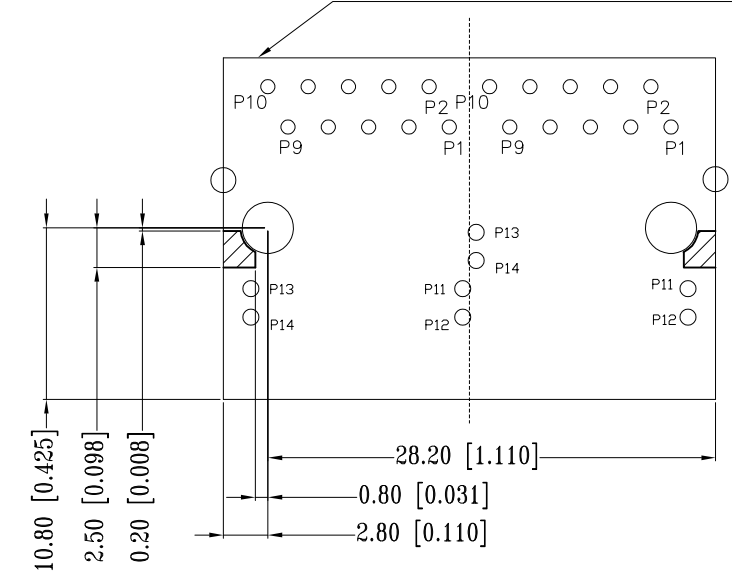
THIS DRAWING IS UNPUBLISHED. RELEASED FOR PUBLICATION - .2016.
 © COPYRIGHT 2013 By TE CONNECTIVITY ALL RIGHTS RESERVED.

REVISIONS				
P	LTR	DESCRIPTION	DATE	APVD
-	-	SEE SHEET 1	-	-

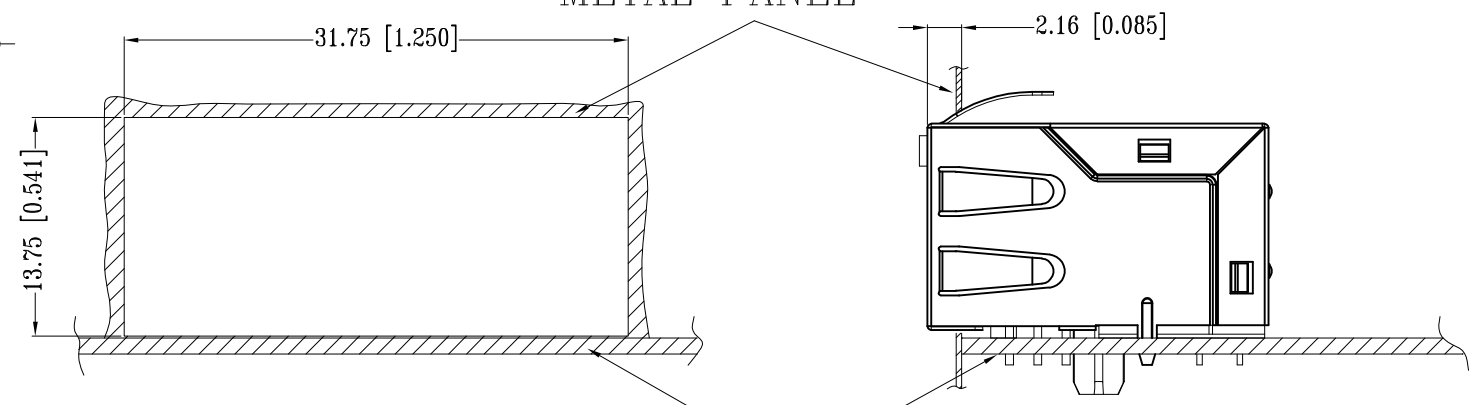
SUGGESTED PCB LAYOUT



Connector Boundary


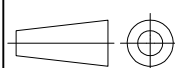





METAL PANEL



PCB

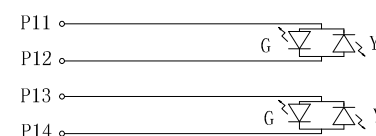
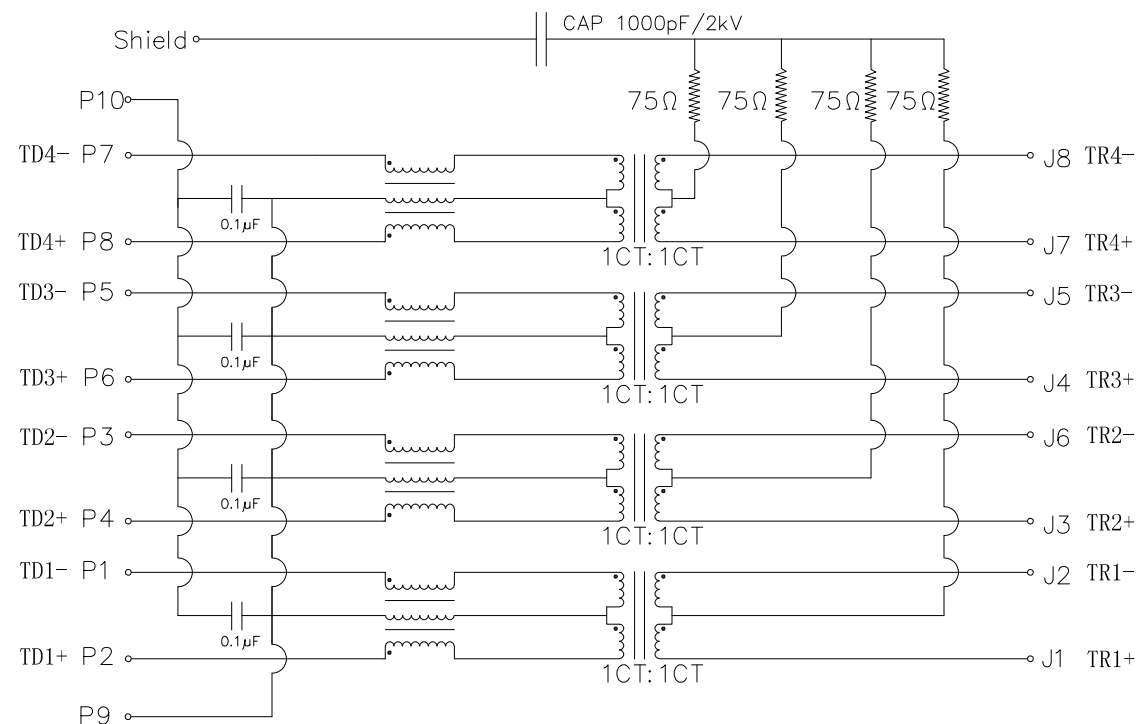
UNIT: mm
TOLERANCES: ±0.10

THIS DRAWING IS A CONTROLLED DOCUMENT.		DWN GANESH C M 16AUG2016	 TE Connectivity	
DIMENSIONS: mm [INCHES]		CHK FRANZ MUELLER 16AUG2016		
TOLERANCES UNLESS OTHERWISE SPECIFIED:		APVD MARTIN SZELAG 16AUG2016	NAME RJ45 JACK INTEGRATED MAGNETICS 1Gb LED	
	0 PLC ± -	PRODUCT SPEC 108-94552	-	
	1 PLC ± -	APPLICATION SPEC 114-94447	-	
	2 PLC ± -	SIZE A3	CAGE CODE 00779	DRAWING NO C-5-2301996-7
	3 PLC ± -	WEIGHT	RESTRICTED TO -	
	4 PLC ± -	SCALE 3:1		
	ANGLES ± -	SHEET 2 OF 3		
	FINISH 1	REV A1		
	CUSTOMER DRAWING			

REVISIONS

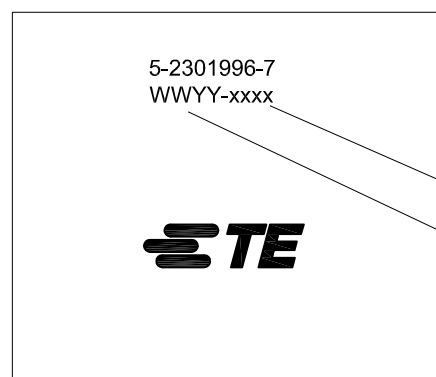
P	LTR	DESCRIPTION	DATE	DWN	APVD
-	-	SEE SHEET 1	-	-	-

ELECTRICAL CIRCUIT DIAGRAM



Pin	Yellow	Green	Pin	Yellow	Green
P11	-	+	P13	-	+
P12	+	-	P14	+	-

- 1.0 Turn Ratio @100kHz: (P2~P1):(J1~J2) = 1:1±2%
(P4~P3):(J3~J6) = 1:1±2%
(P6~P5):(J4~J5) = 1:1±2%
(P8~P7):(J7~J8) = 1:1±2%
- 2.0 Primary Inductance: 350µH MIN. @100kHz, 0.1V 8mA DC BIAS
- 3.0 DC Resistance: 1.2 OHMS MAX.
- 4.0 Insertion Loss: 1-100MHz -1.0dB MAX.
100-125MHz -1.2dB MAX.
- 5.0 Return Loss: 1-40MHz -16dB MIN.
40-60MHz -12dB MIN.
60-80MHz -10dB MIN.
80-100MHz -8dB MIN.
- 6.0 Cross Talk: 1-100MHz -30dB MIN.
- 7.0 COMMON TO COMMON MODE ATTENUATION: 1-100MHz -30dB MIN.
- 8.0 Isolation: PHY Side to Line Side: 2250VDC



FCC

CONTROL CODE
DATE CODE
"0213"
YY-YEAR
WW-WEEK

THIS DRAWING IS A CONTROLLED DOCUMENT.		DWN GANESH C M 16AUG2016	TE Connectivity RJ45 JACK INTEGRATED MAGNETICS 1Gb LED		
DIMENSIONS: mm [INCHES]		CHK FRANZ MUELLER 16AUG2016			
TOLERANCES UNLESS OTHERWISE SPECIFIED:		APVD MARTIN SZELAG 16AUG2016	NAME		
0 PLC ± - 1 PLC ± - 2 PLC ± - 3 PLC ± - 4 PLC ± - ANGLES ± -		PRODUCT SPEC 108-94552	RESTRICTED TO		
MATERIAL		APPLICATION SPEC 114-94447	SIZE A3	CAGE CODE 00779	DRAWING NO C-5-2301996-7
FINISH		WEIGHT	SCALE 3:1		
		CUSTOMER DRAWING		SHEET 3 OF 3	
		SCALE 3:1		REV A1	