



Chipsmall Limited consists of a professional team with an average of over 10 year of expertise in the distribution of electronic components. Based in Hongkong, we have already established firm and mutual-benefit business relationships with customers from,Europe,America and south Asia,supplying obsolete and hard-to-find components to meet their specific needs.

With the principle of “Quality Parts,Customers Priority,Honest Operation,and Considerate Service”,our business mainly focus on the distribution of electronic components. Line cards we deal with include Microchip,ALPS,ROHM,Xilinx,Pulse,ON,Everlight and Freescale. Main products comprise IC,Modules,Potentiometer,IC Socket,Relay,Connector.Our parts cover such applications as commercial,industrial, and automotives areas.

We are looking forward to setting up business relationship with you and hope to provide you with the best service and solution. Let us make a better world for our industry!



Contact us

Tel: +86-755-8981 8866 Fax: +86-755-8427 6832

Email & Skype: info@chipsmall.com Web: www.chipsmall.com

Address: A1208, Overseas Decoration Building, #122 Zhenhua RD., Futian, Shenzhen, China



4

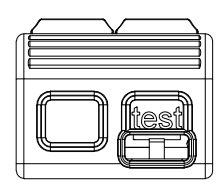
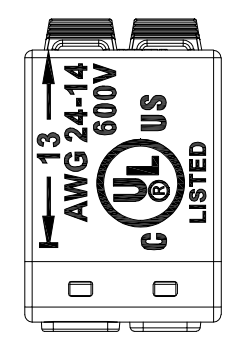
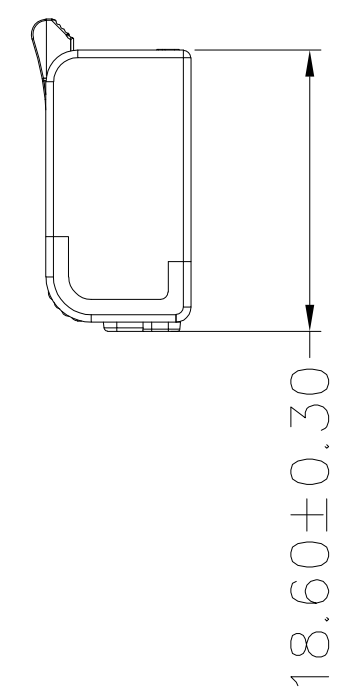
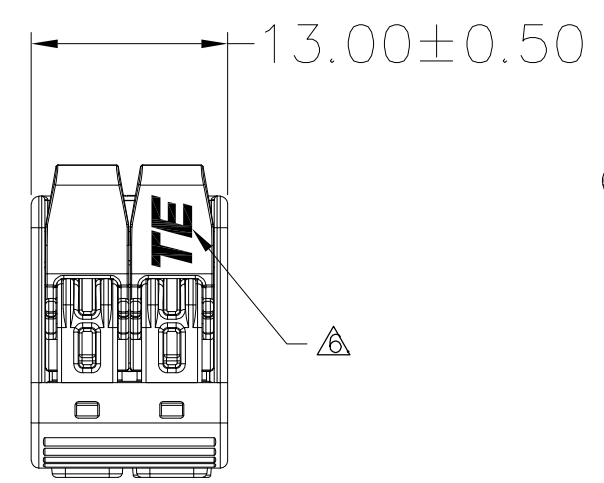
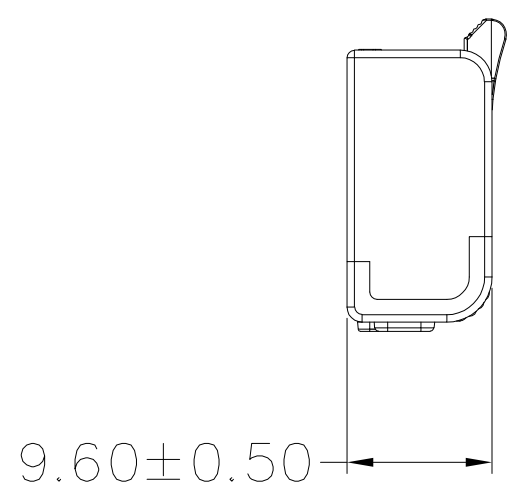
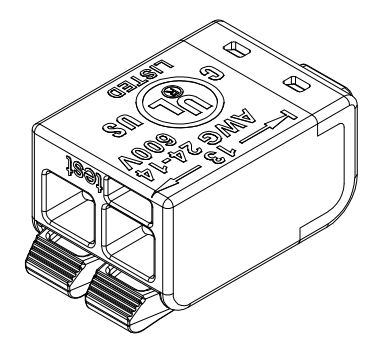
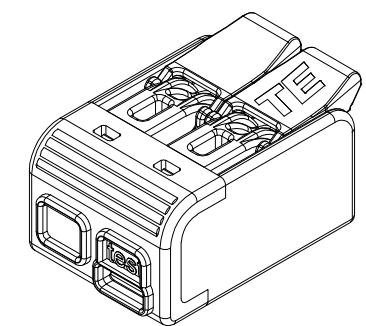
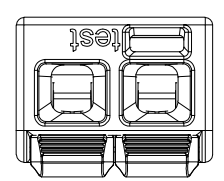
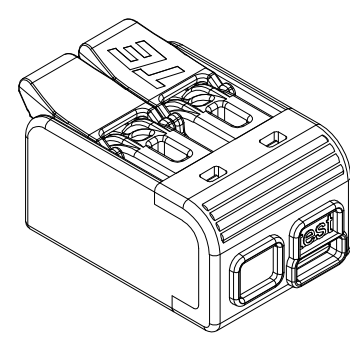
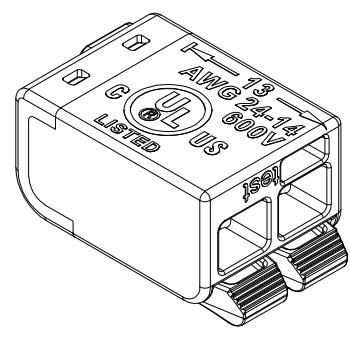
3

2

1


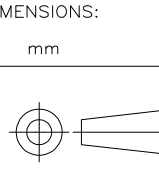
THIS DRAWING IS UNPUBLISHED. RELEASED FOR PUBLICATION - , - .
 © COPYRIGHT - By - ALL RIGHTS RESERVED.

REVISIONS					
P	LTR	DESCRIPTION	DATE	DWN	APVD
	A	INITIAL RELEASE	8FEB2017	Z.W	X.X
	B	ECR-17-009683	16JUN2017	Z.W	S.M



NOTE:
 1. PART NUMBER: SEE TABLE.
 2. MATERIAL:
 HOUSING: THERMALPLASTIC UL94-V2.
 CONTACT: BRASS & STAINLESS STEEL SPRING.
 3. FINISH
 TERMINAL: TIN PLATED BRASS.
 4. PACKAGING: PLASTIC BAG.
 5. APPLICABLE WIRE:
 VDE: 0.2-4.0MM² SOLID & STRAND WIRE.
 UL: 24-14AWG SOLID & STRAND WIRE.
 △ LOGO MARK APPROXIMATION LOCATION.

2-2834245-1	GREEN
PART NUMBER	PART COLOR

THIS DRAWING IS A CONTROLLED DOCUMENT.		DWN	ZHANG WEI	20FEB2017	 TE Connectivity							
DIMENSIONS: mm		CHK	SHI MING	20FEB2017				NAME				
		APVD	XU XIANG	20FEB2017				SPlicing WIRE CONNECTOR				
		PRODUCT SPEC	108-137271					SIZE	CAGE CODE	DRAWING NO	RESTRICTED TO	
MATERIAL		FINISH		114-137271		A3	00779	C-2834245	-			
CUSTOMER DRAWING				WEIGHT	2.25g	SCALE		2:1	SHEET	1 OF 4	REV	B

THIS DRAWING IS UNPUBLISHED.

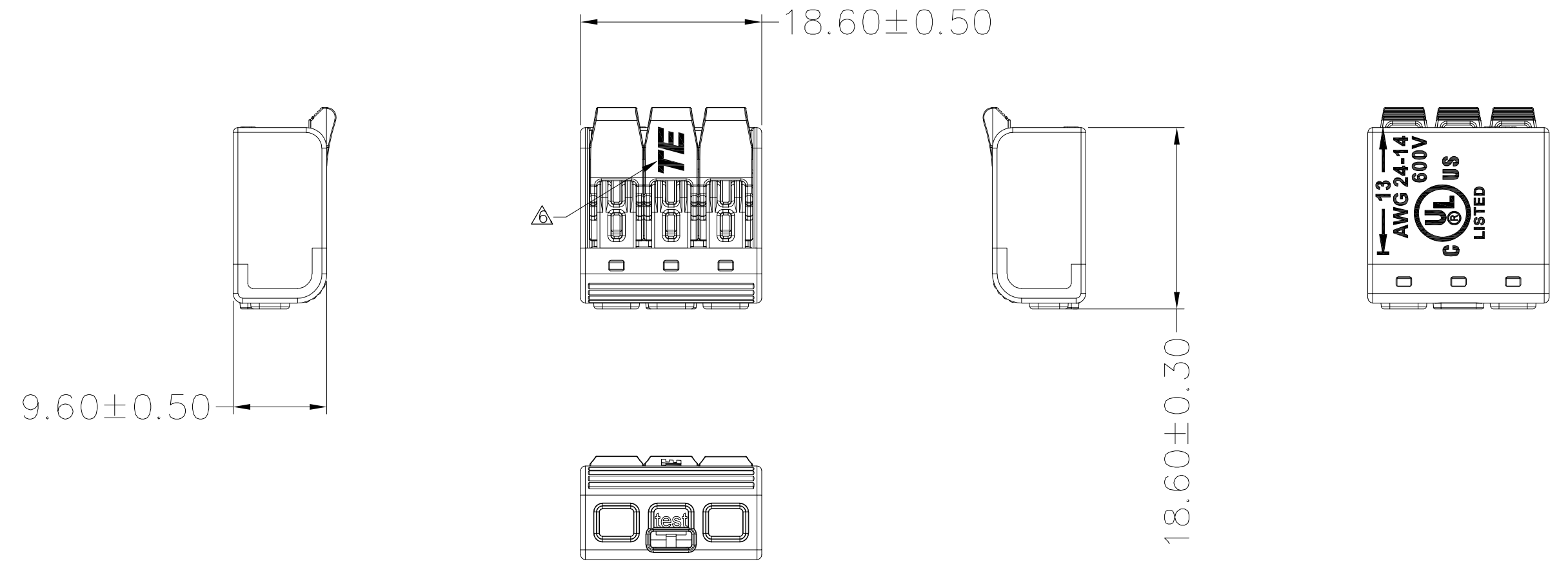
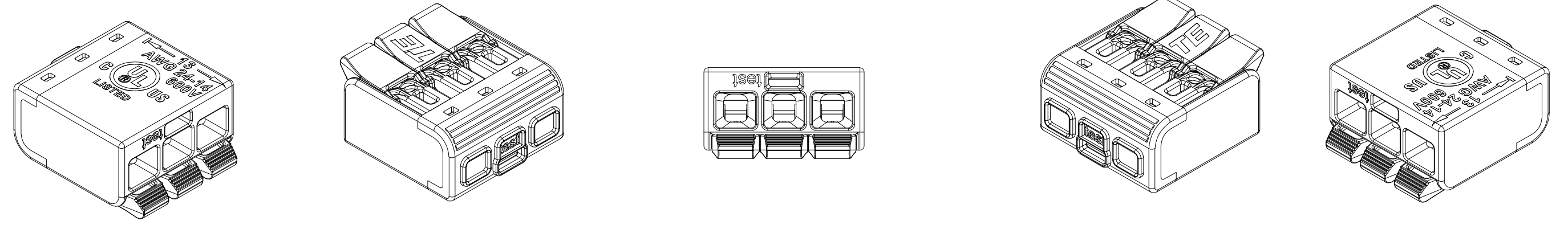
RELEASED FOR PUBLICATION

ALL RIGHTS RESERVED.

© COPYRIGHT - By -

REVISIONS

P	LTR	DESCRIPTION	DATE	DWN	APVD
-	-	SEE SHEET 1	-	-	-



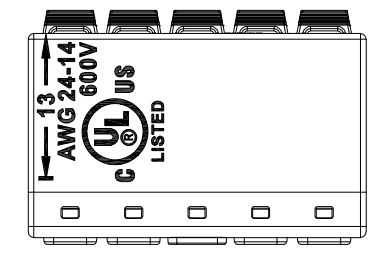
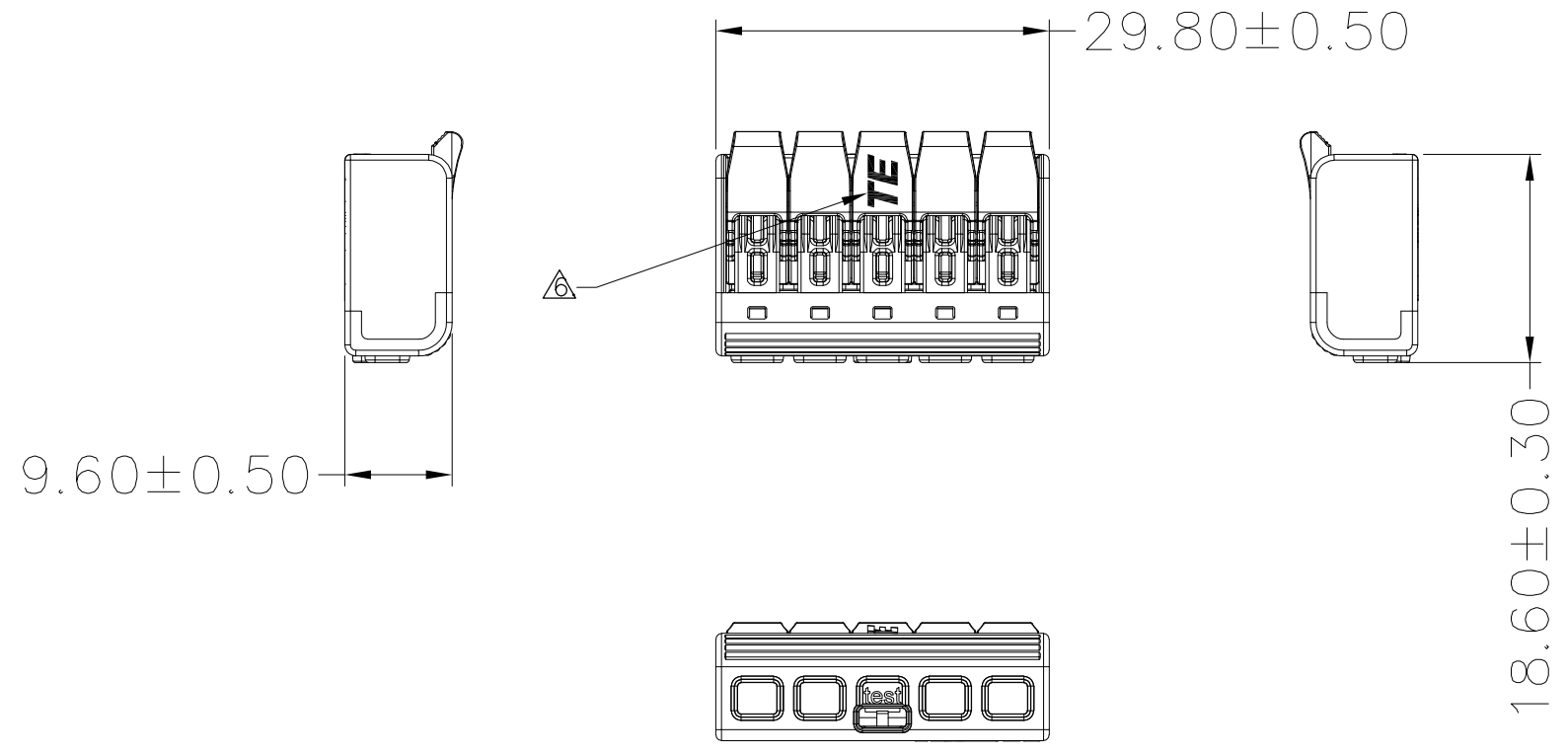
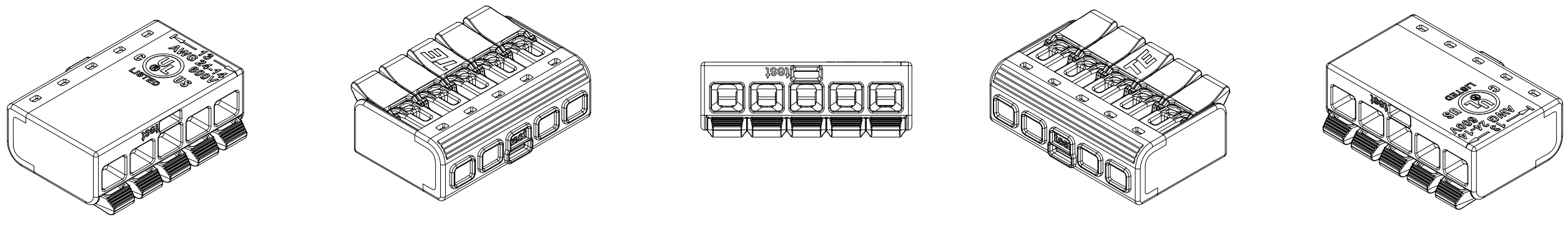
- NOTE:
- PART NUMBER: SEE TABLE.
 - MATERIAL:
HOUSING: THERMALPLASTIC UL94-V2.
CONTACT: BRASS & STAINLESS STEEL SPRING.
 - FINISH
TERMINAL: TIN PLATED BRASS.
 - PACKAGING: PLASTIC BAG.
 - APPLICABLE WIRE:
VDE: 0.2-4.0MM² SOLID & STRAND WIRE.
UL: 24-14AWG SOLID & STRAND WIRE.
- △ LOGO MARK APPROXIMATION LOCATION.

3-2834245-1	GREEN
PART NUMBER	PART COLOR

THIS DRAWING IS A CONTROLLED DOCUMENT.		DWN	ZHANG WEI	20FEB2017	TE Connectivity NAME SPlicing WIRE CONNECTOR								
DIMENSIONS: mm 		CHK	SHI MING	20FEB2017									
		APVD	XU XIANG	20FEB2017									
TOLERANCES UNLESS OTHERWISE SPECIFIED: 0 PLC ± 1 1 PLC ± 1 2 PLC ± 1 3 PLC ± 1 4 PLC ± 1 ANGLES ± 5		PRODUCT SPEC	108-137271					SIZE	CAGE CODE	DRAWING NO	RESTRICTED TO		
MATERIAL		FINISH		APPLICATION SPEC	114-137271		WEIGHT	3.28g	A3	00779	C-2834245	-	
CUSTOMER DRAWING				SCALE		2:1		SHEET		2 OF 4		REV	B

THIS DRAWING IS UNPUBLISHED. RELEASED FOR PUBLICATION
 © COPYRIGHT - By - ALL RIGHTS RESERVED.

REVISIONS					
P	LTR	DESCRIPTION	DATE	DWN	APVD
-	-	SEE SHEET 1	-	-	-



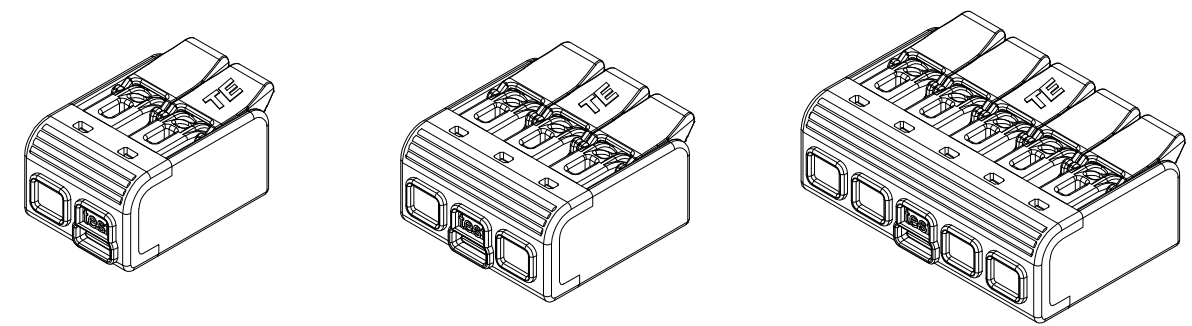
- NOTE:
- PART NUMBER: SEE TABLE.
 - MATERIAL:
HOUSING: THERMALPLASTIC UL94-V2.
CONTACT: BRASS & STAINLESS STEEL SPRING.
 - FINISH
TERMINAL: TIN PLATED BRASS.
 - PACKAGING: PLASTIC BAG.
 - APPLICABLE WIRE:
VDE: 0.2-4.0MM² SOLID & STRAND WIRE.
UL: 24-14AWG SOLID & STRAND WIRE.
- △ LOGO MARK APPROXIMATION LOCATION.

5-2834245-1	GREEN
PART NUMBER	PART COLOR

THIS DRAWING IS A CONTROLLED DOCUMENT.		DWN ZHANG WEI 20FEB2017	TE Connectivity NAME SPlicing WIRE CONNECTOR PRODUCT SPEC 108-137271 APPLICATION SPEC 114-137271											
DIMENSIONS: mm		CHK SHI MING 20FEB2017												
TOLERANCES UNLESS OTHERWISE SPECIFIED:		APVD XU XIANG 20FEB2017												
<table border="1"> <tr> <td>0 PLC</td> <td>± 1</td> </tr> <tr> <td>1 PLC</td> <td>± 1</td> </tr> <tr> <td>2 PLC</td> <td>± 1</td> </tr> <tr> <td>3 PLC</td> <td>± 1</td> </tr> <tr> <td>4 PLC</td> <td>± 1</td> </tr> <tr> <td>ANGLES</td> <td>± 5</td> </tr> </table>		0 PLC				± 1	1 PLC	± 1	2 PLC	± 1	3 PLC	± 1	4 PLC	± 1
0 PLC	± 1													
1 PLC	± 1													
2 PLC	± 1													
3 PLC	± 1													
4 PLC	± 1													
ANGLES	± 5													
MATERIAL		PRODUCT SPEC	SIZE	CAGE CODE	DRAWING NO	RESTRICTED TO								
-		FINISH	108-137271	A300779	C-2834245	-								
-		FINISH	114-137271	G=2834245		-								
CUSTOMER DRAWING			WEIGHT	SCALE		SHEET								
-			5.22g	2:1		3 OF 4								
			REV		B									

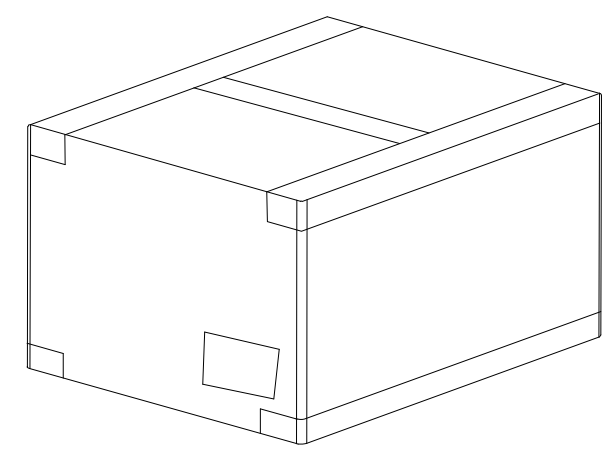
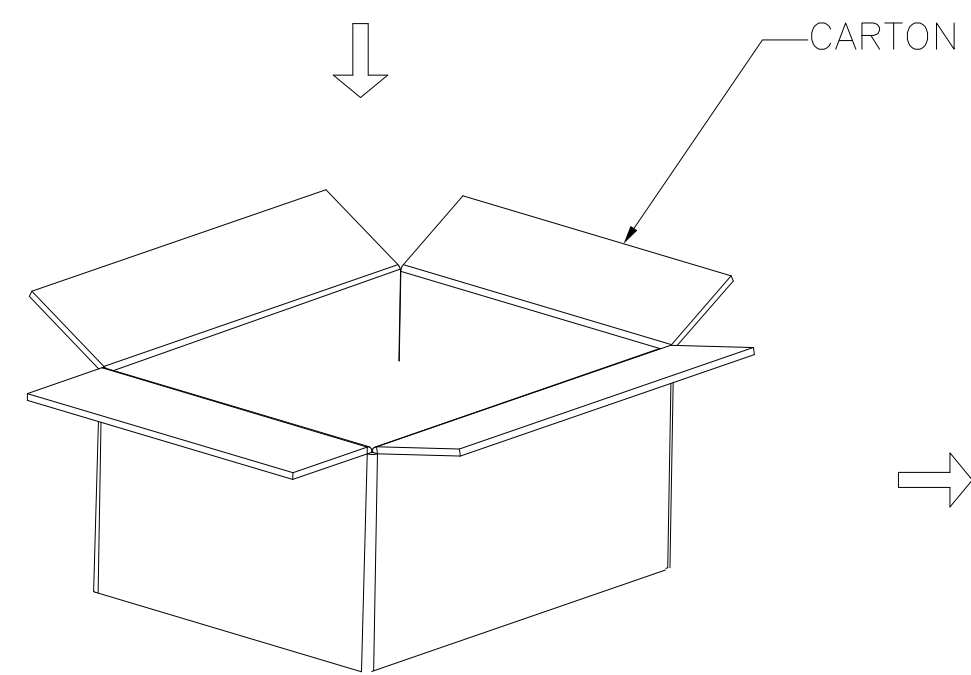
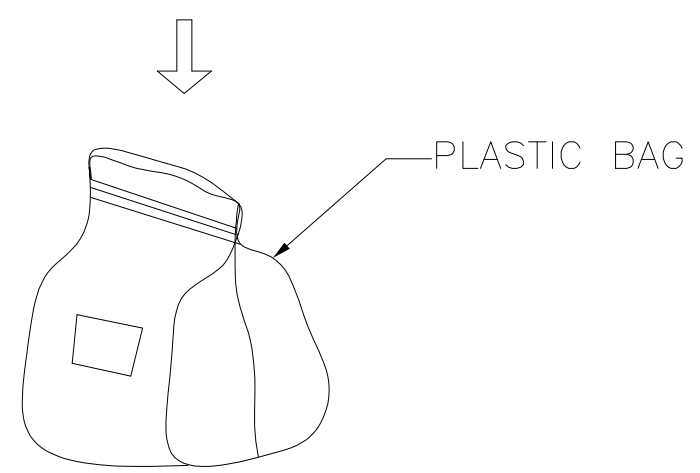
THIS DRAWING IS UNPUBLISHED. RELEASED FOR PUBLICATION
 © COPYRIGHT - By - ALL RIGHTS RESERVED.


REVISIONS					
P	LTR	DESCRIPTION	DATE	DWN	APVD
-	-	SEE SHEET 1	-	-	-



NOTE:
 1.PACKAGING QUANTITY: SEE TABLE.
 2.PACKAGING SPEC: 107-137271.

PART NUMBER	PAIRS PER BAG	BAGS PER CARTON	PAIRS PER CARTON
2-2834245-1	200	20	4000
3-2834245-1	150	20	3000
5-2834245-1	100	20	2000



THIS DRAWING IS A CONTROLLED DOCUMENT.		DWN ZHANG WEI 20FEB2017	 TE Connectivity			
DIMENSIONS: mm		CHK SHI MING 20FEB2017				NAME
TOLERANCES UNLESS OTHERWISE SPECIFIED:		APVD XU XIANG 20FEB2017	SPlicing WIRE CONNECTOR			
0 PLC ± 1 1 PLC ± 1 2 PLC ± 1 3 PLC ± 1 4 PLC ± 1 ANGLES ± 5		PRODUCT SPEC 108-137271	-			
MATERIAL		APPLICATION SPEC 114-137271	SIZE	CAGE CODE	DRAWING NO	RESTRICTED TO
FINISH		WEIGHT	A3	00779	C-2834245	-
CUSTOMER DRAWING			SCALE	SHEET	REV	
			-	4 OF 4	B	