



Chipsmall Limited consists of a professional team with an average of over 10 year of expertise in the distribution of electronic components. Based in Hongkong, we have already established firm and mutual-benefit business relationships with customers from,Europe,America and south Asia,supplying obsolete and hard-to-find components to meet their specific needs.

With the principle of "Quality Parts,Customers Priority,Honest Operation,and Considerate Service",our business mainly focus on the distribution of electronic components. Line cards we deal with include Microchip,ALPS,ROHM,Xilinx,Pulse,ON,Everlight and Freescale. Main products comprise IC,Modules,Potentiometer,IC Socket,Relay,Connector.Our parts cover such applications as commercial,industrial, and automotives areas.

We are looking forward to setting up business relationship with you and hope to provide you with the best service and solution. Let us make a better world for our industry!



Contact us

Tel: +86-755-8981 8866 Fax: +86-755-8427 6832

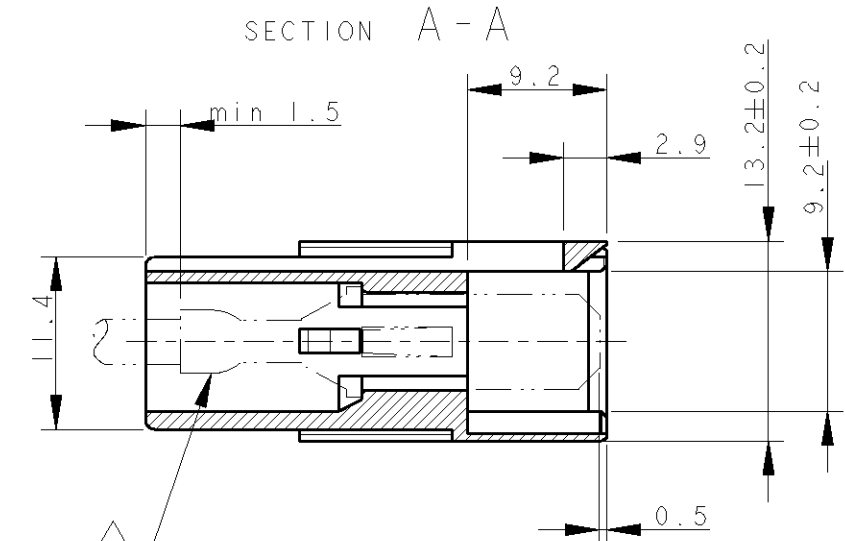
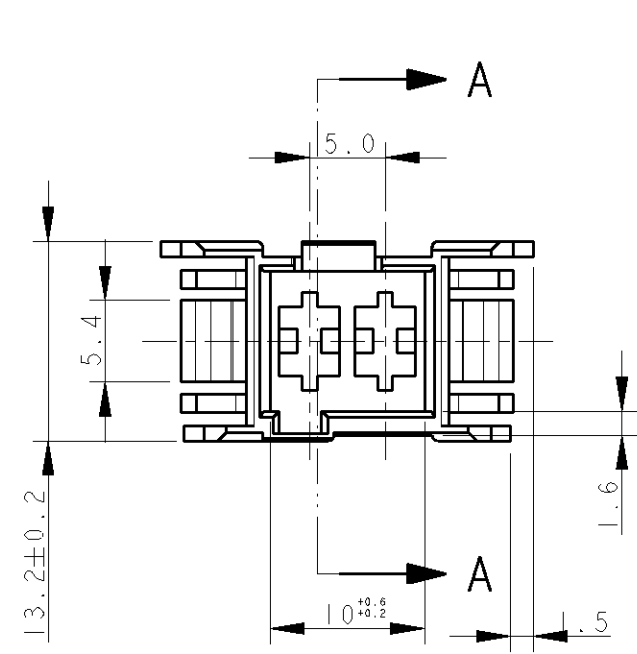
Email & Skype: info@chipsmall.com Web: www.chipsmall.com

Address: A1208, Overseas Decoration Building, #122 Zhenhua RD., Futian, Shenzhen, China



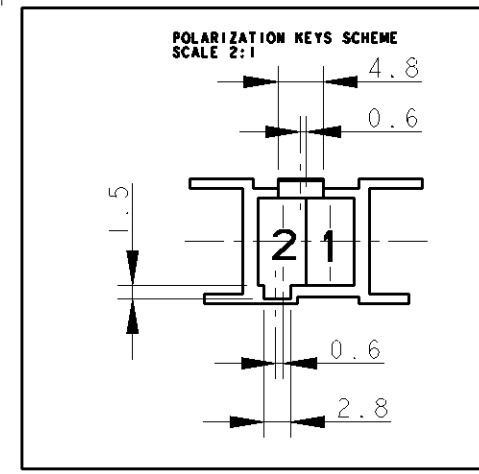
THIS DRAWING IS UNPUBLISHED. RELEASED FOR PUBLICATION 2004
 © COPYRIGHT 2004 BY TYCO ELECTRONICS CORPORATION. ALL RIGHTS RESERVED.

LOC	DIST	REVISIONS				
P	LTR	DESCRIPTION	DATE	DWN	APVD	
1	-	A	FIRST ISSUE, ET00-0142-04	24 JUN 2004	HY	GT
		A1	UPDATED, ET00-0201-04	19 OCT 2004	CT	GT
		A2	UPDATED, ET00-0031-05	01 FEB 2005	HY	GT
		B	RELEASED, ET00-0052-05	21 FEB 2005	HY	GT



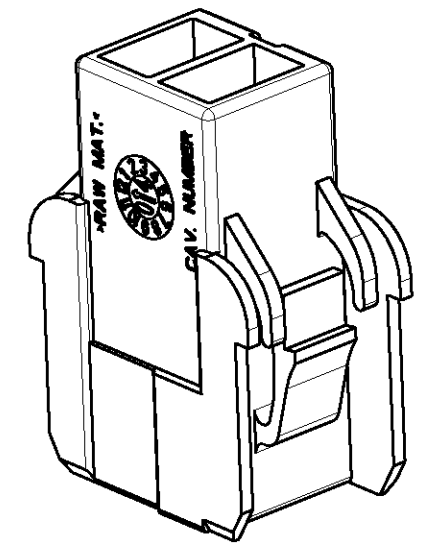
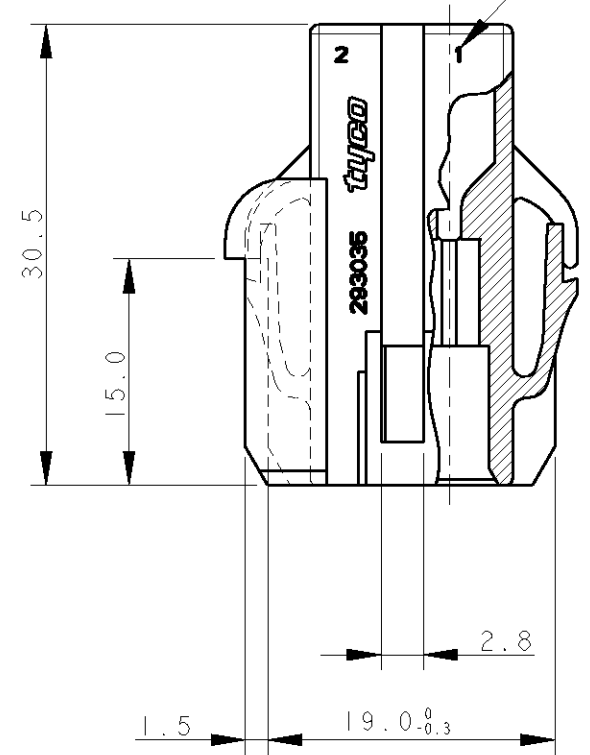
1 TYPICAL CAVITY SUITABLE FOR:
 FASTIN-FASTON TAB CONTACTS 6.3 mm SRS:
 P/N: 60294, 0.3-0.8 mm² WIRE RANGE
 160691, 0.3-0.8 mm² WIRE RANGE
 AMPLIVAR CONTACTS:
 P/N: 141051, 0.1-0.5 mm² WIRE RANGE
 142411, 0.3-1.6 mm² WIRE RANGE
 MAX. INSULATION DIA. 2.8 mm,
 MAX. INSULATION CRIMP WIDTH 3.3 mm.

2) PA6 UNFILLED, UL 94-V2, NATURE COLOUR, VIRGIN MATERIAL (750°C NO FLAME)
 3) PA66 UNFILLED, UL 94-V2, NATURAL COLOUR, VIRGIN MATERIAL

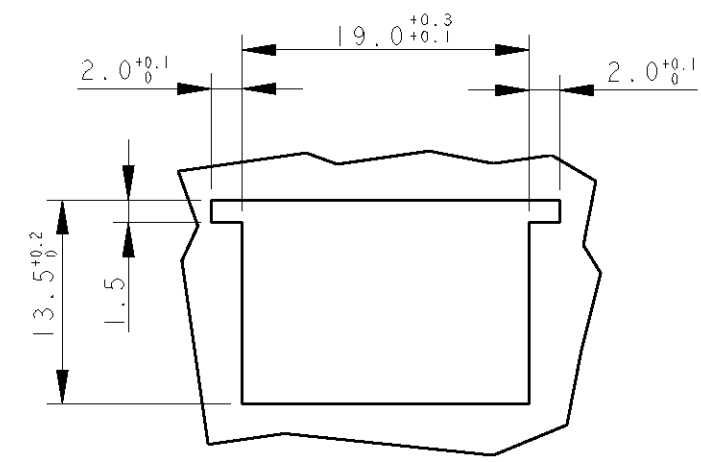


4 TYCO TRADEMARK "LOGO" AND TYCO ELECTRONICS "PART NUMBER" OPTIONAL POSITION.
 5 CIRCUIT IDENTIFICATION NUMBERS, 1 TO 2
 6 POLARIZATION KEYS DIMENSIONS AND POSITIONS ARE ACCORDING TO "RAST 5" NORM
 SIMILAR TO P/N 1241969-2 and P/N 927742-2 AS POLARIZATION KEYS

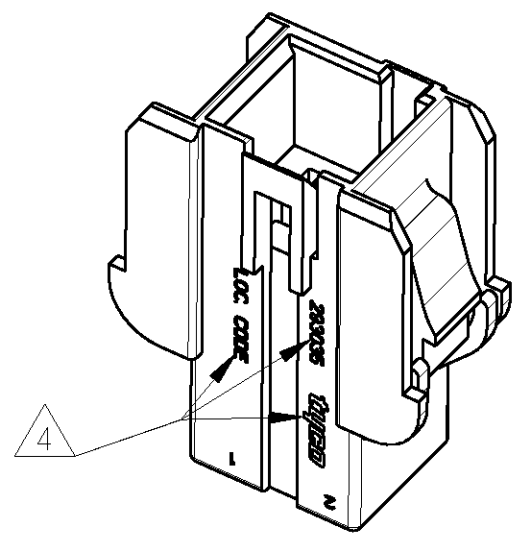
SECTION B-B



PANEL MOUNT DIMENSIONS
 THICKNESS 0.8-1.0 mm



NATURALE (NATUR)	VEDI NOTA 3 (SEE NOTE 3)	5-293035-2	B
NATURALE (NATUR)	VEDI NOTA 2 (SEE NOTE 2)	0-293035-2	B
COLORE (COLOUR)	MATERIALE (MATERIAL)	NUMERO (TYCO P/N)	REV



THIS DRAWING IS A CONTROLLED DOCUMENT FOR TYCO ELECTRONICS CORPORATION IT IS SUBJECT TO CHANGE AND THE CONTROLLING ENGINEERING ORGANIZATION SHOULD BE CONTACTED FOR THE LATEST REVISION.

DIMENSIONS:	TOLERANCES UNLESS OTHERWISE SPECIFIED:
mm	
0 PLC	±
1 PLC	±0.3
2 PLC	±
3 PLC	±
4 PLC	±
ANGLES	±1°
MATERIAL	SEE TABLE
FINISH	-

DWN	16JUN2004
A. Vecchia	
CHK	16JUN2004
A. Vecchia	
APVD	16JUN2004
G. Turco	
PRODUCT SPEC	-
APPLICATION SPEC	-
WEIGHT	-
CUSTOMER DRAWING	

tyco Electronics		tyco Electronics AMP Italia S.p.A. 10093 Collegno TO	
NAME 2 POS. FASTIN-FASTON Conn. TAB HOUSING, "RAST 5"			
SIZE	CAGE CODE	DRAWING NO	RESTRICTED TO
A3	00779	C=293035	-
SCALE 2:1		SHEET 1	OF 1
		REV	B