



Chipsmall Limited consists of a professional team with an average of over 10 year of expertise in the distribution of electronic components. Based in Hongkong, we have already established firm and mutual-benefit business relationships with customers from,Europe,America and south Asia,supplying obsolete and hard-to-find components to meet their specific needs.

With the principle of “Quality Parts,Customers Priority,Honest Operation,and Considerate Service”,our business mainly focus on the distribution of electronic components. Line cards we deal with include Microchip,ALPS,ROHM,Xilinx,Pulse,ON,Everlight and Freescale. Main products comprise IC,Modules,Potentiometer,IC Socket,Relay,Connector.Our parts cover such applications as commercial,industrial, and automotives areas.

We are looking forward to setting up business relationship with you and hope to provide you with the best service and solution. Let us make a better world for our industry!



Contact us

Tel: +86-755-8981 8866 Fax: +86-755-8427 6832

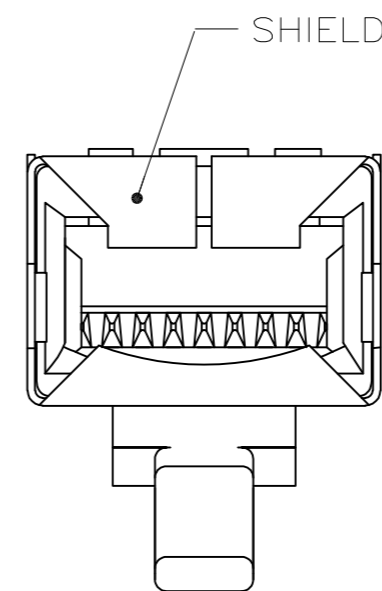
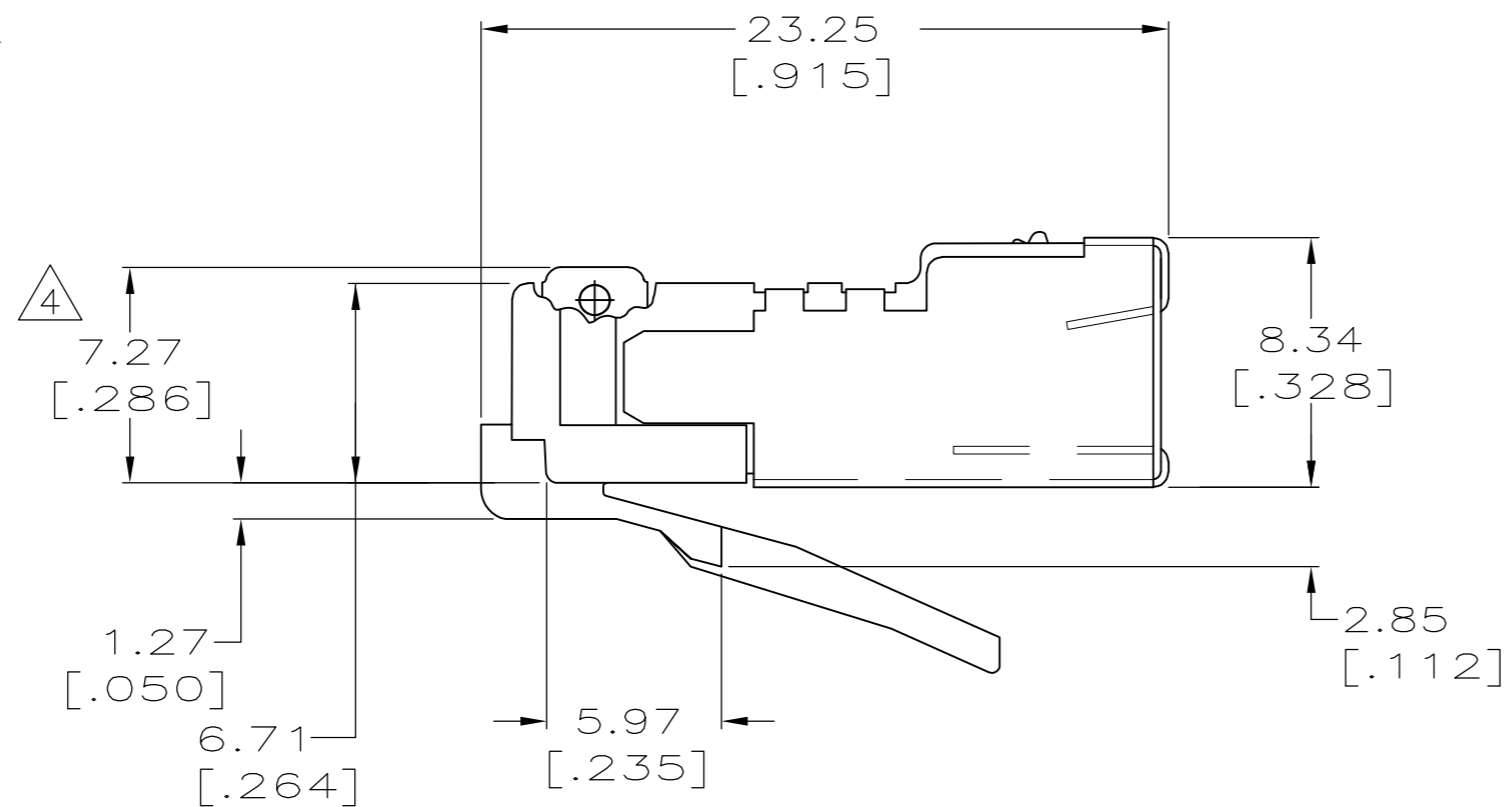
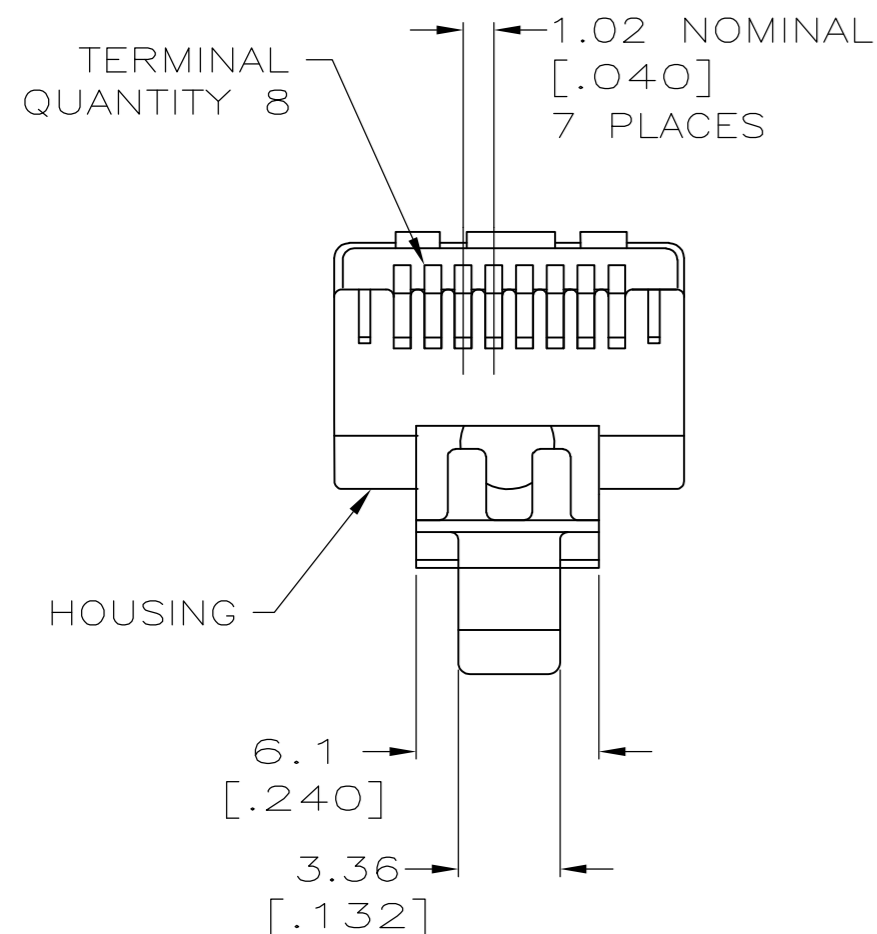
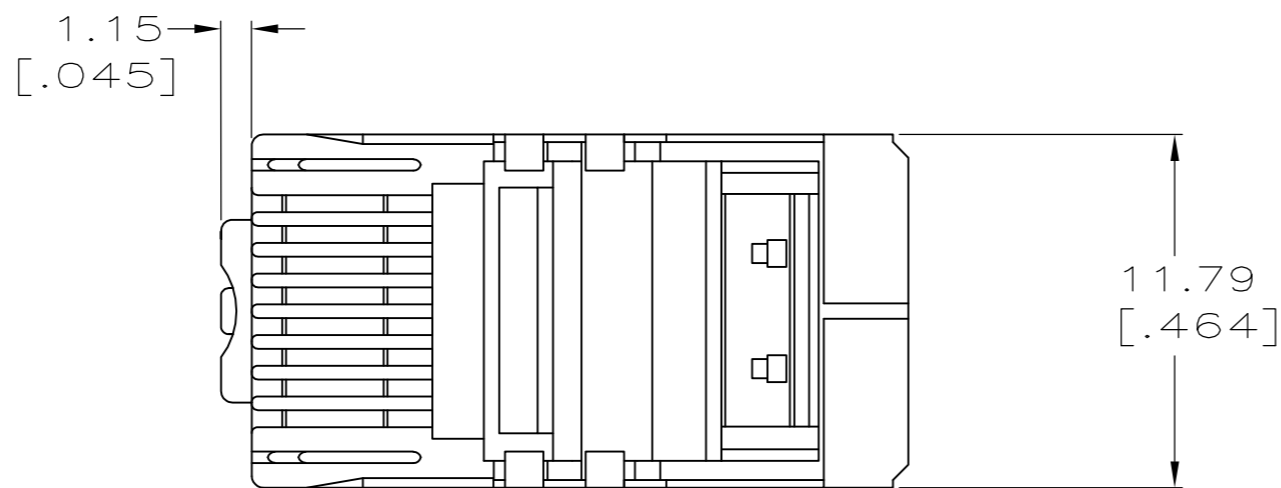
Email & Skype: info@chipsmall.com Web: www.chipsmall.com

Address: A1208, Overseas Decoration Building, #122 Zhenhua RD., Futian, Shenzhen, China



THIS DRAWING IS UNPUBLISHED. RELEASED FOR PUBLICATION
 © COPYRIGHT - By - ALL RIGHTS RESERVED.

LOC	DIST	REVISIONS			
P	LTR	DESCRIPTION	DATE	DWN	APVD
HM	00	D	REV PER ECO-12-012703	10JULY12	JB JG



- 1 DIMENSIONS ARE MAXIMUM UNLESS OTHERWISE SPECIFIED.
- 2 MATERIAL: HOUSING-POLYCARBONATE, BLUE
 TERMINAL- PHOSPHOR BRONZE, PLATED WITH 1.27µm [.000050] MINIMUM THICK GOLD IN LOCALIZED GOLD PLATE AREA OVER 2.54µm [.000100] MINIMUM THICK NICKEL UNDERPLATE.
 SHIELD - COPPER ALLOY WITH 1.27µm [.000050] MINIMUM SEMI-BRIGHT (SATIN) NICKEL.
- 3. PLUG WILL ACCEPT 26 OR 28 AWG SOLID WIRE, 0.74-0.86 [.029-.034] DIAMETER, WITH A 5.08 [.200] DIAMETER MAXIMUM JACKET.
- 4 TERMINATED DIMENSION 6.15 [.242] MAXIMUM.
- 5 PACKAGED 500 ASSEMBLIES PER CARTON.
- 6 PACKAGED 100 ASSEMBLIES PER BOX.

6	5-406347-3
5	5-406347-2
PACKAGED	PART NUMBER

THIS DRAWING IS A CONTROLLED DOCUMENT.		DWN	L. HALL	25OCT2006		TE Connectivity			
DIMENSIONS: mm [INCHES]		CHK	C. DOOLEY	30OCT2006		NAME			
TOLERANCES UNLESS OTHERWISE SPECIFIED:		APVD	C. DOOLEY	30OCT2006		PRODUCT SPEC			
0 PLC ± - 1 PLC ± - 2 PLC ± - 3 PLC ± - 4 PLC ± - ANGLES ± - FINISH -2		108-1163 APPLICATION SPEC 114-6016 WEIGHT -		MODULAR PLUG ASSEMBLY, 8 POSITION, SHIELDED, SMALL CONDUCTOR, ROUND CABLE, SOLID WIRE					
MATERIAL		SIZE	A2	CAGE CODE	00779	DRAWING NO	C=406347		RESTRICTED TO
CUSTOMER DRAWING		SCALE	4:1		SHEET	1 of 1		REV	D