



Chipsmall Limited consists of a professional team with an average of over 10 year of expertise in the distribution of electronic components. Based in Hongkong, we have already established firm and mutual-benefit business relationships with customers from,Europe,America and south Asia,supplying obsolete and hard-to-find components to meet their specific needs.

With the principle of “Quality Parts,Customers Priority,Honest Operation,and Considerate Service”,our business mainly focus on the distribution of electronic components. Line cards we deal with include Microchip,ALPS,ROHM,Xilinx,Pulse,ON,Everlight and Freescale. Main products comprise IC,Modules,Potentiometer,IC Socket,Relay,Connector.Our parts cover such applications as commercial,industrial, and automotives areas.

We are looking forward to setting up business relationship with you and hope to provide you with the best service and solution. Let us make a better world for our industry!



Contact us

Tel: +86-755-8981 8866 Fax: +86-755-8427 6832

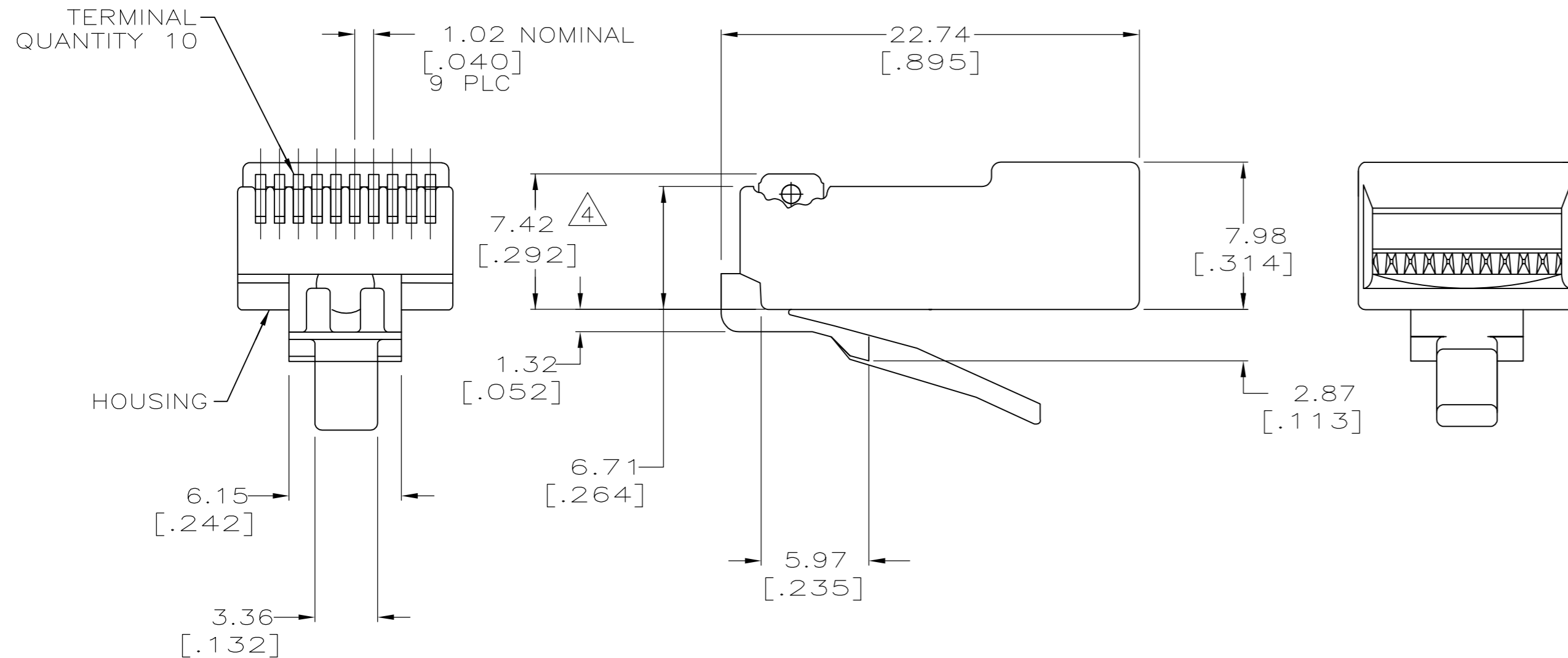
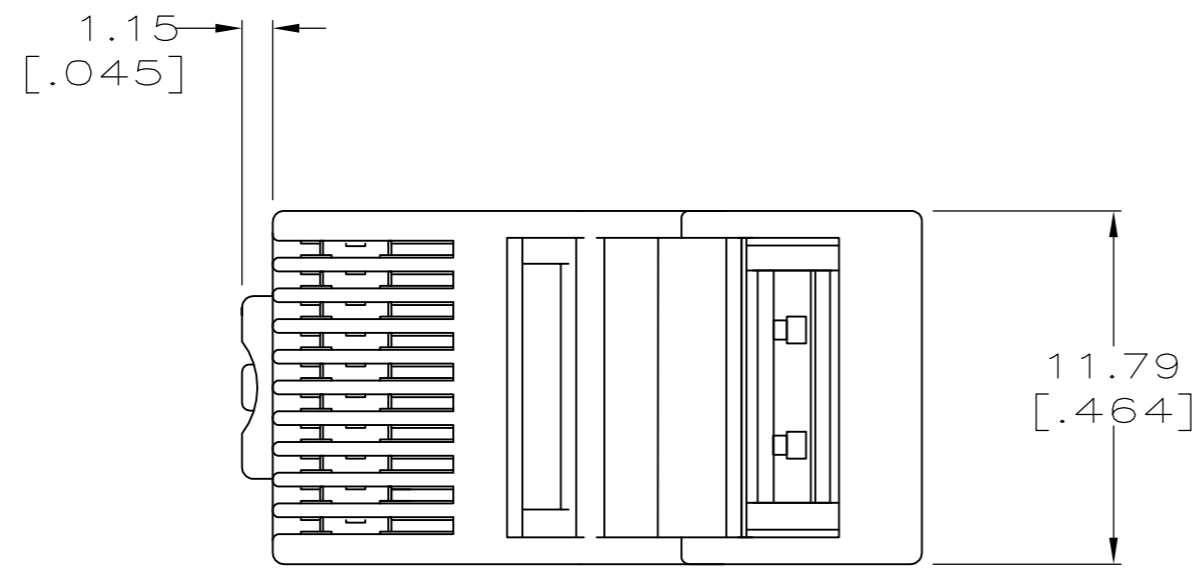
Email & Skype: info@chipsmall.com Web: www.chipsmall.com

Address: A1208, Overseas Decoration Building, #122 Zhenhua RD., Futian, Shenzhen, China



THIS DRAWING IS UNPUBLISHED. RELEASED FOR PUBLICATION
 © COPYRIGHT - By - ALL RIGHTS RESERVED.

LOC	DIST	REVISIONS					
HM	00	P	LTR	DESCRIPTION	DATE	DWN	APVD
		B		REV PER ECO-12-012918	03JUL2012	JM	JG



- $\triangle 1$ DIMENSIONS ARE MAXIMUM UNLESS OTHERWISE SPECIFIED.
- $\triangle 2$ MATERIAL: HOUSING - POLYCARBONATE, BLUE
 TERMINAL - PHOSPHOR BRONZE, PLATED WITH 1.27 μm [.000050] MINIMUM THICK GOLD IN LOCALIZED GOLD PLATE AREA, OVER 2.54 μm [.000100] MINIMUM THICK NICKEL UNDERPLATE.
- 3. PLUG WILL ACCEPT 26 OR 28 AWG STRANDED WIRE, 0.74-0.85 [.029-.034] DIAMETER, WITH A 4.30 [.170] DIAMETER JACKET.
- $\triangle 4$ TERMINATED DIMENSION 6.02 \pm .127 [.237 \pm .005] PER FCC REQUIREMENTS.
- $\triangle 5$ 500 ASSEMBLIES PER PACKAGE.

406938

$\triangle 5$	5-406938-2
PACKAGED	PART NUMBER

THIS DRAWING IS A CONTROLLED DOCUMENT.		DWN DL DRUMMOND 19 APR 99			NAME																			
DIMENSIONS: mm [INCHES]		CHK DL DRUMMOND 19 APR 99			TE Connectivity																			
TOLERANCES UNLESS OTHERWISE SPECIFIED:		APVD DL KEMPKA 19 APR 99			MODULAR PLUG ASSEMBLY, 10 POSITION, SMALL ROUND CABLE, SMALL CONDUCTOR, STRANDED WIRE																			
<table border="1"> <tr><td>0 PLC</td><td>\pm</td><td>-</td></tr> <tr><td>1 PLC</td><td>\pm</td><td>-</td></tr> <tr><td>2 PLC</td><td>\pm</td><td>-</td></tr> <tr><td>3 PLC</td><td>\pm</td><td>-</td></tr> <tr><td>4 PLC</td><td>\pm</td><td>-</td></tr> <tr><td>ANGLES</td><td>\pm</td><td>-</td></tr> </table>		0 PLC			\pm	-	1 PLC	\pm	-	2 PLC	\pm	-	3 PLC	\pm	-	4 PLC	\pm	-	ANGLES	\pm	-	PRODUCT SPEC 108-1163	SIZE A2	CAGE CODE 00779
0 PLC	\pm	-																						
1 PLC	\pm	-																						
2 PLC	\pm	-																						
3 PLC	\pm	-																						
4 PLC	\pm	-																						
ANGLES	\pm	-																						
MATERIAL $\triangle 2$	FINISH $\triangle 2$	APPLICATION SPEC 114-6016	WEIGHT -	CUSTOMER DRAWING		SCALE 4:1	SHEET 1 of 1	REV B																