



Chipsmall Limited consists of a professional team with an average of over 10 year of expertise in the distribution of electronic components. Based in Hongkong, we have already established firm and mutual-benefit business relationships with customers from,Europe,America and south Asia,supplying obsolete and hard-to-find components to meet their specific needs.

With the principle of “Quality Parts,Customers Priority,Honest Operation,and Considerate Service”,our business mainly focus on the distribution of electronic components. Line cards we deal with include Microchip,ALPS,ROHM,Xilinx,Pulse,ON,Everlight and Freescale. Main products comprise IC,Modules,Potentiometer,IC Socket,Relay,Connector.Our parts cover such applications as commercial,industrial, and automotives areas.

We are looking forward to setting up business relationship with you and hope to provide you with the best service and solution. Let us make a better world for our industry!



Contact us

Tel: +86-755-8981 8866 Fax: +86-755-8427 6832

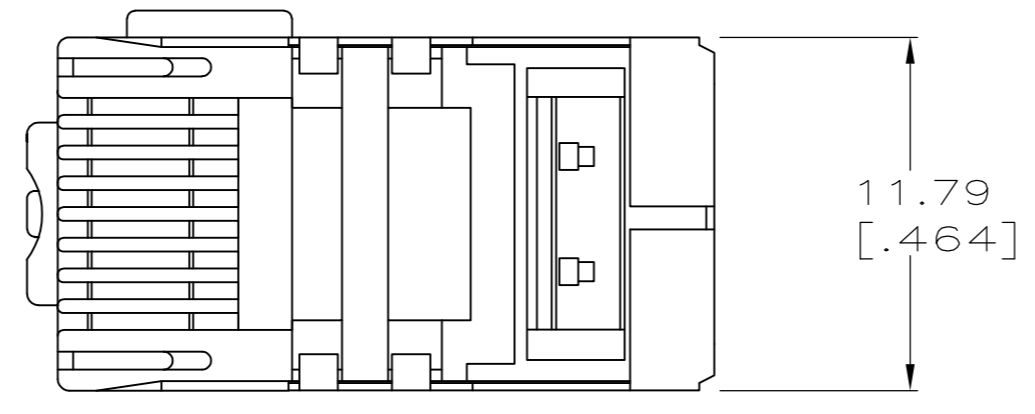
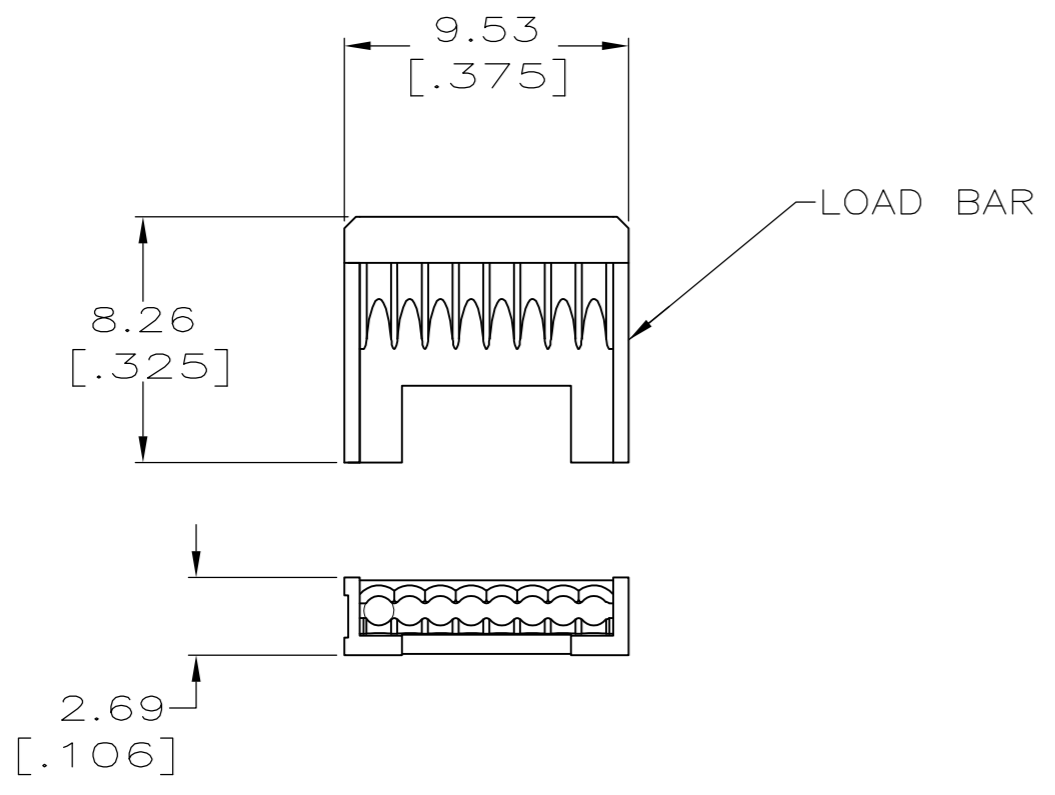
Email & Skype: info@chipsmall.com Web: www.chipsmall.com

Address: A1208, Overseas Decoration Building, #122 Zhenhua RD., Futian, Shenzhen, China

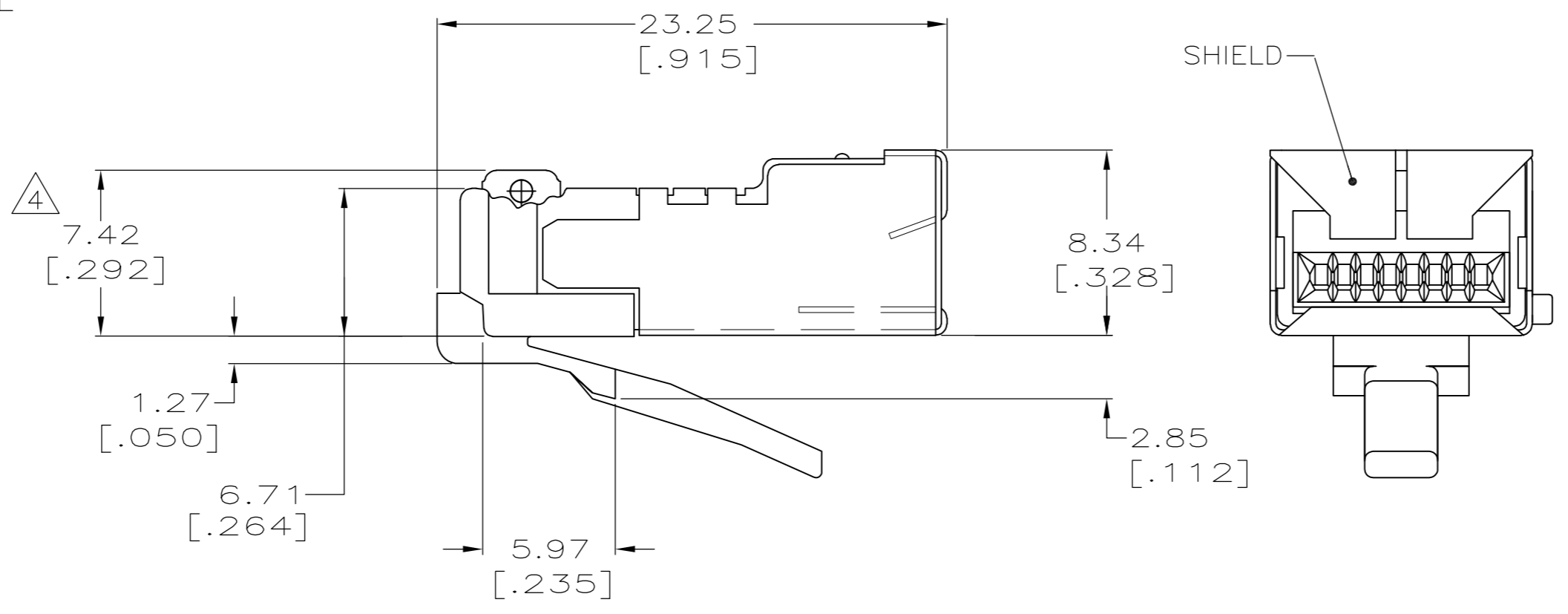
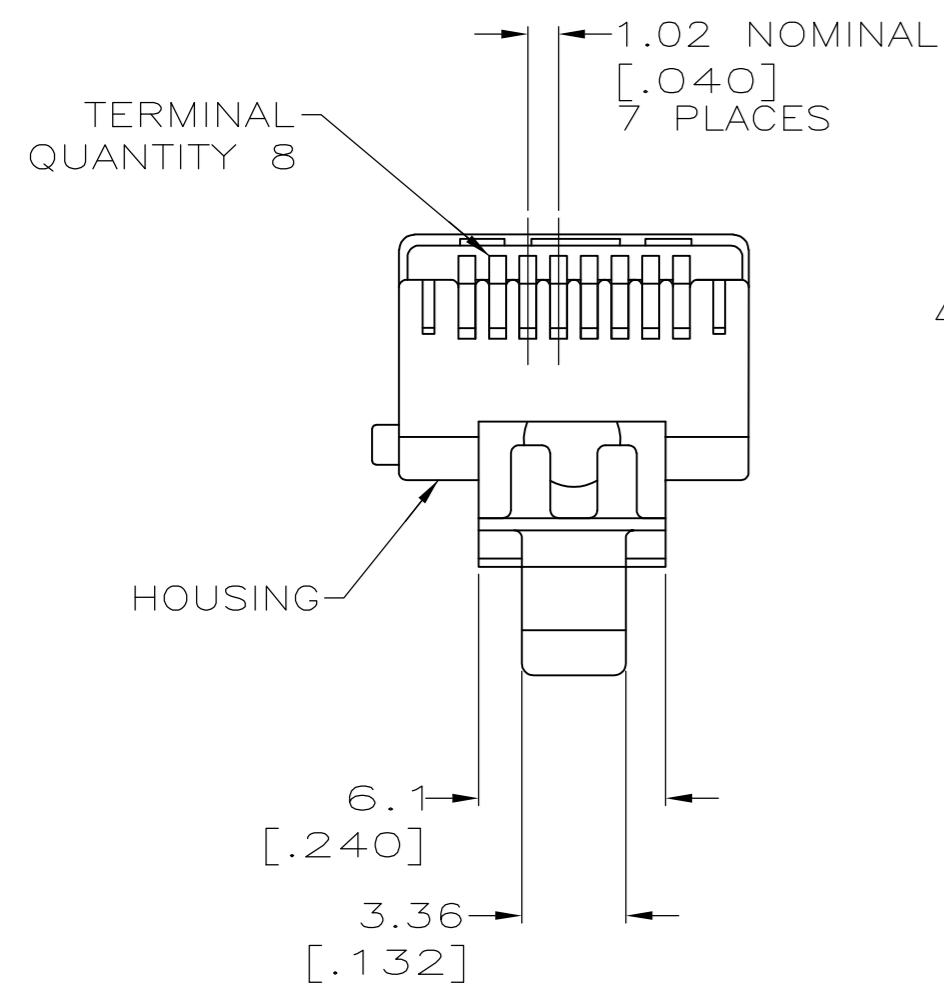


THIS DRAWING IS UNPUBLISHED. RELEASED FOR PUBLICATION
 © COPYRIGHT BY TYCO ELECTRONICS CORPORATION. ALL RIGHTS RESERVED.

LOC	DIST	REVISIONS					
HM	00	P	LTR	DESCRIPTION	DATE	DWN	APVD
		C		ECO-12-017274	09OCT2012	JM	JG



- ⚠ DIMENSIONS ARE MAXIMUM UNLESS OTHERWISE SPECIFIED.
- ⚠ MATERIAL: HOUSING – POLYCARBONATE, CLEAR. TERMINAL – PHOSPHOR BRONZ, PLATED WITH 1.27μm [.000050] MINIMUM THICK GOLD IN LOCALIZED GOLD PLATE AREA, OVER 2.54μm [.000100] MINIMUM THICK NICKEL UNDERPLATE. SHIELD – COPPER ALLOY PLATED WITH 1.27μm [.000050] MINIMUM SEMI-BRIGHT (SATIN) NICKEL. LOAD BAR – PBT POLYESTER, BLACK.
- 3. PLUG WILL ACCEPT A 24 OR 26 AWG STRANDED CONDUCTOR, PROVIDED THE INSULATED CONDUCTOR DIAMETER IS 0.89 [.035] TO 0.99 [.039] WITH A FOIL SHIELDED, PLIABLE, LOOSE CABLE JACKET OF 4.83 [.190] TO 5.33 [.210] DIAMETER OR A FOIL SHIELDED, RIGID, HARD CABLE JACKET OF 4.83 [.190] TO 5.08 [.200] DIAMETER.
- ⚠ TERMINATED DIMENSION 6.15 [.242] MAXIMUM.
- ⚠ PACKAGED 500 ASSEMBLIES AND 500 LOAD BARS PER CARTON.



⚠	5-406999-2
PACKAGED	PART NUMBER

THIS DRAWING IS A CONTROLLED DOCUMENT.		DWN	L. HALL	15MAR2005	Tyco Electronics Corporation Harrisburg, Pa 17105-3608								
DIMENSIONS: mm [INCHES]		CHK	C. DOOLEY	15MAR2005									
TOLERANCES UNLESS OTHERWISE SPECIFIED:		APVD	C. DOOLEY	15MAR2005									
0 PLC ± - 1 PLC ± - 2 PLC ± - ⚠ 3 PLC ± - 4 PLC ± - ANGLES ± - FINISH ⚠		PRODUCT SPEC	108-1163-2			NAME	MODULAR PLUG ASSEMBLY, 8 POSITION, SHIELDED, ROUND CABLE, STRANDED WIRE, HIGH PERFORMANCE, KEYED						
MATERIAL		APPLICATION SPEC	114-6053		SIZE	A2	CAGE CODE	00779	DRAWING NO	C=406999	RESTRICTED TO	-	
CUSTOMER DRAWING		WEIGHT	-		SCALE	4:1		SHEET	1	OF	1	REV	C