



Chipsmall Limited consists of a professional team with an average of over 10 year of expertise in the distribution of electronic components. Based in Hongkong, we have already established firm and mutual-benefit business relationships with customers from,Europe,America and south Asia,supplying obsolete and hard-to-find components to meet their specific needs.

With the principle of “Quality Parts,Customers Priority,Honest Operation,and Considerate Service”,our business mainly focus on the distribution of electronic components. Line cards we deal with include Microchip,ALPS,ROHM,Xilinx,Pulse,ON,Everlight and Freescale. Main products comprise IC,Modules,Potentiometer,IC Socket,Relay,Connector.Our parts cover such applications as commercial,industrial, and automotives areas.

We are looking forward to setting up business relationship with you and hope to provide you with the best service and solution. Let us make a better world for our industry!



## Contact us

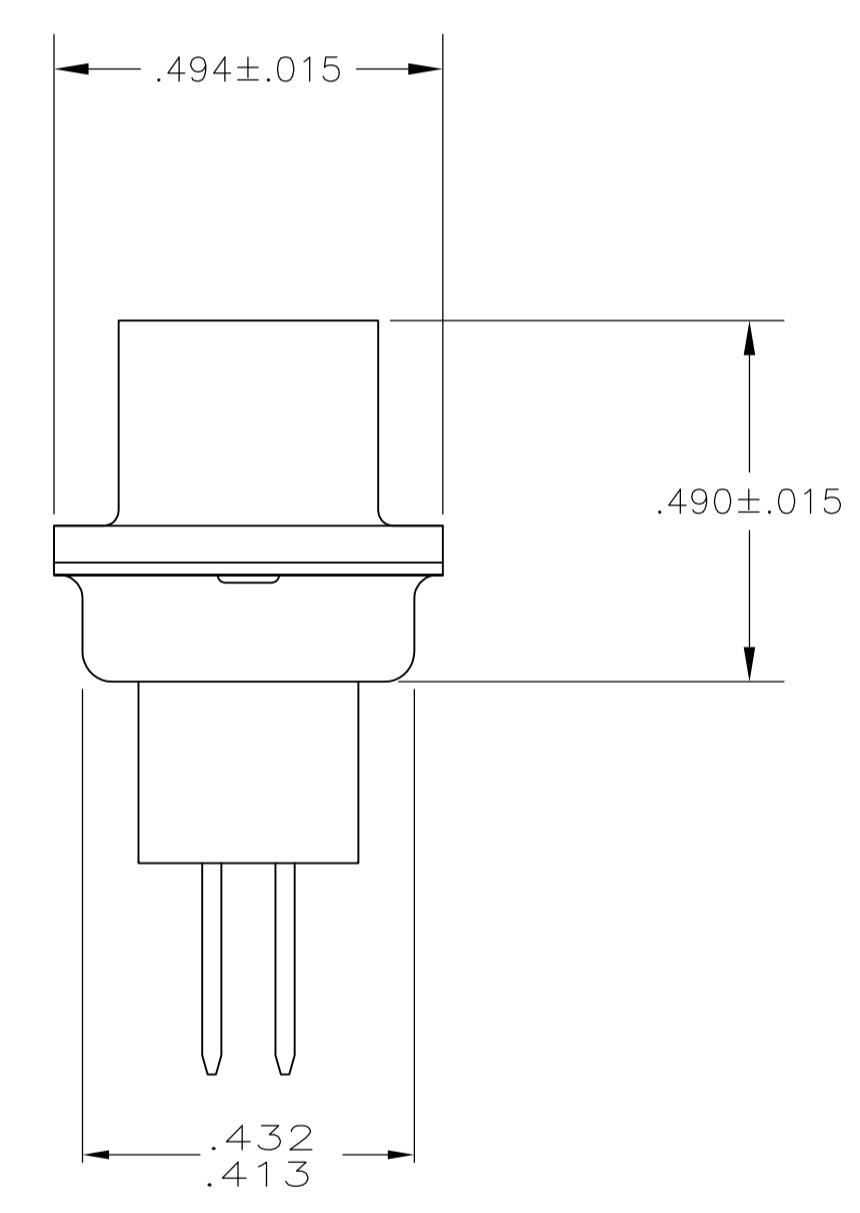
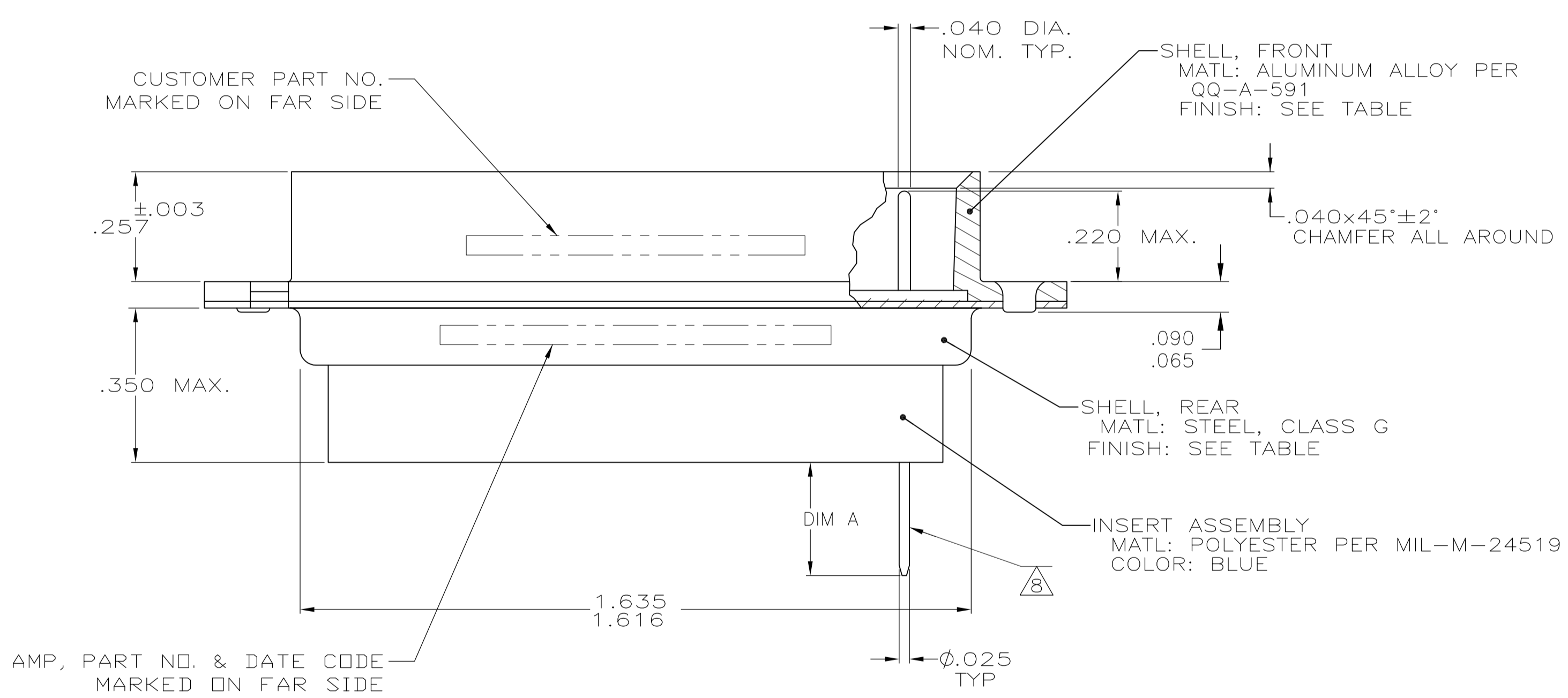
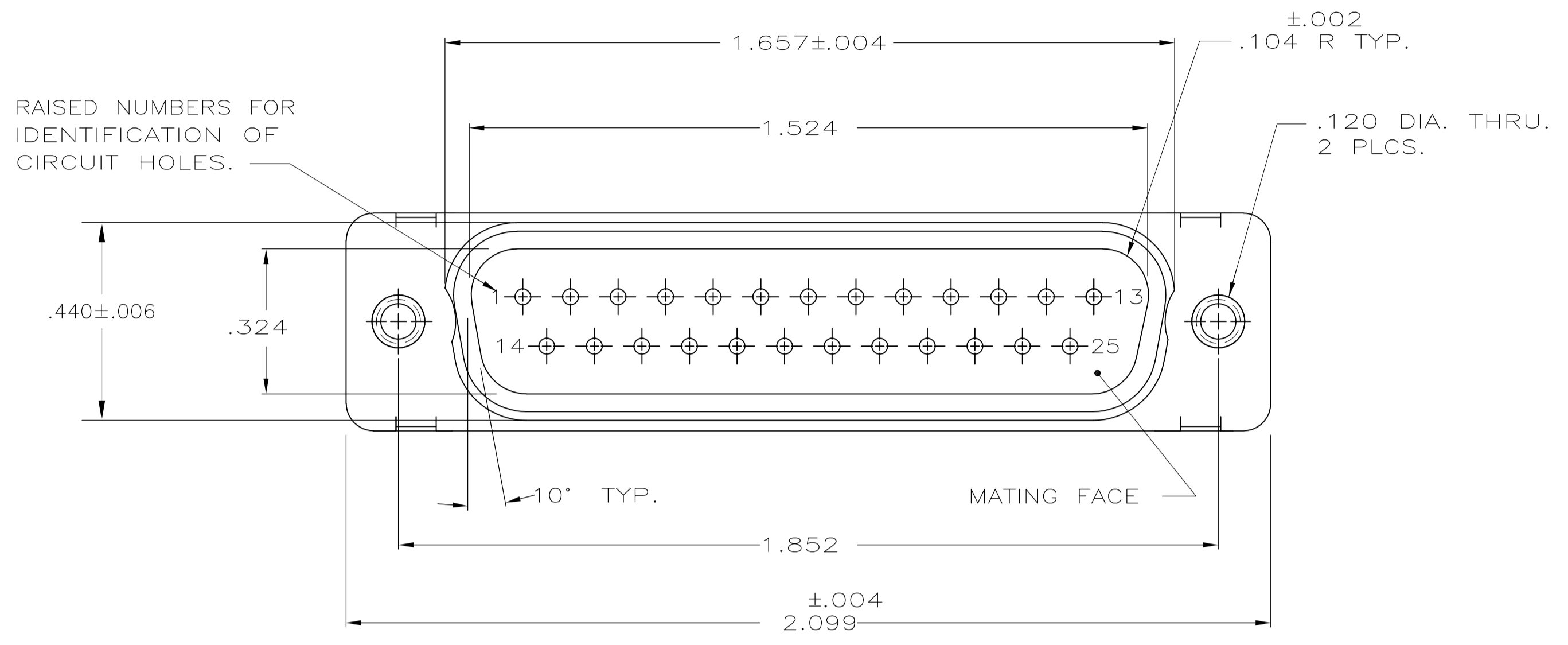
Tel: +86-755-8981 8866 Fax: +86-755-8427 6832

Email & Skype: info@chipsmall.com Web: www.chipsmall.com

Address: A1208, Overseas Decoration Building, #122 Zhenhua RD., Futian, Shenzhen, China



LOC		DIST		REVISIONS			
P	LTR	DESCRIPTION	DATE	DN	APVD		
R		REV PER ECO 10-022949	12-21-10	CT	RL		



1. THIS PLUG WILL MATE WITH ANY 25 POSN., SIZE 3 RECEPTACLE IN AMPLIMITE SERIES.
  2. MAXIMUM WIRE INSULATION TO BE USED WITH THIS PLUG IS .068 DIA.
  3. SST RETENTION CLIPS ARE INCLUDED IN INSERTS.
  4. THIS PLUG IS DESIGNED TO CONFORM TO THE LATEST ISSUE OF MIL-C-24308.
  5. 445007-1 & 5--1 SUPPLIED WITHOUT CONTACTS.
  6. 445007-1 WILL ACCEPT SIZE 20 DM PIN CONTACT M39029/64-369 OR ANY AMP SIZE 20 DF PIN CONTACT.
- 8 POSTED CONTACTS LOADED IN HOUSING OF 445007-2 .  
 9 25 EACH OF CONTACT #205089-1 INCLUDED WITH ASSEMBLY; PACKAGED SEPARATELY.  
 10 FINISH: CADMIUM PER QQ-P-416; YELLOW CHROMATE.  
 11 FINISH: ZINC PLATED PER ASTM-B-633 .000200 MIN THK WITH SUPPLEMENTARY CHROMATE (Cr3+).

SYMBOL	DESCRIPTION	PART NO
11	AS SHOWN EXCEPT 9	5-445007-1
10	AS SHOWN EXCEPT 9	445007-3
10	.365/.300 AS SHOWN	445007-2
10	AS SHOWN EXCEPT 9	445007-1

THIS DRAWING IS A CONTROLLED DOCUMENT.

DIMENSIONS: INCHES	TOLERANCES UNLESS OTHERWISE SPECIFIED:	0 PLC ± -	1 PLC ± -	2 PLC ± -	3 PLC ± .005	4 PLC ANGLES ± -
--------------------	----------------------------------------	-----------	-----------	-----------	--------------	------------------

APVD: F. BALLEW	DATE: 10-17-85	NAME: F. BALLEW	PRODUCT SPEC: APPLICATION SPEC
SIZE: A1	CAGE CODE: 00779	DRAWING NO: 445007	RESTRICTED TO: -

Tyco Electronics Corporation  
 Harrisburg, PA 17105-3608  
 PLUG ASSEMBLY, AMPLIMITE, 25 POSN., SIZE 3, SERIES 109, BLINDMATE  
 SCALE: 4:1 SHEET 1 OF 1 REV R